



---

## AVAILABLE ATTACHMENTS & ACCESSORIES

### Fits Models

PP-1200	Power Pruner
PP-1250	Power Pruner
PP-1260	Power Pruner
PP-1400	Power Pruner
PPFD-2400	Power Pruner
PPT-2100	Power Pruner
PPT-230	Power Pruner
PPT-231	Power Pruner
PPT-2400	Power Pruner
PPT-260	Power Pruner
PPT-261	Power Pruner

# PARTS CATALOG HEDGE CLIPPER ATTACHMENT

## Power Pruners

### MODEL: SERIAL NUMBERS

---

**99946400060:** - Hedge Clipper Attachment

---

## ***ECHO, INCORPORATED***

400 Oakwood Road Lake Zurich, Illinois 60047 USA

WWW.ECHO-USA.COM



# Table of Contents

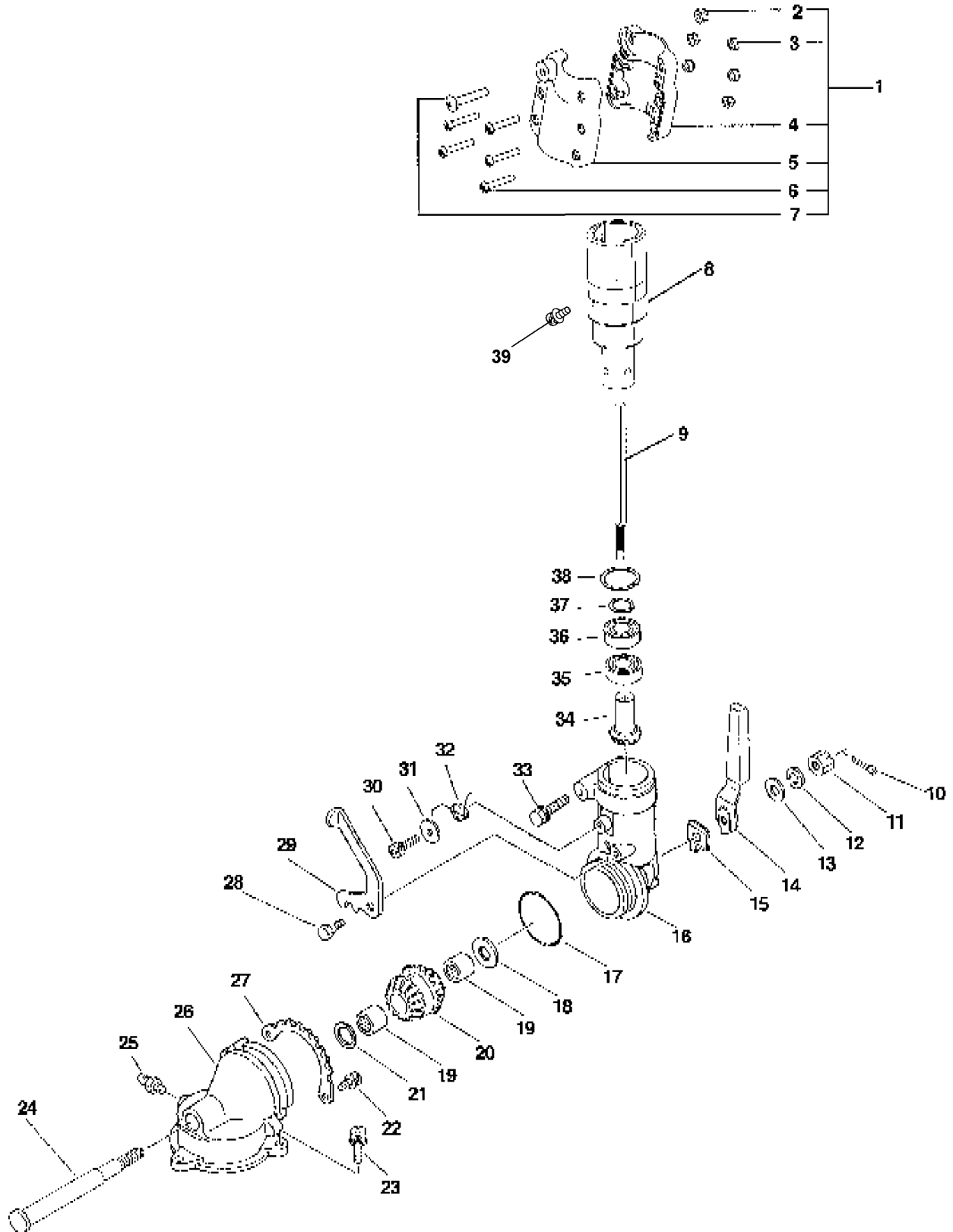
---

Click Any Diagram Description Below To View That Diagram.

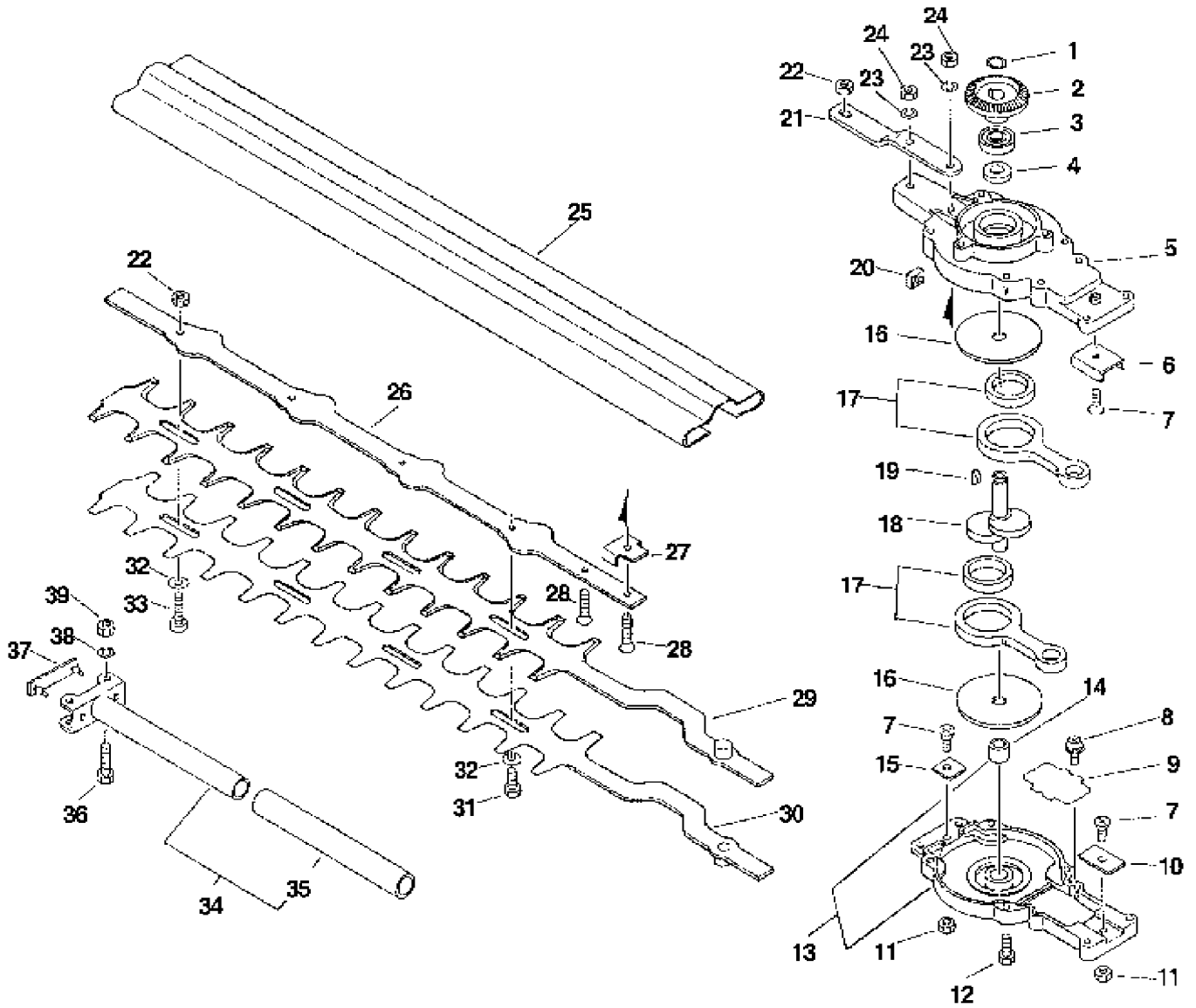
## **99946400060 - Hedge Clipper Attachment**

Articulating Gear Case, Tools.....	4
Gear Case, Blades.....	6
Part Number Index.....	8
Part Description Index.....	9

***This Page Intentionally Left Blank***



ITEM	PART NUMBER	QTY	DESCRIPTION	REMARKS
1	61029522260	1	CLAMP ASY, COMPRESSION	INCLUDES ITEMS 2 - 7
2	90003100100	1	NUT, LOCKING	
3	90003150100	5	NUT, LOCKING	
4	61028222360	1	CLAMP, COMPRESSION BOTTOM	
5	61028222460	1	CLAMP, COMPRESSION TOP	
6	90005300400	5	SCREW, TORX	
7	90006500300	1	SCREW, TRUSS	
8	35205326160	1	CONNECTOR	
9	61301126160	1	SHAFT, PINION	
10	90030016016	1	PIN, SPLIT 1.6X16	
11	90052900006	1	NUT, SLOTT 6	
12	90060500006	1	WASHER, SPRING 6	
13	40372007350	1	WASHER, SLUST	
14	19051112360	1	PIECE, LEVER	
15	61047812360	1	PLATE, ANGLE	
16	61041012361	1	GEAR CASE	
17	90072400032	1	O-RING 32	
18	10013206720	1	WASHER, THRUST	
19	10011311520	2	BEARING, NEEDLE	
20	61036112360	1	GEAR, BEVEL	
21	61031712360	1	WASHER, ADJUSTMENT	
22	90016204010	2	BOLT, H.S. 4X10	
23	90016205018	3	BOLT, H.S. 5X18	
24	61031012360	1	SHAFT, P.T.O.	
25	88011010860	2	NIPPLE, GREASE	
26	61043112360	1	LID, GEAR CASE	
27	61047012360	1	RESETTER, LATCH	
28	61047412360	1	BOLT 5	
29	61047212360	1	PAWL	
30	90016205014	1	BOLT, H.S. 5X14	
31	90060300005	1	WASHER 5	
32	17801312360	1	SPRING, THROTTLELOCK	
33	90014205035	1	BOLT 5X35	
34	61031126160	1	GEAR, DRIVE	
35	90085506900	1	BEARING, BALL 6900	
36	90085806900	1	BEARING, BALL 6900	
37	90070600010	1	CIRCLIP 10	
38	90070200022	1	CIRCLIP 22	
39	90024205010	1	SCREW, LOCATOR	



ITEM	PART NUMBER	QTY	DESCRIPTION	REMARKS
1	90070100010	1	CIRCLIP 10	
2	61031212360	1	GEAR, SPUR	
3	90080006000	1	BEARING, BALL 6000	
4	10021305930	1	OILSEAL	
5	61042012360	1	GEAR CASE	
6	61044154030	1	GUIDE	
7	90021204008	3	SCREW 4X8	
8	90024203006	4	SCREW 3X6	
9	61042454030	2	PLATE, SIDE	
10	61044754030	1	PLATE, EYE	
11	90050000004	2	NUT 4	
12	90014205020	4	BOLT 5X20	
13	61040954030	1	COVER ASY	INCLUDES ITEM 14
14	16061605410	1	BEARING, PLAIN	
15	61045054030	1	PLATE, GUIDE	
16	61046254030	2	PLATE, SIDE	
17	61080554030	2	ROD, CONNECTING	
18	61034412360	1	CAM	
19	61032502730	1	KEY, WOODRUFF	
20	61042654030	2	SEAL	
21	69911012360	1	SUPPORT, CUTTER	
22	43302206460	4	NUT	
23	90060500005	2	WASHER, SPRING 5	
24	90050000005	2	NUT 5	
25	89852312360	1	SCABBARD, BLADE	
26	69911712360	1	BAR, FRAME	
27	61044054030	1	PLATE, ANGLE	
28	90021205020	2	SCREW 5X20	
29	69700512360	1	CUTTER, UPPER	
30	69700612360	1	CUTTER, LOWER	
31	69911507760	1	BOLT, CUTTER	
32	69911804560	4	WASHER	
33	69911504560	3	BOLT, CUTTER	
34	35130512360	1	HANDLE	INCLUDES ITEM 35
35	35131512360	1	GRIP, HANDLE	
36	90014205025	2	BOLT, 5X25	
37	61042612360	1	SEAL	
38	90060500005	2	WASHER, SPRING 5	
39	90050000005	2	NUT 5	



# Part Number Index

Click The Page Number After Any Part Number To View The Diagram Containing That Part.

<u>Part Number</u>	<u>Page</u>	<u>Part Number</u>	<u>Page</u>
10011311520	.....5	90080006000	.....7
10013206720	.....5	90085506900	.....5
10021305930	.....7	90085806900	.....5
16061605410	.....7		
17801312360	.....5		
19051112360	.....5		
35130512360	.....7		
35131512360	.....7		
35205326160	.....5		
40372007350	.....5		
43302206460	.....7		
61028222360	.....5		
61028222460	.....5		
61029522260	.....5		
61031012360	.....5		
61031126160	.....5		
61031212360	.....7		
61031712360	.....5		
61032502730	.....7		
61034412360	.....7		
61036112360	.....5		
61040954030	.....7		
61041012361	.....5		
61042012360	.....7		
61042454030	.....7		
61042612360	.....7		
61042654030	.....7		
61043112360	.....5		
61044054030	.....7		
61044154030	.....7		
61044754030	.....7		
61045054030	.....7		
61046254030	.....7		
61047012360	.....5		
61047212360	.....5		
61047412360	.....5		
61047812360	.....5		
61080554030	.....7		
61301126160	.....5		
69700512360	.....7		
69700612360	.....7		
69911012360	.....7		
69911504560	.....7		
69911507760	.....7		
69911712360	.....7		
69911804560	.....7		
88011010860	.....5		
89852312360	.....7		
90003100100	.....5		
90003150100	.....5		
90005300400	.....5		
90006500300	.....5		
90014205020	.....7		
90014205025	.....7		
90014205035	.....5		
90016204010	.....5		
90016205014	.....5		
90016205018	.....5		
90021204008	.....7		
90021205020	.....7		
90024203006	.....7		
90024205010	.....5		
90030016016	.....5		
90050000004	.....7		
90050000005	.....7		
90052900006	.....5		
90060300005	.....5		
90060500005	.....7		
90060500006	.....5		
90070100010	.....7		
90070200022	.....5		
90070600010	.....5		
90072400032	.....5		





# Part Description Index

Click The Page Number After Any Part Description To View The Diagram Containing That Part.

## B

BAR, FRAME.....7  
 BEARING, BALL 6000.....7  
 BEARING, BALL 6900.....5  
 BEARING, NEEDLE.....5  
 BEARING, PLAIN.....7  
 BOLT 5.....5  
 BOLT 5X20.....7  
 BOLT 5X35.....5  
 BOLT, 5X25.....7  
 BOLT, CUTTER.....7  
 BOLT, H.S. 4X10.....5  
 BOLT, H.S. 5X14.....5  
 BOLT, H.S. 5X18.....5

## C

CAM.....7  
 CIRCLIP 10.....5, 7  
 CIRCLIP 22.....5  
 CLAMP ASY, COMPRESSION.....5  
 CLAMP, COMPRESSION BOTTOM.....5  
 CLAMP, COMPRESSION TOP.....5  
 CONNECTOR.....5  
 COVER ASY.....7  
 CUTTER, LOWER.....7  
 CUTTER, UPPER.....7

## G

GEAR CASE.....5, 7  
 GEAR, BEVEL.....5  
 GEAR, DRIVE.....5  
 GEAR, SPUR.....7  
 GRIP, HANDLE.....7  
 GUIDE.....7

## H

HANDLE.....7

## K

KEY, WOODRUFF.....7

## L

LID, GEAR CASE.....5

## N

NIPPLE, GREASE.....5  
 NUT.....7  
 NUT 4.....7  
 NUT 5.....7  
 NUT, LOCKING.....5  
 NUT, SLOTT 6.....5

## O

OILSEAL.....7  
 O-RING 32.....5

## P

PAWL.....5  
 PIECE, LEVER.....5  
 PIN, SPLIT 1.6X16.....5  
 PLATE, ANGLE.....5, 7

PLATE, EYE.....7  
 PLATE, GUIDE.....7  
 PLATE, SIDE.....7

## R

RESETTER, LATCH.....5  
 ROD, CONNECTING.....7

## S

SCABBARD, BLADE.....7  
 SCREW 3X6.....7  
 SCREW 4X8.....7  
 SCREW 5X20.....7  
 SCREW, LOCATOR.....5  
 SCREW, TORX.....5  
 SCREW, TRUSS.....5  
 SEAL.....7  
 SHAFT, P.T.O.....5  
 SHAFT, PINION.....5  
 SPRING, THROTTLELOCK.....5  
 SUPPORT, CUTTER.....7

## W

WASHER.....7  
 WASHER 5.....5  
 WASHER, ADJUSTMENT.....5  
 WASHER, SLUST.....5  
 WASHER, SPRING 5.....7  
 WASHER, SPRING 6.....5  
 WASHER, THRUST.....5



**ECHO, INCORPORATED**

400 Oakwood Road  
Lake Zurich, IL 60047 USA

[WWW.ECHO-USA.COM](http://WWW.ECHO-USA.COM)

---