



**Operator's
Manual
RB-60
Broadcast
Spreader**

SAFETY

Safety Information **WARNING**

Carefully read these instructions before use. Improper use or failure to follow instructions can result in product failure or injuries. For safe use of this product you must read and follow all instructions before using.

 **WARNING**

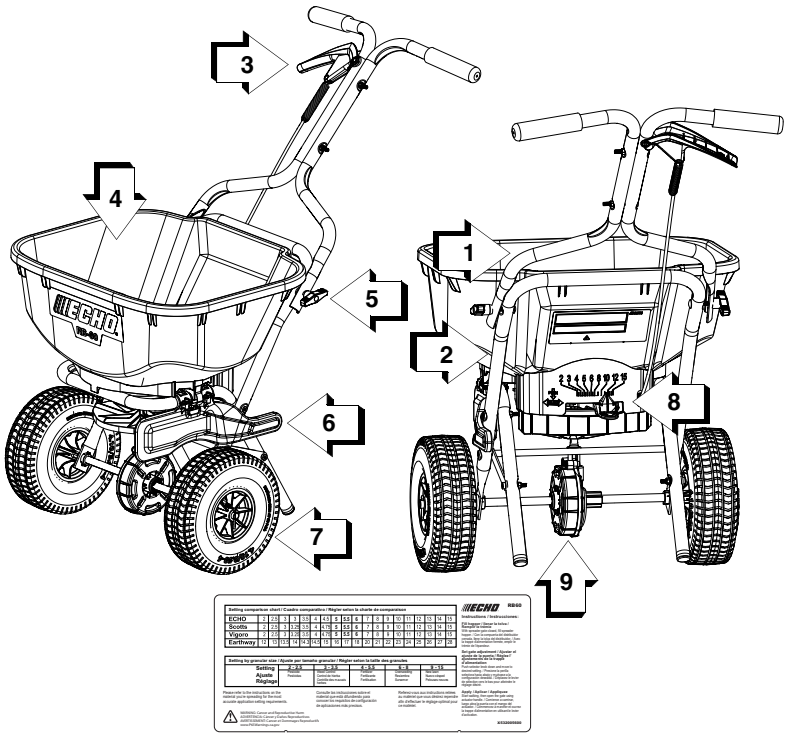
Cancer and Reproductive Harm
www.P65Warnings.ca.gov

 **WARNING**

- ◆ Do not allow anyone to operate the broadcast spreader without proper instructions.
- ◆ Do not permit children to operate the broadcast spreader.
- ◆ Wear protective eyewear and gloves when handling and applying lawn and garden chemicals.
- ◆ Read and follow the chemical label instructions and warnings for handling and applying the chemicals you plan to spread – application settings provided are only a guideline.

DESCRIPTION

Locate the safety decal(s) on your unit. Make sure the decal(s) is legible and that you understand and follow the instructions on it. If a decal cannot be read, a new one can be ordered from your ECHO dealer. The safety decal is for example only. Your label may appear slightly different.



- 1 Top Handle Bracket
- 2 Bottom Handle Bracket
- 3 Actuator Handle
- 4 Hopper
- 5 Handle Assembly Wing Nut
- 6 Side Deflector
- 7 Wheels
- 8 Gate Adjuster
- 9 Gear Case

CONTENTS

The ECHO product you purchased has been factory pre-assembled for your convenience. Due to packaging restrictions, some assembly may be necessary.

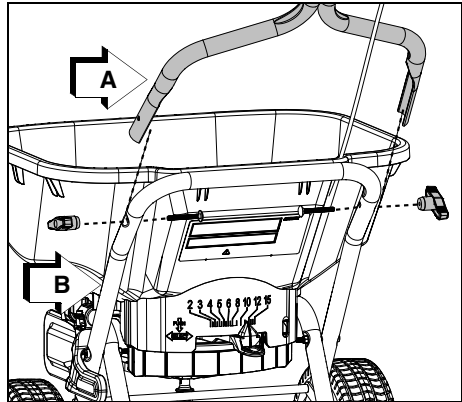
After opening the carton, check for damage. Immediately notify your retailer or ECHO Dealer of damaged or missing parts. Use the contents list to check for missing parts.

- 1 Broadcast Spreader Assembly
- 2 Carriage Bolts
- 2 Wing Nuts
- 1 Quick Start Guide

ASSEMBLY

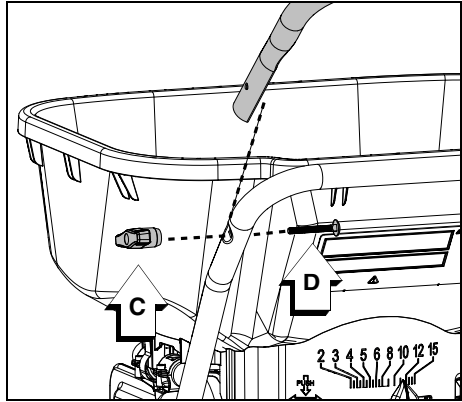
Install Handle Brackets

1. Align holes in top handle bracket (A) with holes in bottom handle bracket (B).



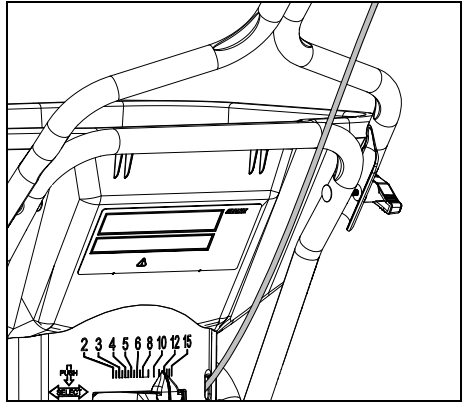
- 2. Secure handle brackets with wing nuts (C) and carriage bolts (D) on each side.

Note: Attach each side loosely before tightening brackets securely.



NOTICE

Assure control cable is routed behind handle brackets.



OPERATION

Application Instructions

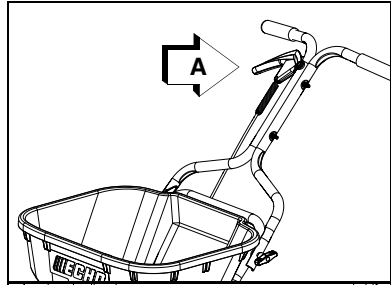
CAUTION

TIP HAZARD. Unit can tip on uneven ground. Always fill hopper on flat ground, and keep bystanders away. Otherwise personal injury could result.

1. Fill Hopper

Release actuator handle (A) to close gate. Fill hopper.

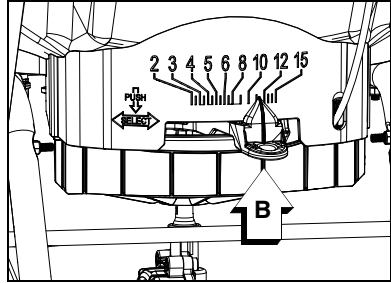
Note: Fill hopper in an area that won't be damaged by spilled product.



2. Set Gate Adjustment

Push gate adjuster (B) down and move to best application setting (see chart below). Pull adjuster upward to lock in place.

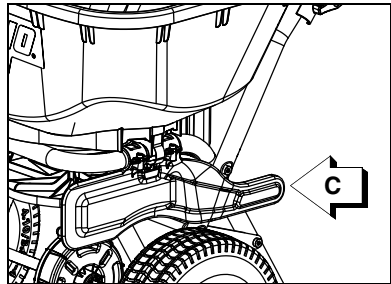
Note: Gate adjustment settings should only be used as a general guideline for application. Refer to instructions on material you are spreading for most accurate application setting requirements.



3. Application

A. Lower edge guard (C) and make perimeter pass to protect non-lawn areas. Pull actuator handle to open gate while spreading.

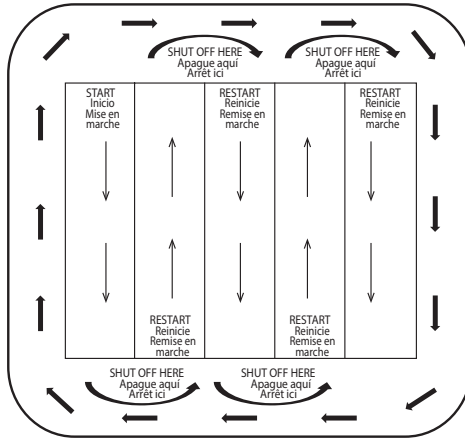
B. Raise edge guard. Make parallel internal passes to ensure even coverage.



Setting comparison chart / Cuadro comparativo / Régler selon la charte de comparaison																			
ECHO	2	2.5	3	3.5	4	4.5	5	5.5	6	7	8	9	10	11	12	13	14	15	
Scotts	2	2.5	3	3.25	3.5	4	4.75	5	5.5	6	7	8	9	10	11	12	13	14	15
Vigoro	2	2.5	3	3.25	3.5	4	4.75	5	5.5	6	7	8	9	10	11	12	13	14	15
Earthway	12	13	13.5	14	14.3	14.5	15	16	17	18	20	21	22	23	24	25	26	27	28

Setting by granular size / Ajuste por tamaño granular / Régler selon la taille des granules					
Setting	2 - 2.5	3 - 3.5	4 - 5.5	6 - 8	9 - 15
Ajuste	Pesticide	Weed Control	Fertilizer	Overs seeding	New lawn
Réglage	Pesticidas	Control de hierbas	Fertilizante	Reasembra	Nuevo césped
		Control des mauvaises herbes	Fertilisation	Summer	Pelouses neuves

Sample Spread Pattern
Muestra del patrón de distribución
Modèle d'épandage typ



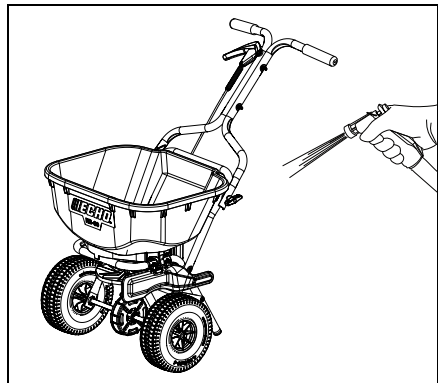
MAINTENANCE

Clean Spreader

NOTICE

Avoid spraying gear case directly, and do not use a pressure washer on spreader.

1. Wash spreader with a garden hose after each use.



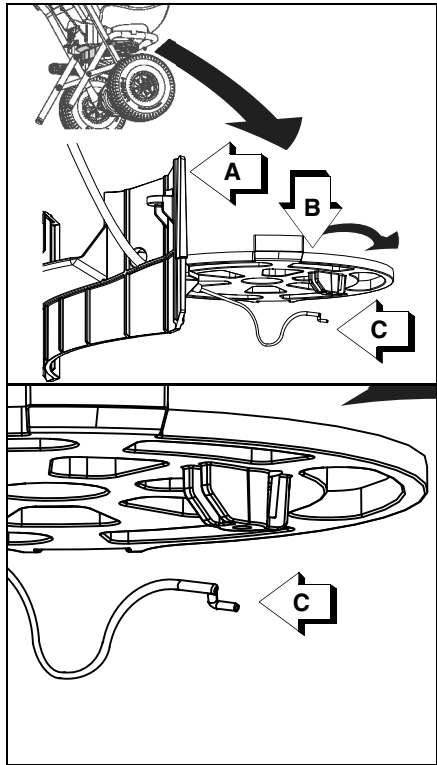
Check Tire Pressure

NOTICE

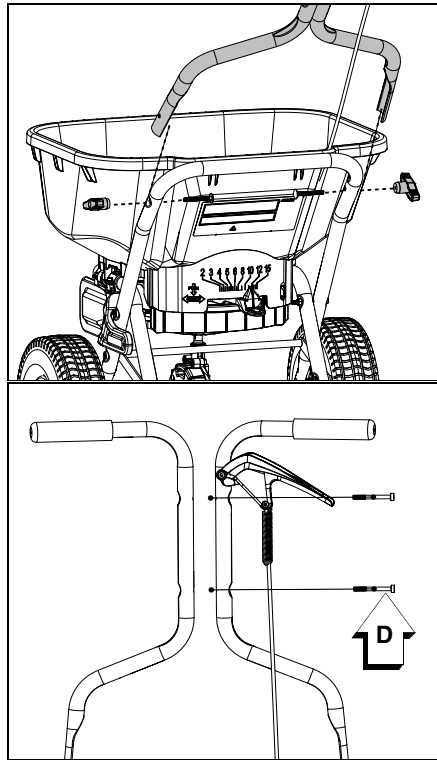
Tires should be inflated to 15 psi. Assure tire pressure does not exceed 30 psi.

Replacing Control Cable

1. Remove Shield (A).
2. Turn gate (B) clockwise to relieve tension on cable.
3. Remove cable S hook (C) from gate.

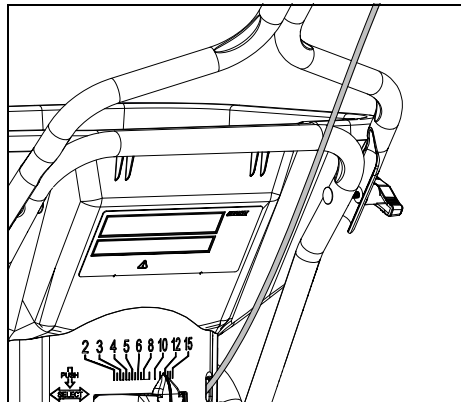


4. Remove upper handle bracket from lower handle bracket.
5. Remove bolts (D) and separate handle halves.
6. Install new handle half with control cable assembly.
7. Re assemble spreader components.



NOTICE

Assure control cable is routed behind handle brackets.



SPECIFICATIONS

MODEL	RB-60
Length	959 mm (37.75 in.)
Width	584 mm (23 in.)
Height	794 mm (31.25 in.)
Weight	10.2 kg (22.4 lb.)
Capacity	
Weight	27.2 kg (60lb.)
Volume	36.8 L (1.3 ft ³)
Loading Height	584 mm (23 in.)
Wheels and Tires	
Tire Diameter	254 mm (10in.)
Tire Type	Pneumatic
Recommended Pressure	103.4 kPa (15 psi)

PRODUCT REGISTRATION

Thank you for choosing ECHO Power Equipment

Please go to <http://www.echo-usa.com/Warranty/Register-Your-ECHO> to register your new product on-line. It's **FAST** and **EASY!** NOTE: your information will never be sold or misused by ECHO, Inc. Registering your purchase enables us to contact you in the unlikely event of a service update or product recall, and verifies your ownership for warranty consideration.

If you do not have access to the Internet, you can complete the form below and mail to:

ECHO Inc., Product Registration, PO Box 1139, Lake Zurich IL 60047.



PRODUCT REGISTRATION CARD : TARJETA DE REGISTRO : CARTE D'ENREGISTREMENT DU PRODUIT

ONLINE OPTION: Register online and save a stamp! You will be alerted of product updates and/or be sent new ECHO product information and special offers. Simply go to: www.echo-usa.com

OPCIÓN POR INTERNET: Regístrese en la página web y ahorre una estampilla! Le alertarán sobre actualizaciones del producto y/o se le enviará información sobre los nuevos productos ECHO y ofertas especiales. Simplemente visite: www.echo-usa.com

OPTION EN LIGNE: Enregistrer en ligne et épargner un timbre! Vous serez informé sur les nouveaux produits ECHO et les mises à jour de produit ainsi que les offres spéciales. Simplement visitez le: www.echo-usa.com

Please Print : Por Favor Enscriba Con Letra De Molde : En Lettre Carré S.V.P. **Confidential:** Information provided will not be shared or sold

Purchaser's Name : Nombre del Comprador : Nom de l'acheteur	
Address : Dirección : Adresse	
City : Ciudad : Ville	State : Estado : Province
Zip Code : Código Postal : Code Postal	
E-Mail Address : Dirección De Correo Electrónico : Courriel Electronique	
Phone Number : Número De Teléfono : Téléphone	Date of Purchase : Fecha de la Compra : Date de l'achat
Where Purchased : Nombre del Almacén donde fue Comprado : Lieu d'achat	
Model Number : Numero del Modelo : No. de modèle	
Serial Number : Numero de Serie : No. de série	

Registering your purchase enables us to contact you in the unlikely event of a service update or product recall and verifies your purchase. We will never sell your personal information to anyone. We will contact you if we have a special offer for you. Como el aviso de tiempo de servicio o la revocación del producto y verificación de propiedad en caso de robo o pérdida. L'enregistrement de votre achat nous permettra de vous contacter dans le cas improbable de modifications des instructions d'emballage ou de rappel du produit et vérifier que vous êtes le propriétaire en cas de vol ou de perte.

Primary use of tool: Homeowner Rental Equip.
 Uso primario de la herramienta: Profesional Dueño de casa Alquiler
 Usage principal: Professionnel Residential Location
 Do you wish to receive periodic ECHO product information and special offers by e-mail? Yes No
 ¿Desea usted recibir información periódica y ofertas especiales por correo electrónico sobre el producto ECHO? Yes No
 Souhaitez-vous recevoir périodiquement de l'information sur les produits ECHO et les offres spéciales par courrier électronique? Oui Non
 Did you visit the ECHO website before purchasing your product? Yes No
 Visitéz-vous le site ECHO avant de acheter votre produit? Oui Non
 Avez-vous visité le site d'ECHO avant de procurer votre produit? Oui Non
 What factor(s) most influenced your purchase?
 Performance Price Dealer
 Reliability Prior Experience Quality
 Friend/Family Brand Warranty
 ¿Que factor(es) influenció más en su compra?
 Funcionamiento Precio Distribuidor
 Confiabilidad Experiencia Anterior Calidad
 Amigo/Familia Marca Garantía
 Quel facteur (facteurs) vous a influencé le plus?
 Performance Prix Marchand
 Fiabilité Expérience Qualité
 Ami/Famille Marque Garantie

ECHO INC., 400 Oakwood Rd., Lake Zurich, IL 60047
 1.800.432.ECHO WWW.ECHO-USA.COM

X7572270206 02-2012



N29000001001 - N29000999999



ECHO INCORPORATED

400 Oakwood Road
Lake Zurich, IL 60047

www.echo-usa.com