

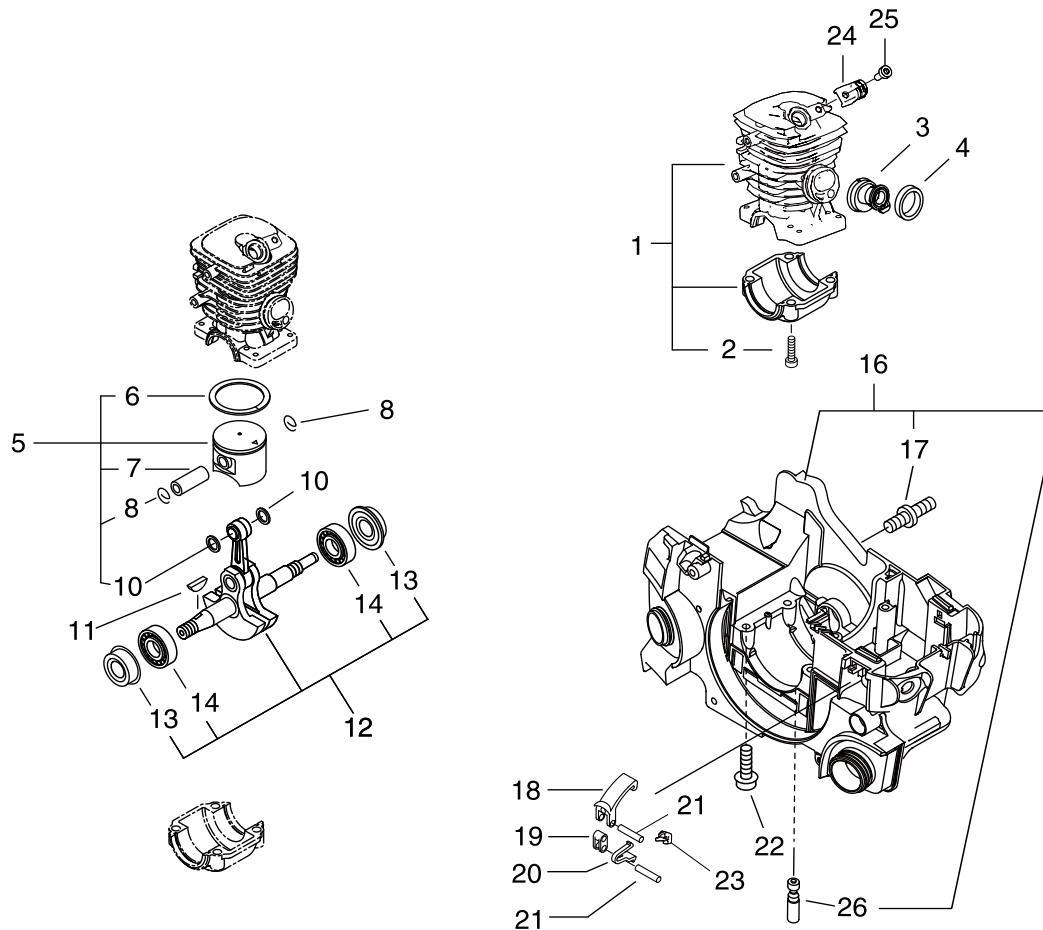


PARTS CATALOG

CHAIN SAW CS-352ES(37)

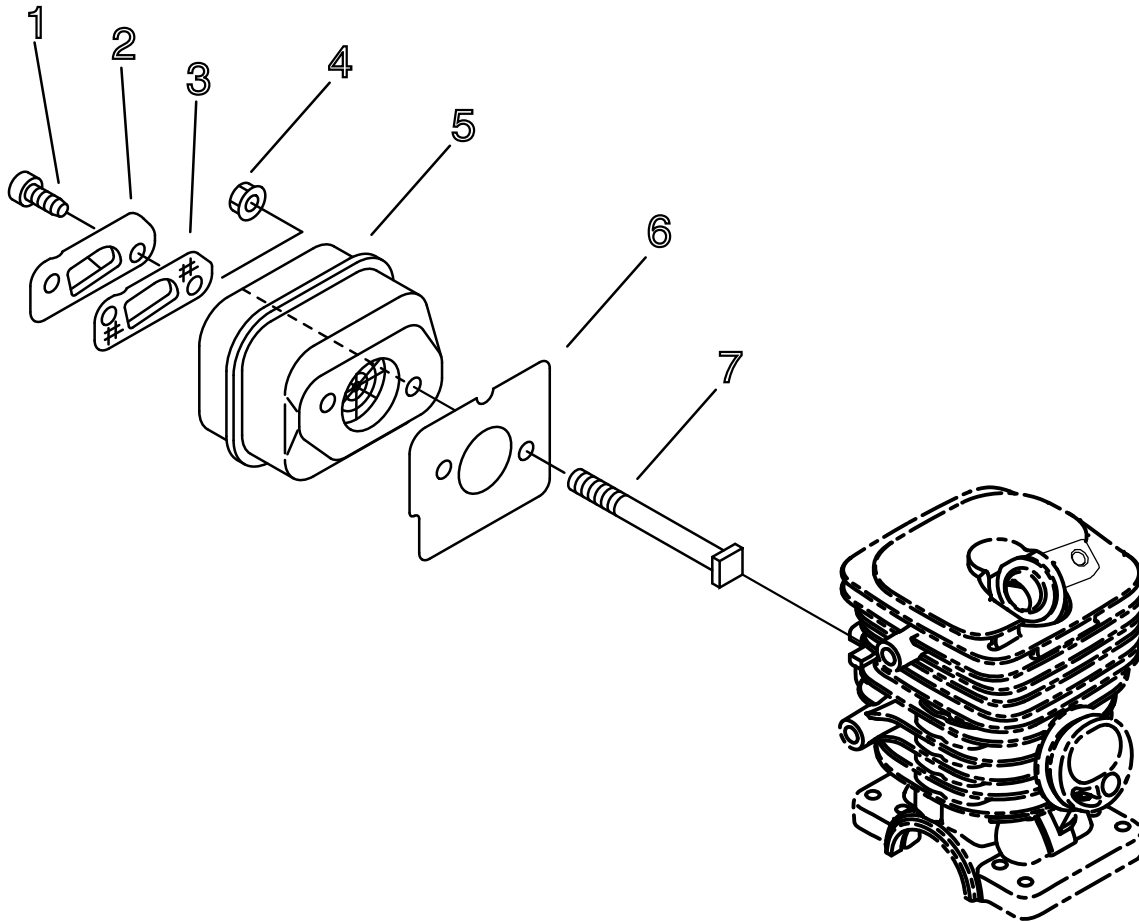
37004652 -

1. CYLINDER, CRANKCASE, PISTON



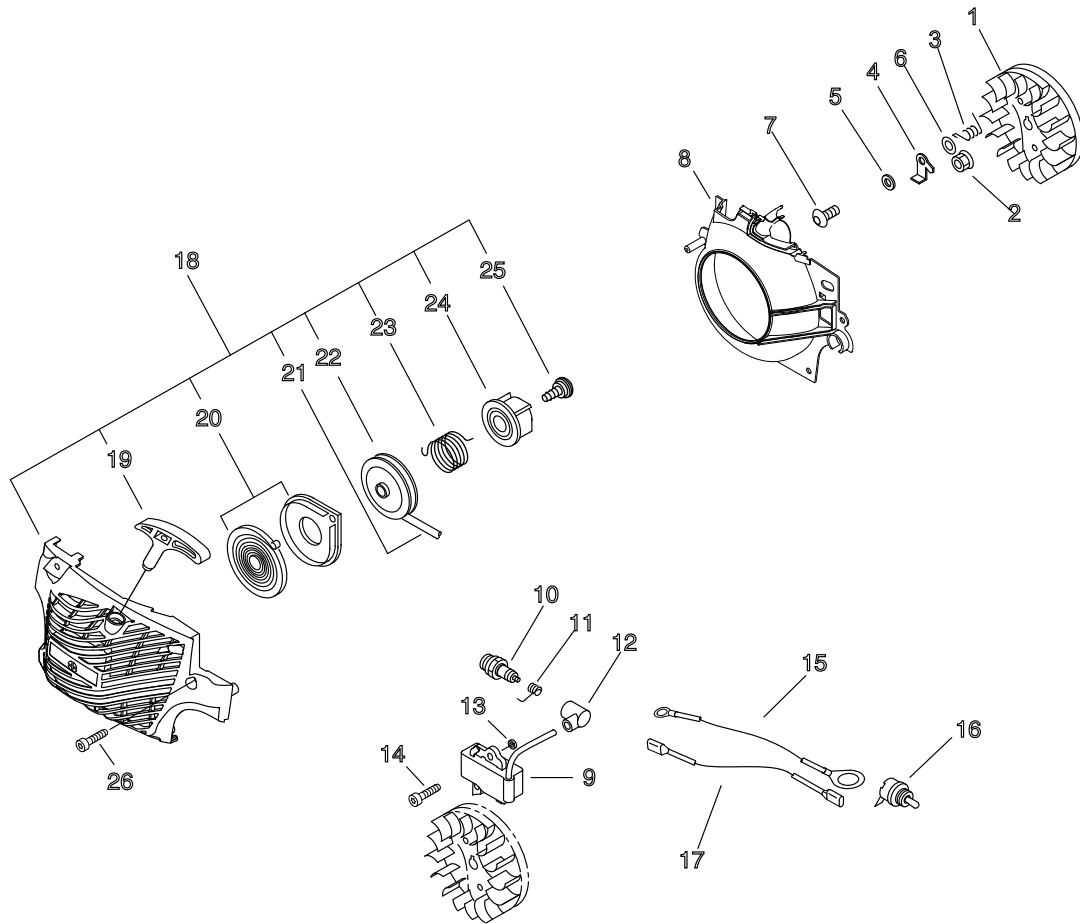
KEY	LV	PART NUMBER	Q'TY	DESCRIPTION	REMARKS	NOTE1	NOTE2
1		P021035190	1	CRANKCASE KIT			
2	+	V805000220	4	BOLT, TORX 5	TB-5*25 12.9		
3		A202000070	1	BELLOWS, INTAKE			
4		A206000000	1	HOLDER, BELLOWS			
6	+	A101000580	1	RING, PISTON			
7	+	10001315330	1	PIN, PISTON	5.5*8*29		
8	+	10001504630	2	CIRCLIP, PISTON PIN			
10	+	10001411520	2	SPACER, PISTON PIN			
11		10014212330	1	KEY, WOODRUFF			
12		P021015072	1	CRANKSHAFT, ASSY			
13	+	V505000011	2	SEAL, OIL 12	12*32*5.5		
14	+	9403536201	2	BEARING BALL	6201X3JR2C3		
16		P021036930	1	COVER, ENGINE			
17	+	V225000030	2	BOLT, STUD 8			
26	+	C022000071	1	AUTO-OILER ASSEMBLY			
18		C463000030	2	KNOB, LATCH			
19		J485000200	2	HINGE			
20		V490000400	2	CLIP			
21		V622000070	4	PIN, STRAIGHT 4	F4*17.8		
22		V805000180	4	BOLT, TORX 5	TB-5*30 12.9		
23		C617000500	2	STOPPER			
24		V456000240	1	HOLDER, SPRING			
25		V805000140	1	BOLT, TORX 5	TB-5*12 10.9		

2. MUFFLER



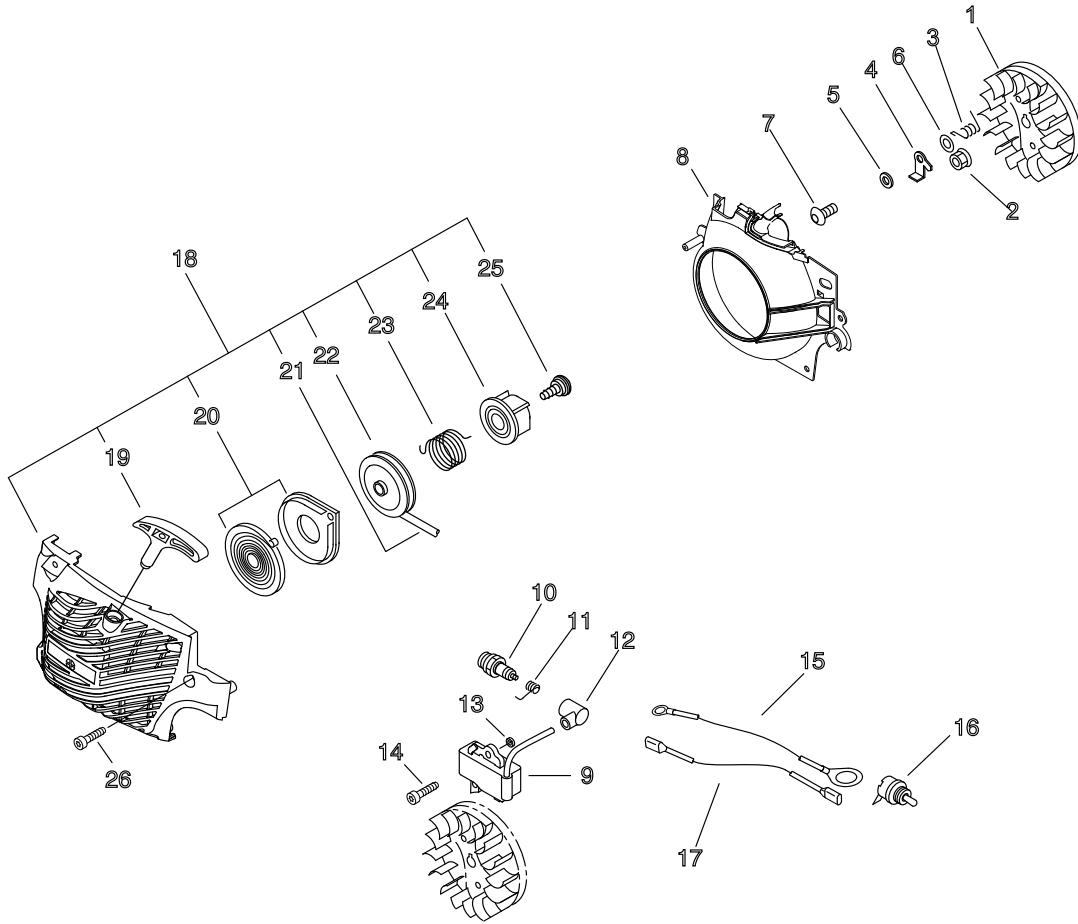
KEY	LV	PART NUMBER	Q'TY	DESCRIPTION	REMARKS	NOTE1	NOTE2
1		V804000030	2	BOLT, TORX 4	TB-4*8 10.9		
2		A313001120	1	GUIDE, EXHAUST	ID#1800		
3		A310000060	1	SCREEN, ARRESTOR			
4		90051600005	2	NUT, FRANGE 5	5		
5		A300000830	1	MUFFLER, EXHAUST			
6		V104000732	1	GASKET, EXHAUST			
7		V203000120	2	BOLT, 5	L=60		

3. RECOIL STARTER, MAGNETO



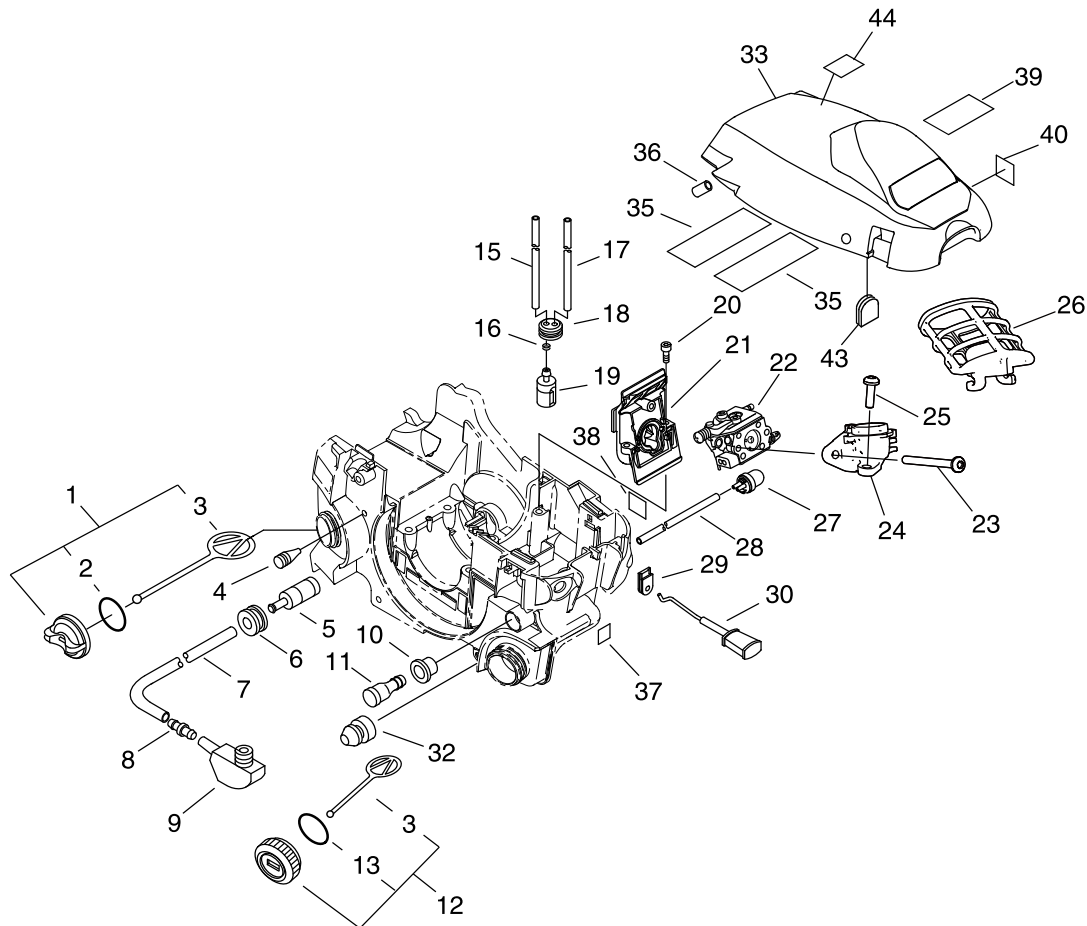
KEY	LV	PART NUMBER	Q'TY	DESCRIPTION	REMARKS	NOTE1	NOTE2
1		A409000350	1	ROTOR, MAGNETO	WALBRO FW57		
2		90051500008	1	NUT, FLANGE 8	8		
3		17723435430	2	SPRING, RETURN			
4		A514000020	2	PAWL			
5		17724704630	2	SPACER, RATCHET	5.2*8*2.1		
6		90060300005	2	WASHER 5	5.5*12*0.8		
7		V203000080	2	BOLT,5	5*14		
8		A172000830	1	COVER,FAN			
9		A411001180	1	COIL, IGNITION	MBU-40		
10		A425000000	1	SPARKPLUG	BPMR8Y		
11		A426000020	1	TERMINAL,SPARKPLUG			
12		A427000020	1	CAP, SPARK PLUG			
13		15011716430	2	SPACER			
14		V805000210	2	BOLT, TORX 5	TB-5*20 12.9		
15		V485001070	1	LEAD	#LA105 L255		
16		A440001190	1	SWITCH, ON OFF			
17		V485001080	1	LEAD	L235,#187,#250		
18		A051001301	1	STARTER.RECOIL ASY			
20	+	P022001330	1	SPRING KIT, REWIND			
21	+	P022008440	1	ROPE, STARTER	3.5*900		
22	+	A506000460	1	REEL,ROPE			
23	+	V452001320	1	SPRING,TORSION			
24	+	A507000110	1	CATCHER,PAWL			
25	+	17723661830	1	SCREW			

3. RECOIL STARTER, MAGNETO



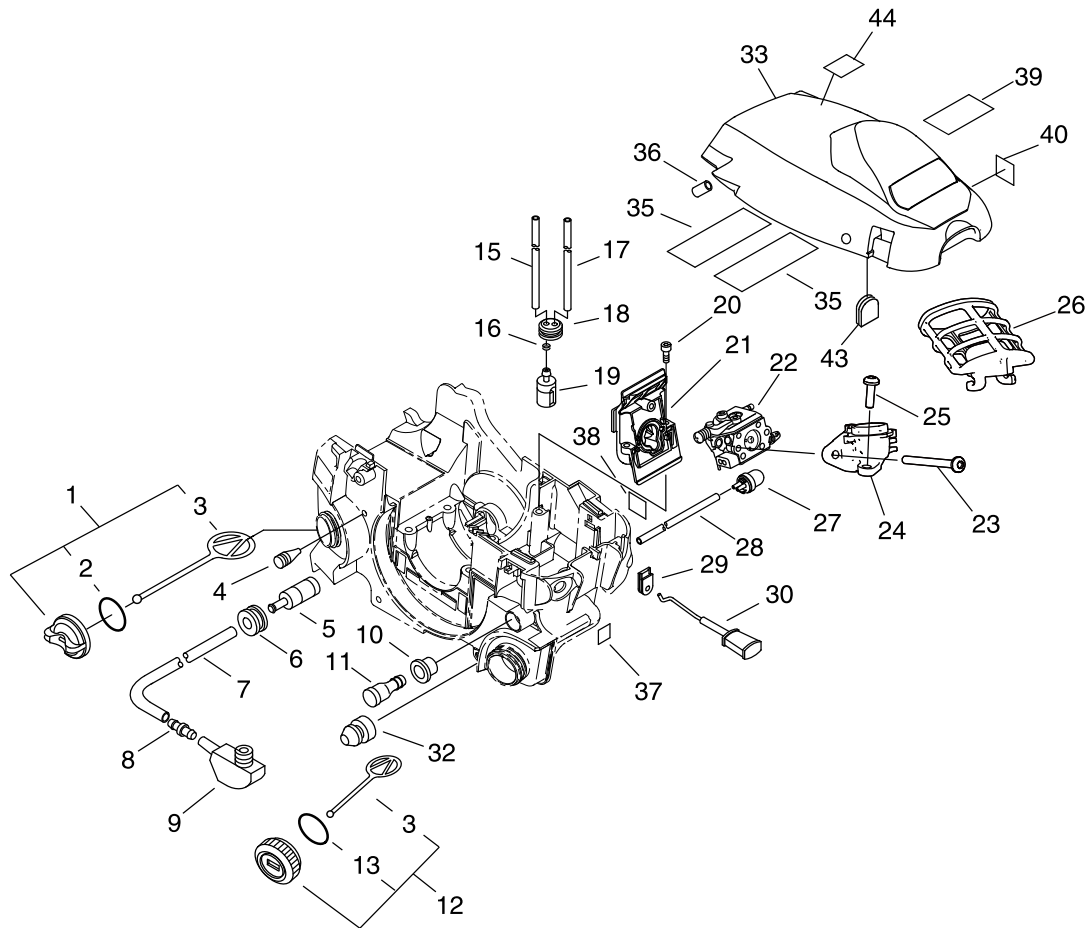
KEY	LV	PART NUMBER	Q'TY	DESCRIPTION	REMARKS	NOTE1	NOTE2
26		V805000010	4	BOLT, TORX 5	TT-5*20 DG 10.9		

4. AIR CLEANER, CARBURETOR



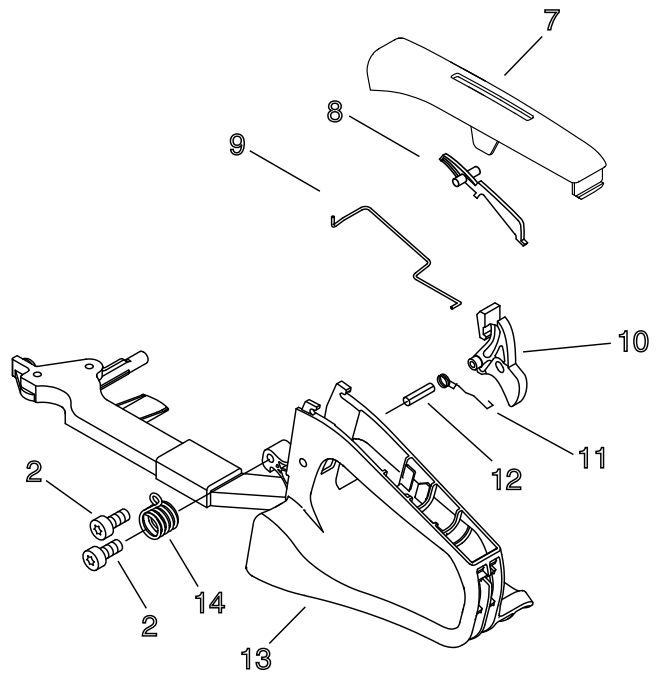
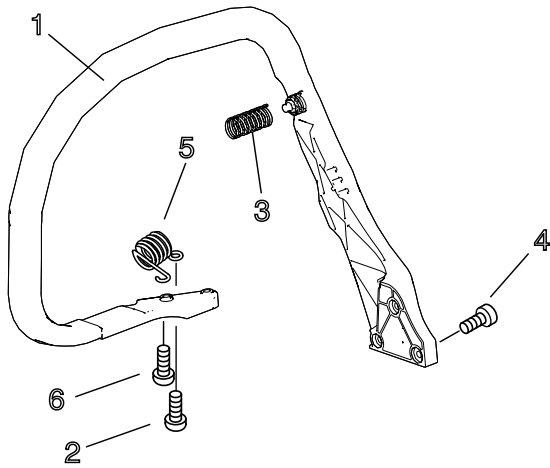
KEY	LV	PART NUMBER	Q'TY	DESCRIPTION	REMARKS	NOTE1	NOTE2
1		P021005581	1	OIL CAP ASY			
2	+	90072000018	1	O-RING 18	P-18		
3	+	A365000050	1	CONNECTOR,CAP			
4		43611413930	1	VALVE, CHECK			
6		13211501461	1	GROMMET			
7		13011005260	1	PIPE, IMPULSE			
8		V186000020	1	JOINT,PIPE			
9		V470000810	1	PIPE			
10		V137000000	1	GROMMET,FUEL			
11		A356000030	1	VALVE,CHECK		Sus. by A356-000031	
11		A356000031	1	VALVE,CHECK			
12		13100437933	1	CAP ASY, FUEL			
13	+	V581000610	1	RING,O	P22		
3	+	A365000050	1	CONNECTOR,CAP			
15		V471002170	1	PIPE	3*5*230		
16		13201309820	1	CLIP	6MM		
17		V471001560	1	PIPE	2.4*5*80		
18		13211544330	1	GROMMET			
19		13120514930	1	STRAINER,FUEL			
20		V805000010	2	BOLT, TORX 5	TT-5*20 DG 10.9		
21		A200000352	1	INSULATOR, INTAKE			
22		A021003340	1	CARBURETOR,DIAPHRAGM	WT-991		
23		V805000040	2	BOLT, TORX 5	TT-5*55 DG 10.9		

4. AIR CLEANER, CARBURETOR



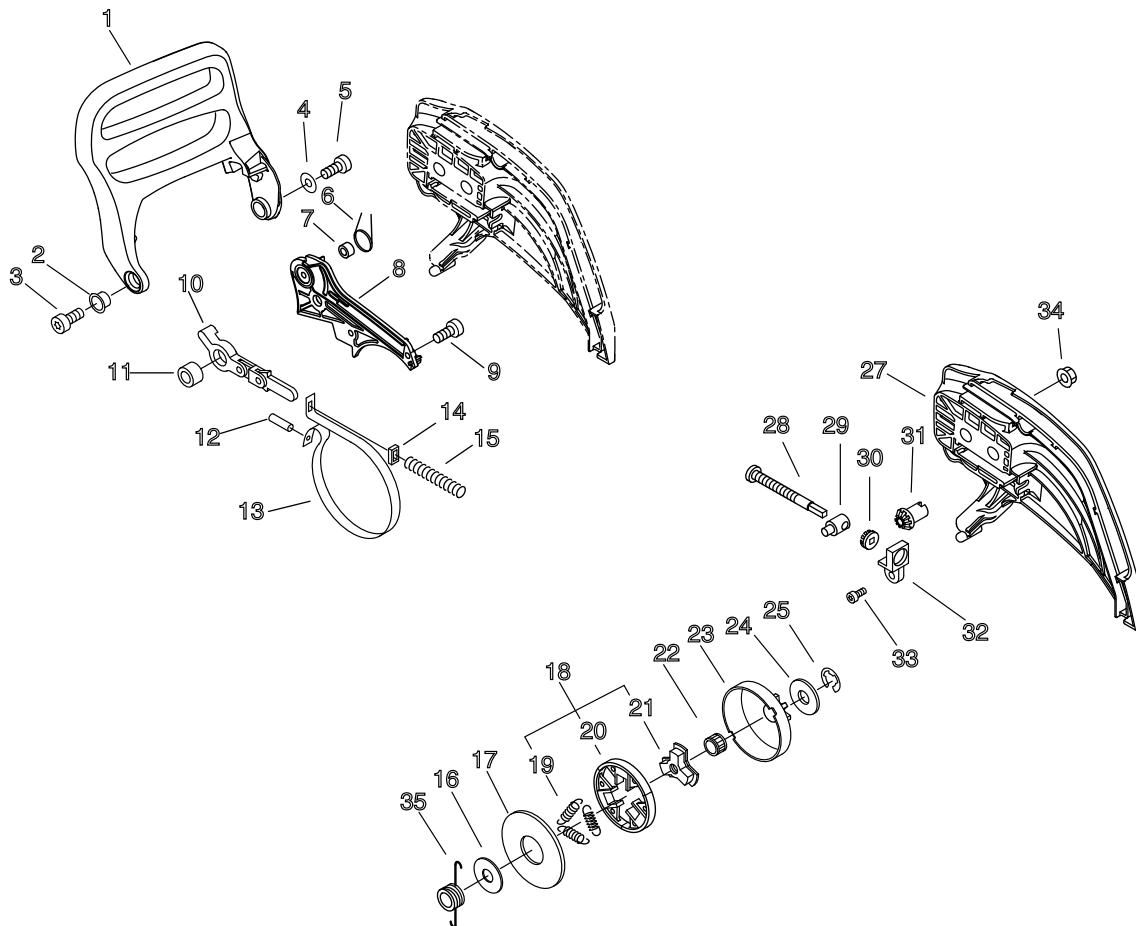
KEY	LV	PART NUMBER	Q'TY	DESCRIPTION	REMARKS	NOTE1	NOTE2
24		A204000211	1	ELBOW, CARBURETOR			
25		V805000000	1	BOLT, TORX 5	TT-5*16 DG 10.9		
26		A226001420	1	ELEMENT, AIR FILTER			
27		12318139130	1	PUMP, PRIMER			
28		V471001280	1	PIPE	2.4*5*105		
29		V130000010	1	GROMMET, CHOKE			
30		A241000150	1	KNOB, CHOKE			
32		V420001790	2	CUSHION			
33		A160002300	1	COVER, CYLINDER			
35		V341000120	2	WASHER, SQUARE			
36		10092735830	1	PIPE	3*7*10		
43		13033832430	1	PLUG, COVER			

5. HANDLE



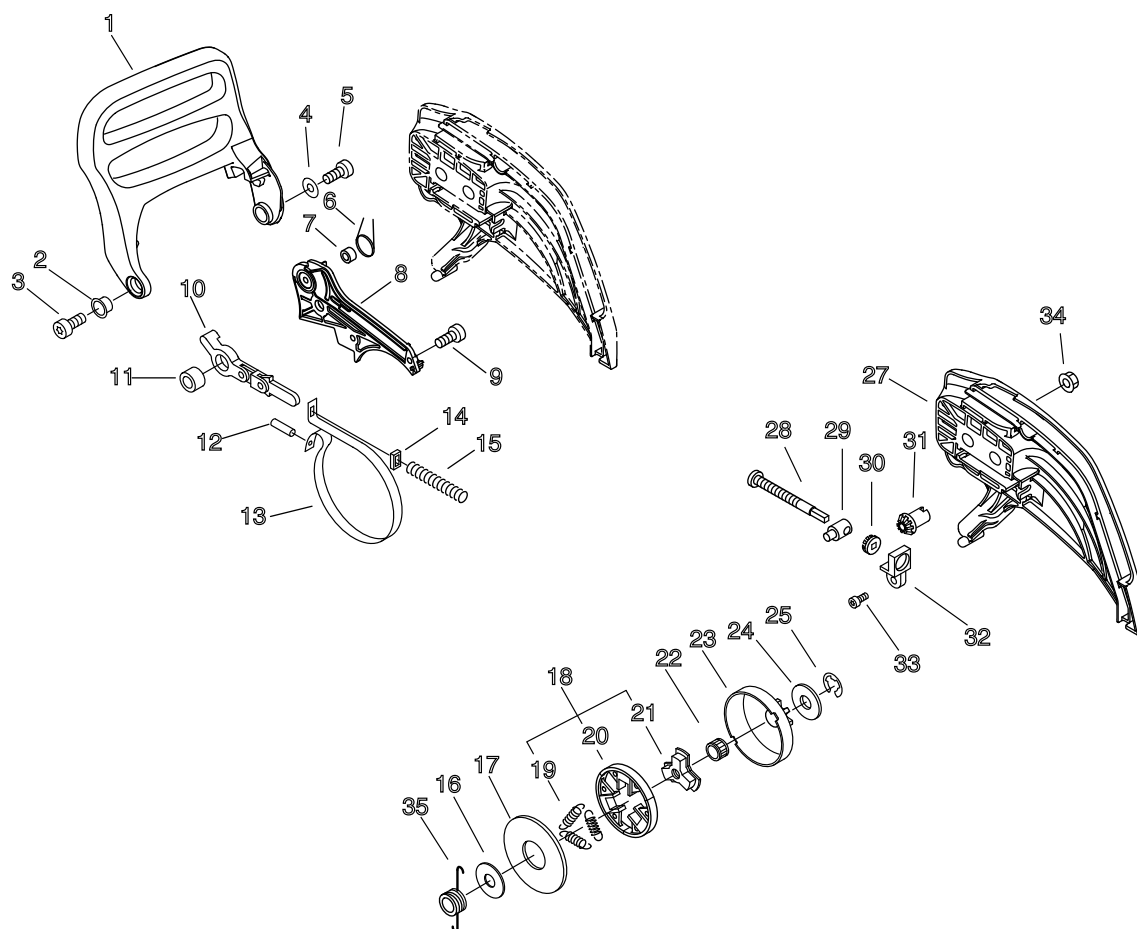
KEY	LV	PART NUMBER	Q'TY	DESCRIPTION	REMARKS	NOTE1	NOTE2
1		C400001030	1	HANDLE, FRONT			
2		V805000000	3	BOLT, TORX 5	TT-5*16 DG 10.9		
3		V450001610	1	SPRING, COMPRESSION			
4		V805000010	3	BOLT, TORX 5	TT-5*20 DG 10.9		
5		V450000710	1	SPRING, COMPRESSION			
6		V805000000	2	BOLT, TORX 5	TT-5*16 DG 10.9		
7		C411000040	1	LID, HANDLE			
8		C460000072	1	LOCKOUT, THROTTLE			
9		C454000160	1	ROD, THROTTLE			
10		C450000212	1	CONTROL, THROTTLE			
11		V452000260	1	SPRING, TORSION			
12		90034540025	1	PIN, SPRING 4*25SUS	4*25SUS		
13		C410000450	1	HANDLE, REAR			
14		V450001620	1	SPRING, COMPRESSION			

6. CLUTCH, SPROCKET



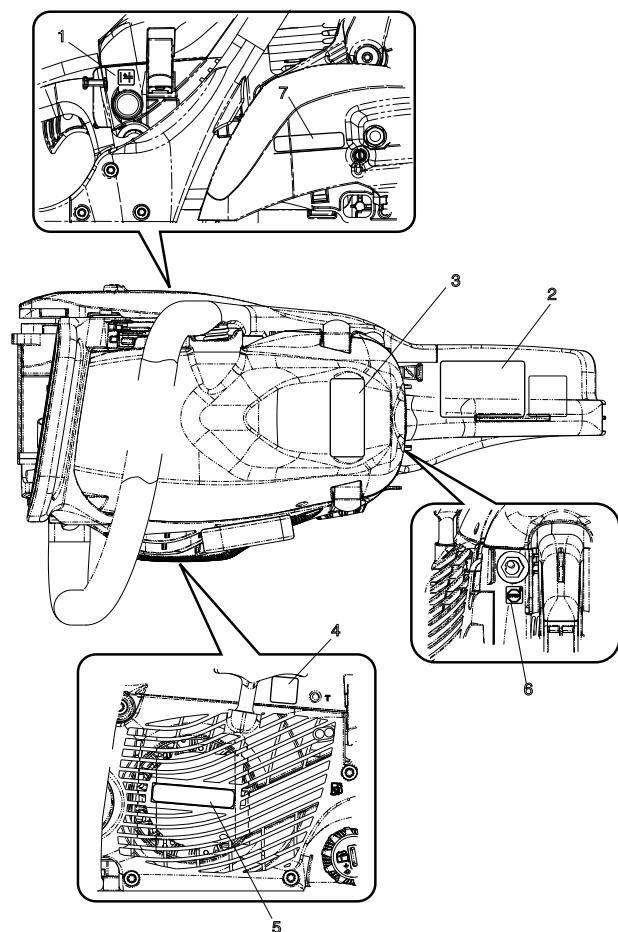
KEY	LV	PART NUMBER	Q'TY	DESCRIPTION	REMARKS	NOTE1	NOTE2
1		C320000171	1	LEVER, BRAKE			
2		V356000430	1	COLLAR,10			
4		17721403930	1	WASHER			
5		V804000020	1	BOLT, TORX 4	TT-4*20 DG 10.9		
6		V452000250	1	SPRING,TORSION			
7		43311635430	1	SPACER 8	8*12*9		
8		C345000271	1	COVER,BRAKE			
9		V804000000	3	BOLT, TORX 4	TT-4*12 DG 10.9		
10		C334000100	1	CONNECTOR, BRAKE			
11		43311635430	1	SPACER 8	8*12*9		
12		9305030098	1	ROLLER	F3*9.8		
13		C328000030	1	BAND,BRAKE			
14		V376000450	1	SPACER			
15		V450000070	1	SPRING,COMPRESSION			
16		A551000080	1	PLATE, CLUTCH			
17		A551000140	1	PLATE, CLUTCH			
18		A056000210	1	CLUTCH ASY			
19	+	V451000470	3	SPRING,TENSION			
20	+	P021005810	1	CLUTCH SHOE SET			
21	+	A552000100	1	HUB, CLUTCH			
22		17501203930	1	BEARING, NEEDLE			
23		A556000542	1	DRUM, CLUTCH			
24		10014319830	1	WASHER	8.2*31*0.8		
25		V583000120	1	RING			

6. CLUTCH, SPROCKET



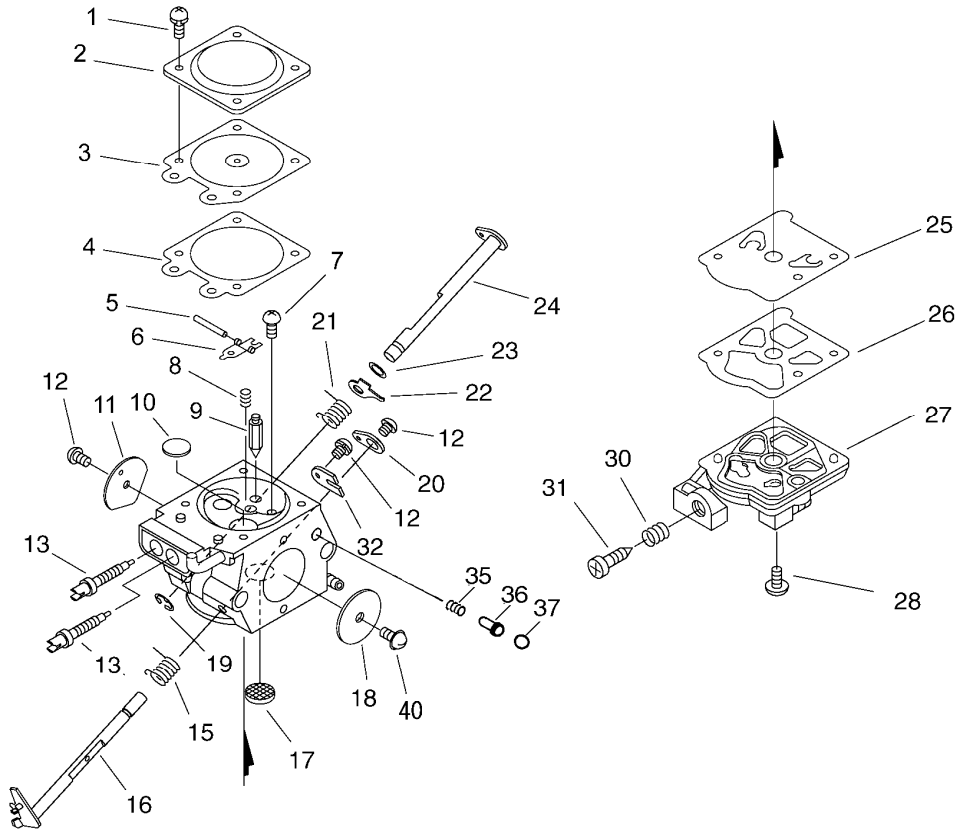
KEY	LV	PART NUMBER	Q'TY	DESCRIPTION	REMARKS	NOTE1	NOTE2
27		C300000401	1	GUARD, SPROCKET			
28		V203000110	1	BOLT,5			
29		C309000030	1	TENSIONER,CHAIN			
30		V651000011	1	GEAR,BEVEL			
31		V651000001	1	GEAR,BEVEL			
32		V355000140	1	COLLAR,8			
33		V804000000	1	BOLT, TORX 4	TT-4*12 DG 10.9		
34		43301912330	2	NUT, FLANGE 8	M-8		
35		V652000040	1	GEAR,WORM			

7. LABELS



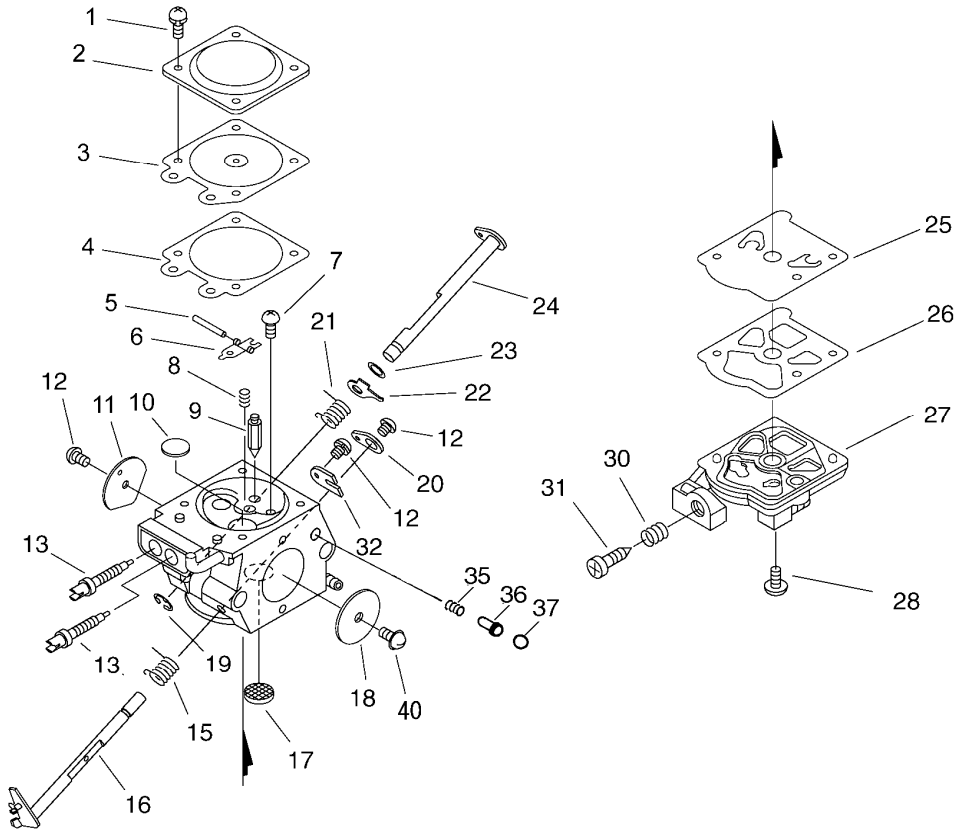
KEY	LV	PART NUMBER	Q'TY	DESCRIPTION	REMARKS	NOTE1	NOTE2
1		X524001900	1	LABEL			
2		89034539230	1	LABEL,CAUTION			
3		X503010410	1	LABEL,MODEL	CS-352ES		
4		89063138130	1	LABEL, CAUTION			
5		X502000670	1	LABEL,ECHO			
6		89015739130	1	LABEL, SWITCH			
7		X502000340	1	LABEL,ECHO	ECHO(WHITE)		

8. CARBURETOR



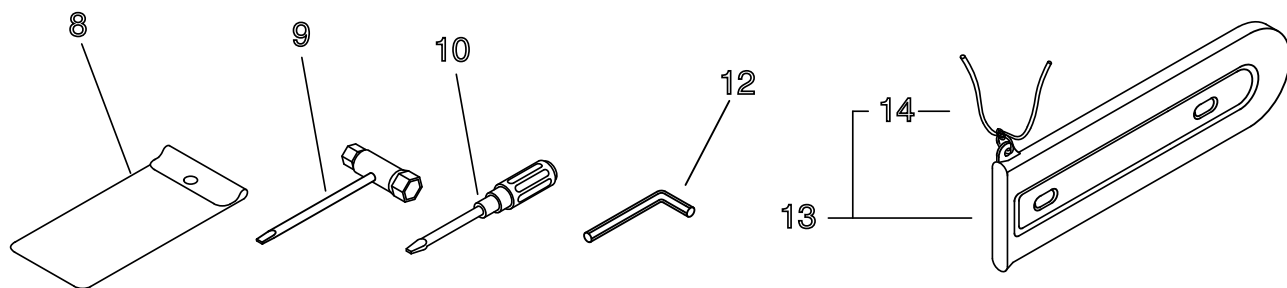
KEY	LV	PART NUMBER	Q'TY	DESCRIPTION	REMARKS	NOTE1	NOTE2
0		A021003340	1	CARBURETOR,DIAPHRAGM	WT-991		
1	+	12313002960	4	SCREW			
2	+	12314203930	1	COVER, M. DIAPHRAGM			
3	+	P003001850	1	DIAPHRAGM, METERING			
4	+	12314003930	1	GASKET, M. DIAPHRAGM			
5	+	12313803930	1	PIN, METERING LEVER			
6	+	12312303930	1	LEVER, METERING			
7	+	12313903930	1	SCREW, M. LEVER PIN			
8	+	12312203660	1	SPRING, METER. LEVER			
9	+	12313719830	1	VALVE, INLET NEEDLE			
10	+	12314610631	1	PLUG, WELCH			
11	+	P003002250	1	VALVE, CHOKE			
12	+	12311438830	3	SCREW			
13	+	P003004170	2	NEEDLE			
15	+	12311337530	1	SPRING, THROTTLE RTN			
16	+	P003002240	1	SHAFT ASY, THROTTLE			
17	+	12312610631	1	SCREEN, INLET			
18	+	12311623230	1	VALVE, THROTTLE			
19	+	12312715030	1	RING			
20	+	P003001040	1	LEVER THROTTLE			
21	+	P003002260	1	SPRING			
22	+	P003001510	1	LEVER-FAST IDLE			
23	+	12314926030	1	WASHER			
24	+	P003000150	1	CHOKE, SHAFT			
25	+	12311215030	1	DIAPHRAGM, FUEL PUMP			
26	+	12312515030	1	GASKET, FUEL PUMP			

8. CARBURETOR



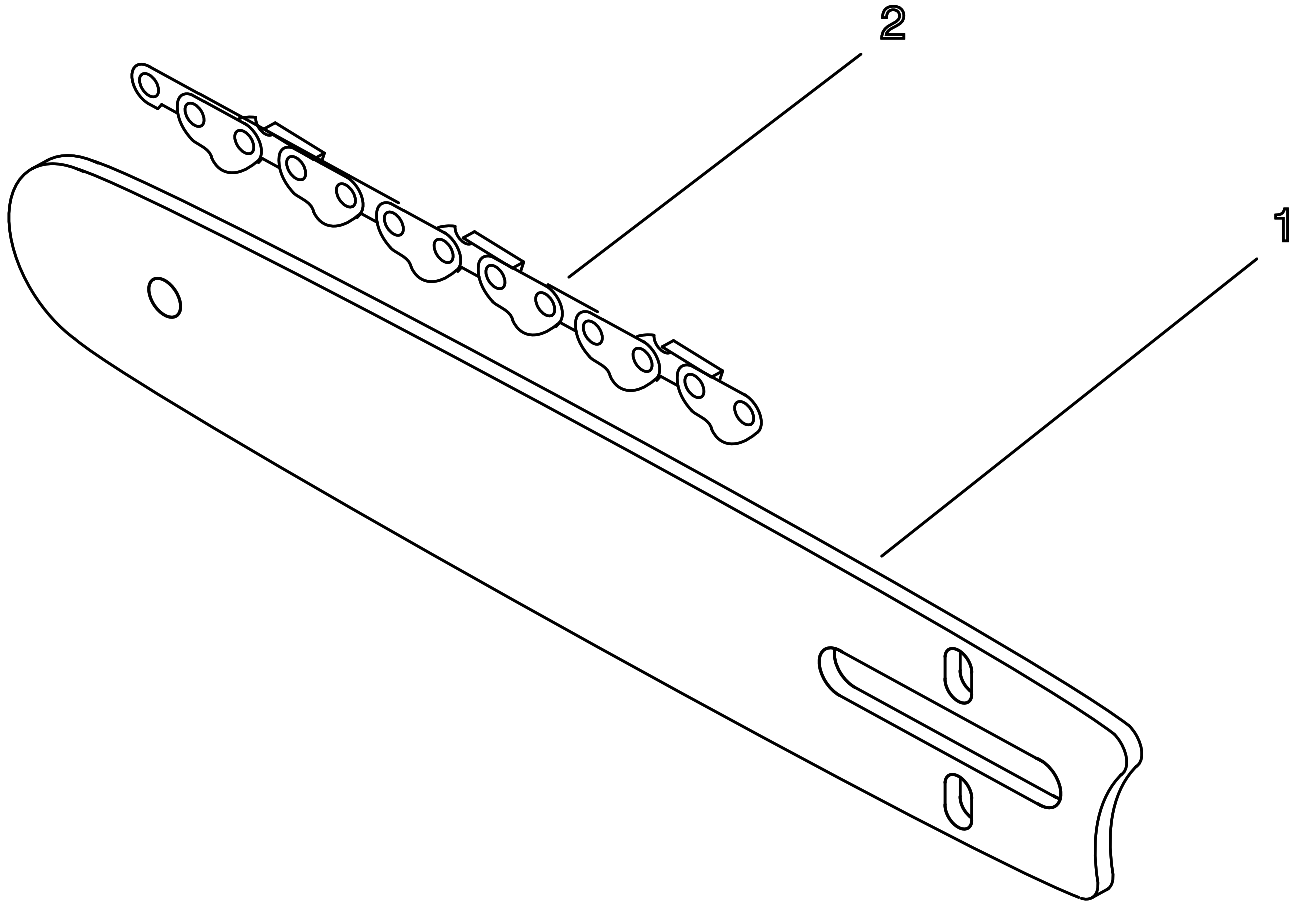
KEY	LV	PART NUMBER	Q'TY	DESCRIPTION	REMARKS	NOTE1	NOTE2
27	+	12312409520	1	COVER, FUEL PUMP			
28	+	12311003930	1	SCREW, PUMP COVER			
30	+	12313304260	1	SPRING, IDLE ADJUST			
31	+	12313404260	1	SCREW, IDLE ADJUST			
32	+	12312703930	1	CLIP, THROTTLE SHAFT			
35	+	12318609660	1	SPRING, START VALVE			
36	+	12318509660	1	PISTON ASSY			
37	+	12313609660	1	BALL			
40	+	P003002380	1	SCREW			

9. TOOLS



KEY	LV	PART NUMBER	Q'TY	DESCRIPTION	REMARKS	NOTE1	NOTE2
9		X602000080	1	TOOL,WRENCH	13*19 L180		
10		89581203930	1	DRIVER, SCREW 50			
12		X605000050	1	TOOL,L WRENCH			
14		89856814530	1	ROPE	5*900		

10. GUIDE BAR, CHAIN



KEY	LV	PART NUMBER	Q'TY	DESCRIPTION	REMARKS	NOTE1	NOTE2
1A		X122000071	1	BAR,GUIDE30RC50M-3/8	30RC50M-3/8 ECHO		
2A		43101039230	1	CHAIN, SAW 91VG-47E	91VG-47E 30C		
1B		X123000131	1	BAR,GUIDE35RC50M-3/8	35RC50M-3/8		
2B		43101939230	1	CHAIN, SAW 91VG-53E	91VG-53E 35C		
1C		X122000180	1	BAR,GUIDE 30	30RC43S-3/8 ECHO		
2C		43101060930	1	CHAIN, SAW	90SG-45E		
2C		43101039931	1	CHAIN, SAW 91VX-47E	91VX-47E		
1D		X123000230	1	BAR,GUIDE 35	35RC43S-3/8 ECHO		
2D		43101939931	1	CHAIN,SAW	91VX-53E		

Index

Patrs Number	Key No.	Patrs Number	Key No.	Patrs Number	Key No.
10001315330	1 - 7	43101939931	10 - 2D	A556000542	6 - 23
10001411520	1 - 10	43301912330	6 - 34	C022000071	1 - 26
10001504630	1 - 8	43311635430	6 - 7	C300000401	6 - 27
10014212330	1 - 11	43311635430	6 - 11	C309000030	6 - 29
10014319830	6 - 24	43611413930	4 - 4	C320000171	6 - 1
10092735830	4 - 36	89015739130	7 - 6	C328000030	6 - 13
12311003930	8 - 28	89034539230	7 - 2	C334000100	6 - 10
12311215030	8 - 25	89063138130	7 - 4	C345000271	6 - 8
12311337530	8 - 15	89581203930	9 - 10	C400001030	5 - 1
12311438830	8 - 12	89856814530	9 - 14	C410000450	5 - 13
12311623230	8 - 18	90034540025	5 - 12	C411000040	5 - 7
12312203660	8 - 8	90051500008	3 - 2	C450000212	5 - 10
12312303930	8 - 6	90051600005	2 - 4	C454000160	5 - 9
12312409520	8 - 27	90060300005	3 - 6	C460000072	5 - 8
12312515030	8 - 26	90072000018	4 - 2	C463000030	1 - 18
12312610631	8 - 17	9305030098	6 - 12	C617000500	1 - 23
12312703930	8 - 32	9403536201	1 - 14	J485000200	1 - 19
12312715030	8 - 19	A021003340	4 - 22	P003000150	8 - 24
12313002960	8 - 1	A021003340	8 - 0	P003001040	8 - 20
12313304260	8 - 30	A051001301	3 - 18	P003001510	8 - 22
12313404260	8 - 31	A056000210	6 - 18	P003001850	8 - 3
12313609660	8 - 37	A101000580	1 - 6	P003002240	8 - 16
12313719830	8 - 9	A160002300	4 - 33	P003002250	8 - 11
12313803930	8 - 5	A172000830	3 - 8	P003002260	8 - 21
12313903930	8 - 7	A200000352	4 - 21	P003002380	8 - 40
12314003930	8 - 4	A202000070	1 - 3	P003004170	8 - 13
12314203930	8 - 2	A204000211	4 - 24	P021005581	4 - 1
12314610631	8 - 10	A206000000	1 - 4	P021005810	6 - 20
12314926030	8 - 23	A226001420	4 - 26	P021015072	1 - 12
12318139130	4 - 27	A241000150	4 - 30	P021035190	1 - 1
12318509660	8 - 36	A300000830	2 - 5	P021036930	1 - 16
12318609660	8 - 35	A310000060	2 - 3	P022001330	3 - 20
13011005260	4 - 7	A313001120	2 - 2	P022008440	3 - 21
13033832430	4 - 43	A356000030	4 - 11	V104000732	2 - 6
13100437933	4 - 12	A356000031	4 - 11	V130000010	4 - 29
13120514930	4 - 19	A365000050	4 - 3	V137000000	4 - 10
13201309820	4 - 16	A365000050	4 - 3	V186000020	4 - 8
13211501461	4 - 6	A409000350	3 - 1	V203000080	3 - 7
13211544330	4 - 18	A411001180	3 - 9	V203000110	6 - 28
15011716430	3 - 13	A425000000	3 - 10	V203000120	2 - 7
17501203930	6 - 22	A426000020	3 - 11	V225000030	1 - 17
17721403930	6 - 4	A427000020	3 - 12	V341000120	4 - 35
17723435430	3 - 3	A440001190	3 - 16	V355000140	6 - 32
17723661830	3 - 25	A506000460	3 - 22	V356000430	6 - 2
17724704630	3 - 5	A507000110	3 - 24	V376000450	6 - 14
43101039230	10 - 2A	A514000020	3 - 4	V420001790	4 - 32
43101039931	10 - 2C	A551000080	6 - 16	V450000070	6 - 15
43101060930	10 - 2C	A551000140	6 - 17	V450000710	5 - 5
43101939230	10 - 2B	A552000100	6 - 21	V450001610	5 - 3

Index

Patrs Number	Key No.	Patrs Number	Key No.	Patrs Number	Key No.
V450001620	5 - 14				
V451000470	6 - 19				
V452000250	6 - 6				
V452000260	5 - 11				
V452001320	3 - 23				
V456000240	1 - 24				
V470000810	4 - 9				
V471001280	4 - 28				
V471001560	4 - 17				
V471002170	4 - 15				
V485001070	3 - 15				
V485001080	3 - 17				
V490000400	1 - 20				
V505000011	1 - 13				
V581000610	4 - 13				
V583000120	6 - 25				
V622000070	1 - 21				
V651000001	6 - 31				
V651000011	6 - 30				
V652000040	6 - 35				
V804000000	6 - 9				
V804000000	6 - 33				
V804000020	6 - 5				
V804000030	2 - 1				
V805000000	4 - 25				
V805000000	5 - 2				
V805000000	5 - 6				
V805000010	3 - 26				
V805000010	4 - 20				
V805000010	5 - 4				
V805000040	4 - 23				
V805000140	1 - 25				
V805000180	1 - 22				
V805000210	3 - 14				
V805000220	1 - 2				
X122000071	10 - 1A				
X122000180	10 - 1C				
X123000131	10 - 1B				
X123000230	10 - 1D				
X502000340	7 - 7				
X502000670	7 - 5				
X503010410	7 - 3				
X524001900	7 - 1				
X602000080	9 - 9				
X605000050	9 - 12				

YAMABIKO CORPORATION

7-2 SUEHIROCHO 1-CHOME, OHME, TOKYO 198-8760, JAPAN
PHONE: 81-428-32-6118. FAX: 81-428-32-6145.

11Fb
No. 03-033