



99944200536

3 Ft. Extension Attachment

FOR MODELS: SRM-2100SB, 2400SB, 210SB, 211SB, 225SB, 260SB, 261SB, PAS-2100, 2400, 2601, 210, 211, 225, 225VP, 225VPB, 230, 231, 260, 261, 265, 266, 2620

For use with Power Pruner®, Hedge Trimmer, and Articulating Hedge Trimmer attachments only.

Operator's Manual

WARNING



Users of this equipment risk injury to themselves and others if the unit is used improperly and/or safety precautions are not followed. ECHO provides an operator's manual and a safety manual. Both must be read and understood for proper and safe operation. Failure to do so could result in serious injury.

Specifications, descriptions and illustrative material in this literature are as accurate as known at the time of publication, but are subject to change without notice. Illustrations may include optional equipment and accessories, and may not include all standard equipment.

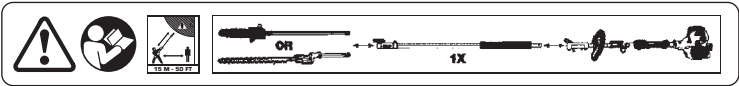
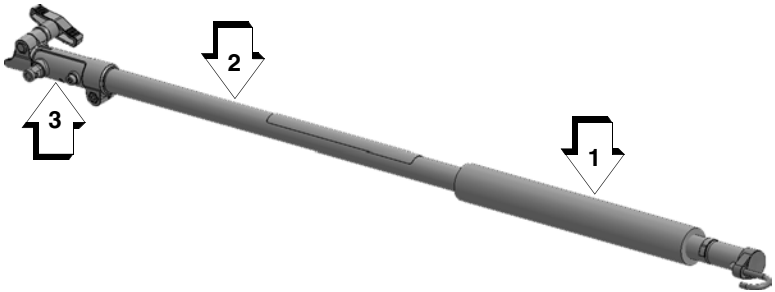
TABLE OF CONTENTS

Description 3
Contents..... 3
Assembly..... 4
 3 Ft. Extension Installation..... 4
Specifications..... 5
Product Registration..... 6

DESCRIPTION

Locate the safety decal(s) on your unit. Make sure the decal(s) is legible and that you understand and follow the instructions on it. If a decal cannot be read, a new one can be ordered from your ECHO dealer.

ENGLISH



1. LEFT HAND SHAFT GRIP - Cushioned grip for left hand.
2. DRIVE SHAFT ASSEMBLY - Lightweight aluminum drive shaft extends reach.
3. COUPLER

CONTENTS

The ECHO product you purchased has been factory pre-assembled for your convenience. Due to packaging restrictions, some assembly may be necessary.

After opening the carton, check for damage. Immediately notify your retailer or ECHO Dealer of damaged or missing parts. Use the contents list to check for missing parts.

- ___ 1 3 ft. (914.4 mm) Extension Attachment
- ___ 1 Storage Hook Assembly
- ___ 1 Operator's Manual

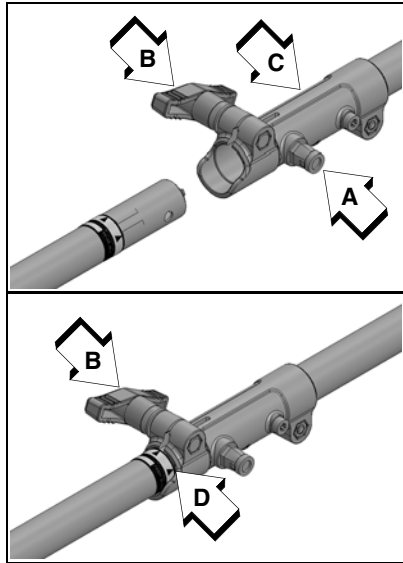
ASSEMBLY

3 Ft. Extension Installation

WARNING

The Pro Attachment Series is designed to accept only one extension. Use of more than one extension can result in balance and control problems leading to possible personal injury to operator and bystanders and/or unit damage. Use this extension with ECHO Pro Attachment Series models ONLY.

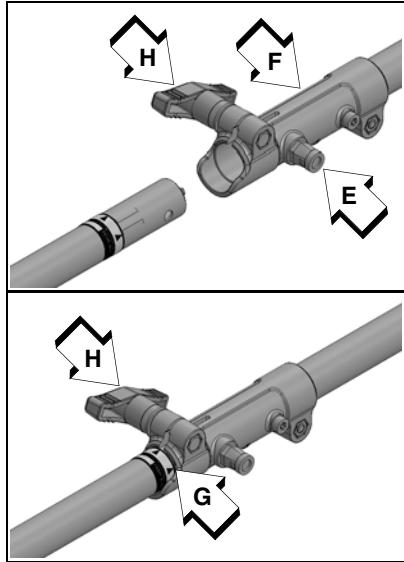
1. Pull locator pin (A) on PAS power source, and turn counter clockwise $\frac{1}{4}$ turn to lockout position. Loosen clamping knob (B) and remove attachment from power source.
2. Remove storage hook assembly from the extension.
3. Carefully fit extension drive shaft assembly into power source coupler (C) to decal assembly line (D), making sure that the inner lower drive shaft engages into the square upper drive shaft socket.



Note: Your coupler may appear different than the coupler shown.

4. Rotate locator pin on power source coupler (A) $\frac{1}{4}$ turn clockwise to engage drive shaft hole. Insure locator pin is fully engaged by twisting lower drive shaft. Locator pin should snap flush in coupler. Full engagement will prevent further shaft rotation.
5. Secure extension to coupler by tightening clamping knob (B).

- 6. Pull locator pin (E) on extension and turn counter clockwise ¼ turn to lockout position.
- 7. Carefully fit attachment drive shaft assembly into extension coupler (F) to decal assembly line (G), making sure that the inner lower drive shaft engages into the square upper drive shaft socket.
- 8. Rotate locator pin (E) on extension coupler (F) ¼ turn clockwise to engage drive shaft hole. Insure locator pin is fully engaged by twisting lower drive shaft. Locator pin should snap flush in coupler. Full engagement will prevent further shaft rotation.
- 9. Secure attachment to extension by tightening clamping knob (H).



SPECIFICATIONS

MODEL	999442004536
Length	995 mm (39.2 in.)
Width	81 mm (3.2 in.)
Weight	1.21 kg (2.66 lb.)
Drive Shaft	0.25 in. (6.35 mm) Flexible Shaft
Coupler	Aluminum die case with plastic knob and insertion guide lip
Handle	Foamed Rubber Grip

PRODUCT REGISTRATION

Thank you for choosing ECHO Power Equipment

Please go to <http://www.echo-usa.com/Warranty/Register-Your-ECHO> to register your new product on-line. It's **FAST** and **EASY!** NOTE: your information will never be sold or misused by ECHO, Inc. Registering your purchase enables us to contact you in the unlikely event of a service update or product recall, and verifies your ownership for warranty consideration.

If you do not have access to the Internet, you can complete the form below and mail to:

ECHO Inc., Product Registration, PO Box 1139, Lake Zurich IL 60047.



PRODUCT REGISTRATION CARD : TARJETA DE REGISTRO : CARTE D'ENREGISTREMENT DU PRODUIT

ONLINE OPTION: Register online and save a stamp! You will be alerted of product updates and/or be sent new ECHO product information and special offers. Simply go to: www.echo-usa.com

OPCIÓN POR INTERNET: Regístrese en la página web y ahorre una estampilla! Le alertarán sobre actualizaciones del producto y/o se le enviará información sobre los nuevos productos ECHO y ofertas especiales. Simplemente visite: www.echo-usa.com

OPTION EN LIGNE: Enregistrer en ligne et épargner un timbre! Vous serez informé sur les nouveaux produits ECHO et les mises à jour de produit ainsi que les offres spéciales. Simplement visitez le: www.echo-usa.com

Please Print : Por Favor Enscriba Con Letra De Molde : En Lettre Carré S.V.P.

Confidential: Information provided will not be shared or sold

Purchaser's Name : Nombre del Comprador : Nom de l'acheteur	
Address : Dirección : Adresse	
City : Ciudad : Ville	Zip Code - Código Postal : Code Postal
State : Estado : Province	
E-Mail Address : Dirección De Correo Electrónico : Courriel Électronique	
Phone Number : Número De Teléfono : Téléphone	Date of Purchase : Fecha de la Compra : Date de l'achat
Where Purchased : Nombre del Almacén donde fue Comprado : Lieu d'achat	
Model Number : Número del Modelo : No. de modèle	
Serial Number : Número de Serie : No. de série	

Registering your purchase enables us to contact you in the unlikely event of a service update or product recall and verifies your purchase for warranty purposes. We reserve the right to discontinue this service at any time without notice. Please do not contact us for a service or warranty claim as the time of purchase or the revocation of the product and verification of the purchase in case of a recall or period. L'enregistrement de votre achat nous permettra de vous contacter dans le cas improbable de modifications des instructions d'emballage ou de rappel du produit et vérifier que vous êtes le propriétaire en cas de vol ou de perte.

Primary use of tool: Professional Homeowner Rental Equip.
 Uso primario de la herramienta: Profesional Dueño de casa Alquiler
 Usage principal: Professionnel Résidentiel Location
 Do you wish to receive periodic ECHO product information and special offers by e-mail? Yes No

¿Desea usted recibir información periódica y ofertas especiales por correo electrónico sobre el producto ECHO? Yes No

Souhaitez-vous recevoir périodiquement de l'information sur les produits ECHO et les offres spéciales par courrier électronique? Oui Non

Did you visit the ECHO website before purchasing your product? Yes No
 Visité usted la página web ECHO antes de comprar su producto? Si No

Avez-vous visité le site d'ECHO avant de procurer votre produit? Oui Non

What factor(s) most influenced your purchase?

- Performance
- Price
- Dealer
- Reliability
- Prior Experience
- Quality
- Friend/Family
- Brand
- Warranty

¿Que factor(es) influenció más en su compra?
 Funcionamiento Precio Distribuidor
 Confiabilidad Experiencia Anterior Calidad
 Amigo/Familia Marca Garantía

Quel facteur (facteurs) vous a influencé le plus?
 Performance Prix Marchand
 Fiabilité Expérience Qualité
 Ami/Famille Marque Garantie

ECHO INC., 400 Oakwood Rd., Lake Zurich, IL 60047
 1.800.432.ECHO WWW.ECHO-USA.COM

X7572270206 02-2012

ENGLISH





ECHO, INCORPORATED

400 Oakwood Road
Lake Zurich, IL 60047

www.echo-usa.com