

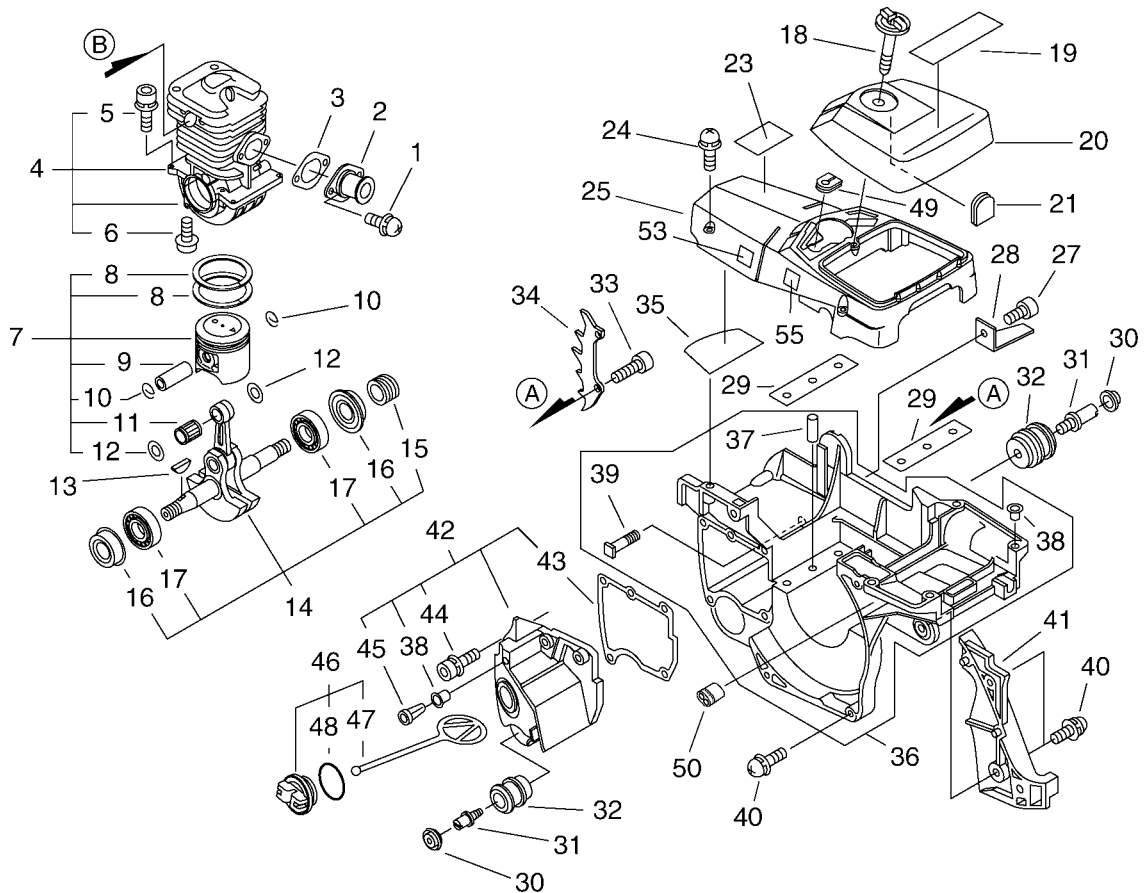


PARTS CATALOGUE

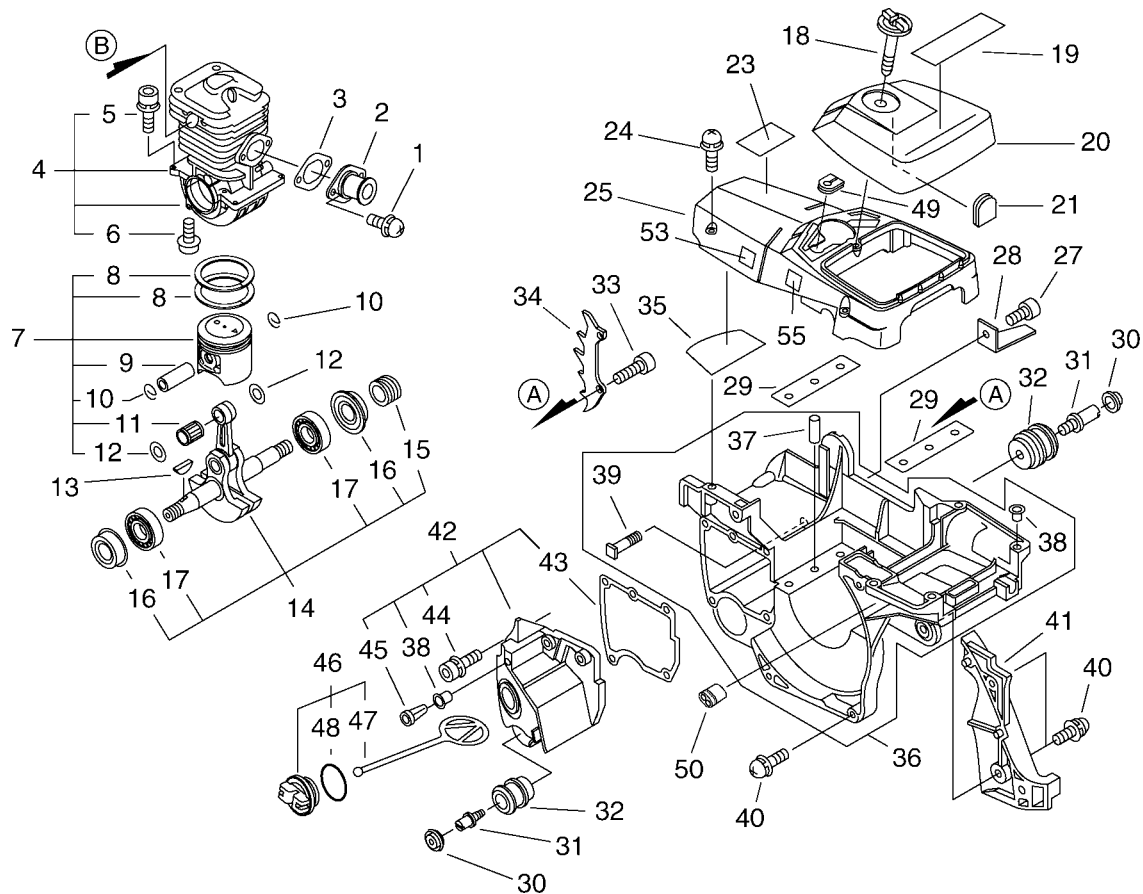
CHAIN SAW

CS-510

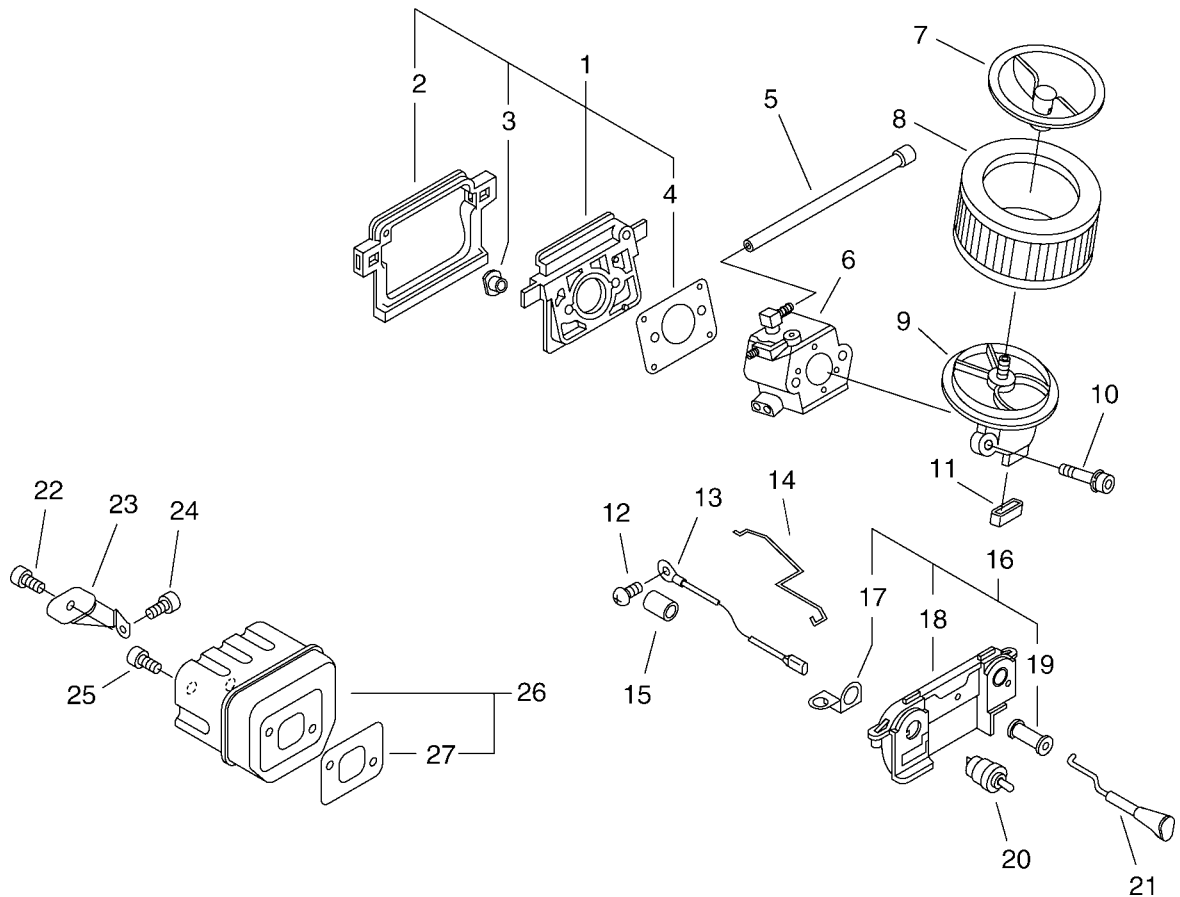
99922202059



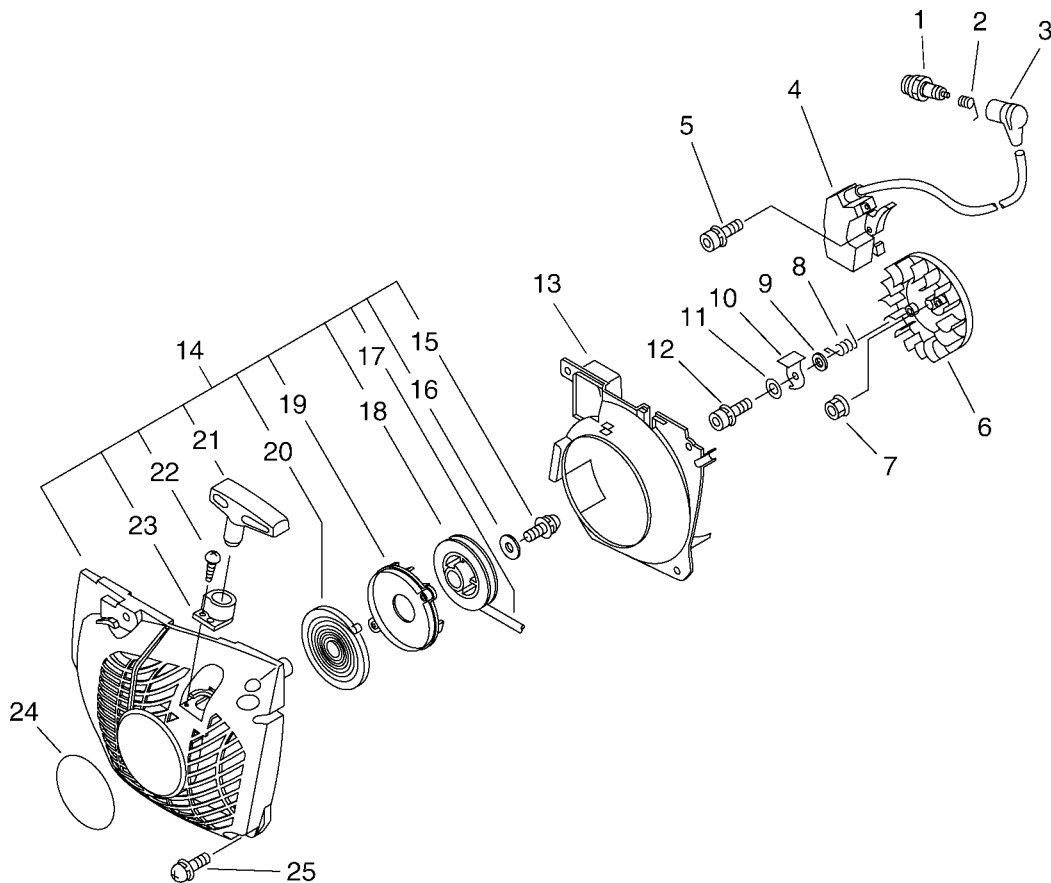
KEY	LV	PART NUMBER	Q'TY	DESCRIPTION	REMARKS
1		90023805012	2	SCREW 5*12	
2		13051039932	1	ADAPTER, INTAKE	
3		13001639930	1	GASKET, INTAKE	
4		P021004092	1	CRANKCASE SET	
5	+	V203000170	4	BOLT,5	
6	+	90010605020	4	BOLT, H.S. 5*20	
7		P021001064	1	PISTON KIT	
8	+	10001139731	2	RING, PISTON	
9	+	V609000000	1	PIN,ENG 11	
10	+	10001532330	2	CIRCLIP, PISTON PIN	
11	+	V556000000	1	BEARING,NEEDLE 11	
12	+	V308000010	2	WASHER,CIRCULAR 11	
13		10014230830	1	KEY, WOODRUFF	
14		P021001071	1	CRANKSHAFT,ASSY	
15	+	V652000000	1	GEAR,WORM	
16	+	V508000000	2	SEAL,OIL 15	
17	+	90081036202	2	BEARING, BALL 6202	
18		A235000020	1	KNOB,CLEANER LID	
19		X503008310	1	LABEL,MODEL	
20		A232000023	1	LID,CLEANER	
21		13033832430	1	PLUG, COVER	
23		89034539230	1	LABEL,CAUTION	
24		16389038330	3	BOLT, 5	
25		A160000950	1	COVER,CYLINDER	



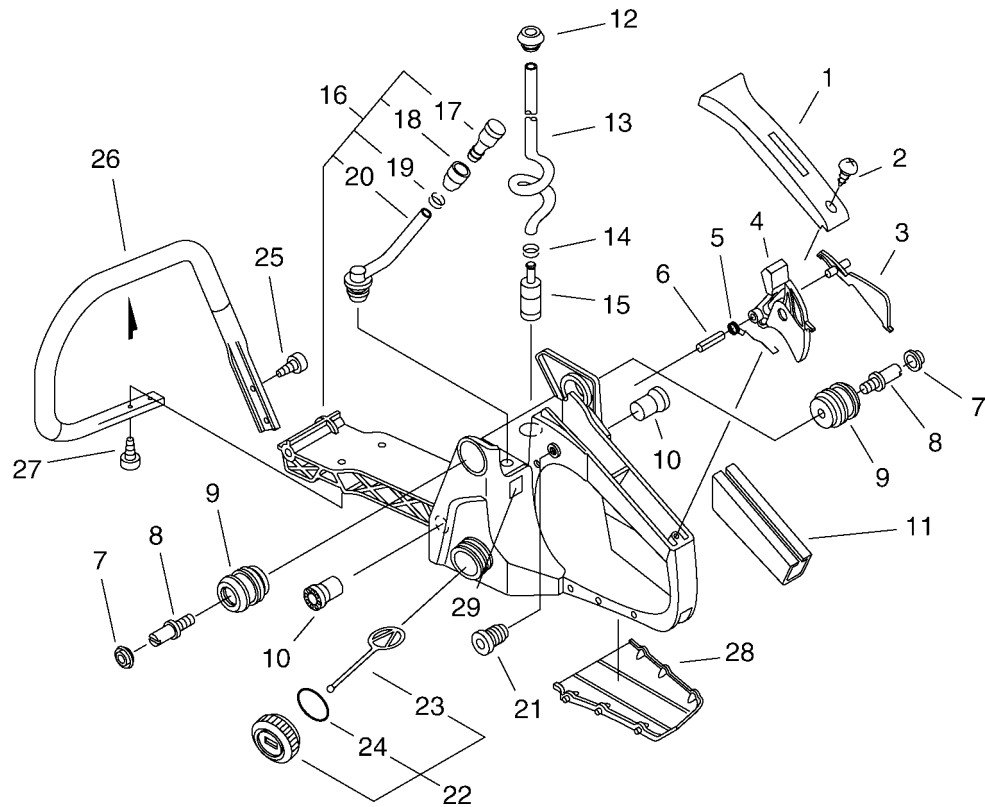
KEY	LV	PART NUMBER	Q'TY	DESCRIPTION	REMARKS
27		90016205014	1	BOLT, H.S. 5*14	
28		C310000000	1	CATCHER, CHAIN	
29		V150001740	2	PLATE, EYE	
30		10091838330	2	CAP, CUSHION	
31		10091533930	2	SCREW	
32		10092138330	2	CUSHION	
33		90010505012	2	BOLT, H.S. 5*12	
34		C304000030	1	SPIKED	
35		10152035430	1	COVER	
36		P021012470	1	COVER, ENGINE	
37	+	10021503930	2	PIN, DOWEL	
38	+	43601838330	2	PIN, DOWEL	
39	+	43301119830	2	STUD, GUIDE BAR	
40		90023805016	3	SCREW 5*16	
41		C300000321	1	GUARD, SPROCKET	
42		P021012550	1	TANK, OIL	
38	+	43601838330	1	PIN, DOWEL	
43	+	43601938330	1	GASKET, OIL TANK	
44	+	90016204016	3	BOLT, H.S. 4*16	
45	+	43611413930	1	VALVE, CHECK	
46		P021007630	1	CAP ASY, TANK	
47	+	A365000050	1	CONNECTOR, CAP	
48	+	90072100025	1	O-RING 25	
49		V135000010	1	GROMMET, HT CORD	
50		12901033330	1	GROMMET	



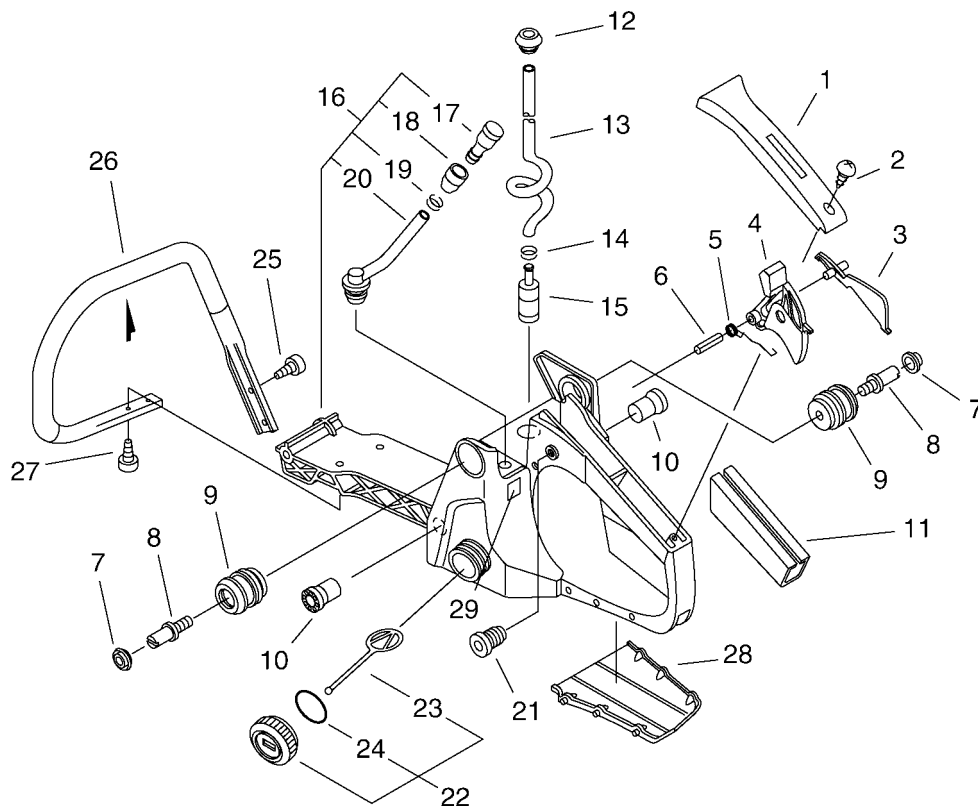
KEY	LV	PART NUMBER	Q'TY	DESCRIPTION	REMARKS
1		13000038331	1	INSULATOR ASY,INTAKE	
2	+	V420001130	1	CUSHION	
3	+	13002033330	2	NUT	
4	+	13001038330	1	GASKET, INTAKE	
5		13011038330	1	PIPE, IMPULSE	
6		A021000561	1	CARBURETOR,DIAPHRAGM	
7		13040538332	1	BRACKET, AIR CLEANER	
8		13031038331	1	FILTER, AIR	
9		A204000004	1	ELBOW,CARBURETOR	
10		90016205050	2	BOLT, H.S. 5*50	
11		13043038330	1	CUSHION	
12		90022004006	1	SCREW 4*6	
13		16201038332	1	LEAD, GROUND	
14		C454000150	1	ROD, THROTTLE	
15		C483000000	1	BOOT,CONNECTOR	
16		16380438935	1	BRACKET, SWITCH	
17	+	16341338930	1	PLATE, SWITCH	
18	+	16381038933	1	BRACKET, SWITCH	
19	+	17881014534	1	GROMMET	
20		16340038330	1	SWITCH, IGNITION	
21		A241000101	1	KNOB, CHOKE	
22		9110006008	1	BOLT	
23		A319000080	1	STAY, MUFFLER	
24		90010506014	1	BOLT, H.S. 6*14	
25		90010505014	2	BOLT, H.S. 5*14	
26		P021013461	1	MUFFLER ASY	
27	+	14551035431	1	GASKET, MUFFLER	



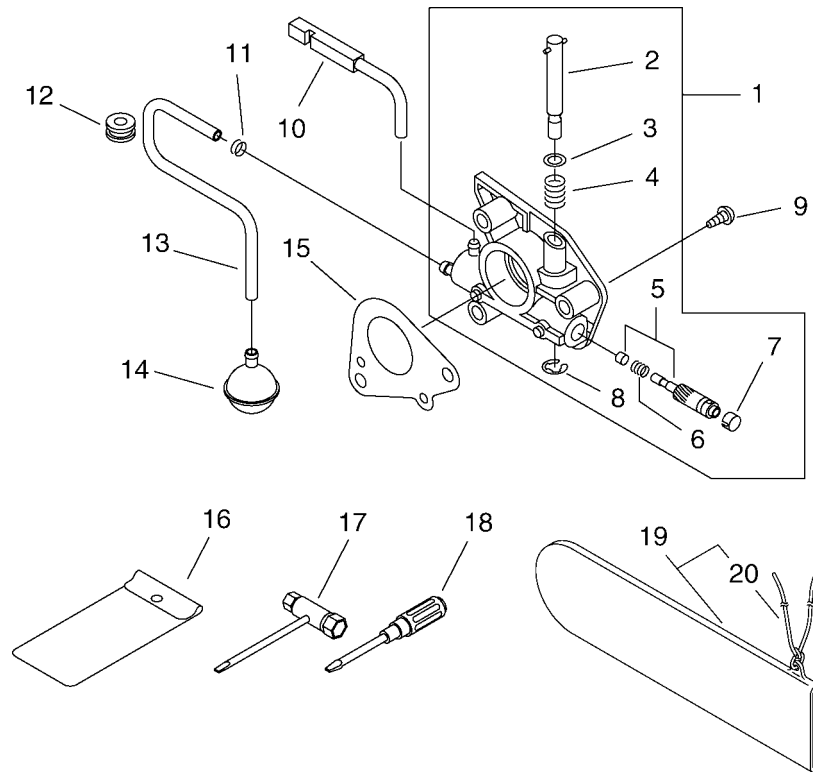
KEY	LV	PART NUMBER	Q'TY	DESCRIPTION	REMARKS
1		15901019830	1	PLUG, SPARK (BPM-8Y)	
2		A426000010	1	TERMINAL, SPARK PLUG	
3		A427000013	1	CAP, SPARK PLUG	
4		A411000031	1	COIL, IGNITION	
5		90016204030	2	BOLT, H.S. 4*30	
6		A409000030	1	ROTOR, MAGNETO	
7		90051500008	1	NUT, FLANGE 8	
8		17723435430	2	SPRING, RETURN	
9		90060300005	2	WASHER 5	
10		17721819830	2	PAWL, STARTER	
11		17724704630	2	SPACER, RATCHET	
12		V203000090	2	BOLT, 5	
13		A172000062	1	COVER, FAN	
14		P021013481	1	STARTER ASY	
15	+	90023805012	1	SCREW 5*12	
16	+	17721402830	1	WASHER	
17	+	17722619830	1	ROPE, STARTER	
18	+	A506000100	1	REEL, ROPE	
19	+	17722135430	1	PLATE, STARTER	
20	+	17722035430	1	SPRING, REWIND	
21	+	17722835430	1	GRIP, STARTER (BL)	
22	+	90029603014	1	SCREW 3*14	
23	+	17722737930	1	GUIDE, ROPE	
24		X502000410	1	LABEL, ECHO	
25		90023805018	3	SCREW 5*18	



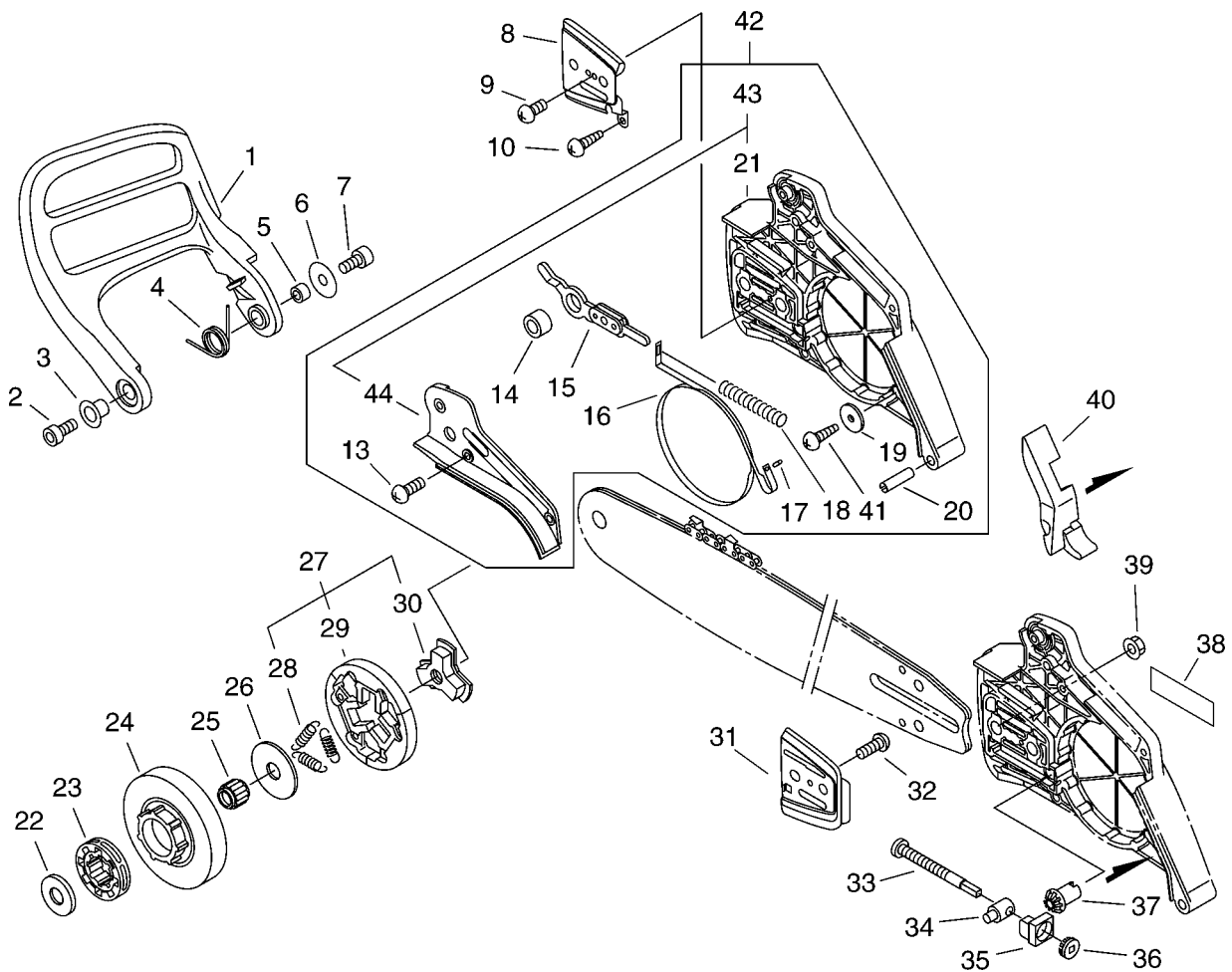
KEY	LV	PART NUMBER	Q'TY	DESCRIPTION	REMARKS
1		35115535430	1	COVER, HANDLE (BL)	
2		90025304014	1	SCREW 4*14	
3		C460000072	1	LOCKOUT, THROTTLE	
4		C450000212	1	CONTROL, THROTTLE	
5		V452000260	1	SPRING, TORSION	
6		90034540030	1	PIN, SPRING 4*30SUS	
7		10091838330	2	CAP, CUSHION	
8		10091532530	2	BOLT	
9		10092138330	2	CUSHION	
10		10091038330	2	CUSHION	
11		35111119830	1	GRIP, HANDLE	
12		13211504920	1	GROMMET	
13		13201038331	1	PIPE	
14		13201326630	1	CLIP	
15		13120519831	1	STRAINER, FUEL	
16		P021012561	1	HANDLE ASY, REAR	
17	+	13130056430	1	VALVE, CHECK	
18	+	13132840630	1	COVER, VENT	
19	+	13201326630	1	CLIP	
20	+	13201239331	1	PIPE	
21		V162000040	1	PLUG	
22		P021010600	1	FUEL CAP ASY	
23	+	A365000050	1	CONNECTOR, CAP	
24	+	90072000022	1	O-RING 22	



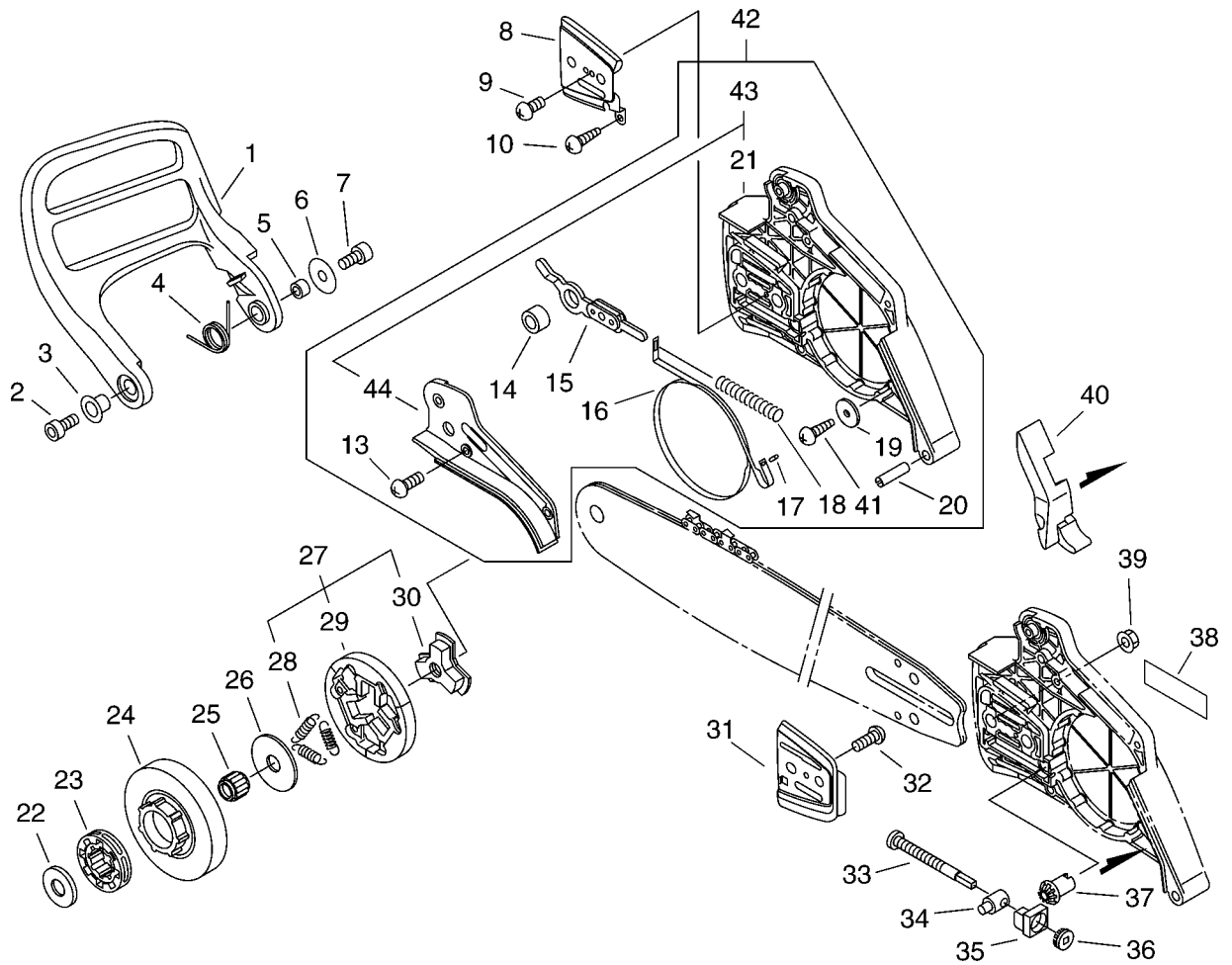
KEY	LV	PART NUMBER	Q'TY	DESCRIPTION	REMARKS
25		9114505020	2	BOLT HS TAPPING	
26		C400000010	1	HANDLE,FRONT	
27		9114505016	2	BOLT HS TAPPING	
28		C418000040	1	SHIELD,SNOW	
29		89015739130	1	LABEL, SWITCH	



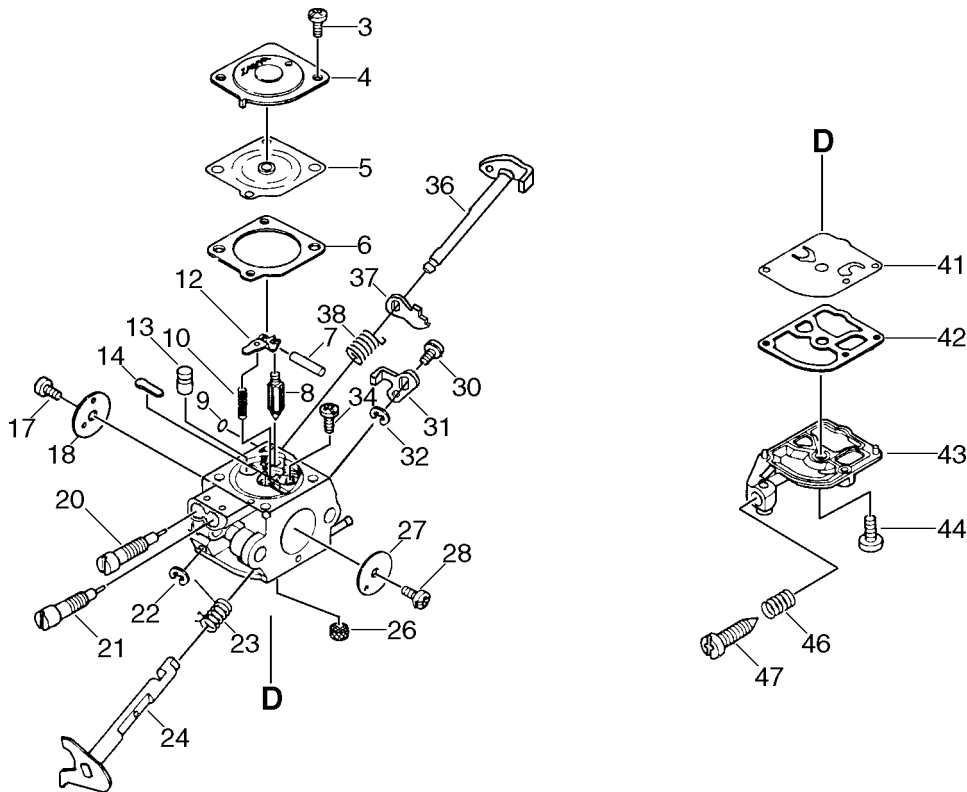
KEY	LV	PART NUMBER	Q'TY	DESCRIPTION	REMARKS
1		43700238330	1	AUTO-OILER ASSY	
2	+	43701638330	1	NEEDLE, ADJUST	
3	+	43702937330	1	WASHER	
4	+	43701537330	1	SPRING	
5	+	43702437330	1	PLUNGER	
6	+	43701938330	1	SPRING	
7	+	43706238330	1	CAP, OIL PUMP	
8	+	12312715030	1	RING	
9		90022304016	2	SCREW	
10		43722938331	1	PIPE	
11		13201326630	1	CLIP	
12		13211512330	1	GROMMET	
13		43721038330	1	PIPE, OIL	
14		43620514730	1	STRAINER, OIL	
15		17531038330	1	PLATE, SEAL	
16		89851007130	1	BAG, TOOL	
17		X602000080	1	TOOL, WRENCH	
18		89581100130	1	DRIVER, SCREW 125	
19		89854814531	1	SCABBARD, CHAIN	
20	+	89856814530	1	ROPE	



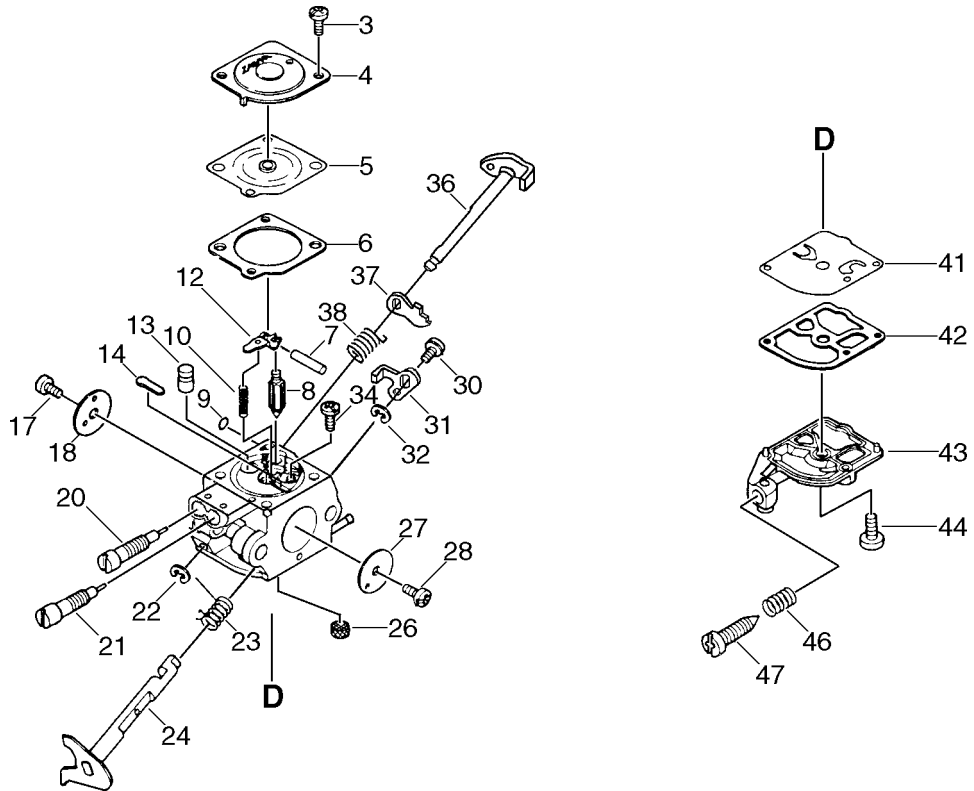
KEY	LV	PART NUMBER	Q'TY	DESCRIPTION	REMARKS
1		C320000141	1	LEVER, BRAKE	
2		90010505030	1	BOLT, H.S. 5*30	
3		V356000300	1	COLLAR,10	
4		V452000250	1	SPRING,TORSION	
5		43311635430	1	SPACER 8	
6		17721403930	1	WASHER	
7		V202000120	1	BOLT,4	
8		C305000001	1	PLATE, SPROCKET GUARD	
9		90022003006	1	SCREW 3*6	
10		V202000060	1	BOLT,4	
42		C032000321	1	BRAKE ASY, CHAIN	
12	+	C345000240	1	COVER,BRAKE	
13	+	V202000060	3	BOLT,4	
14	+	43311635430	1	SPACER 8	
15	+	C334000090	1	CONNECTOR, BRAKE	
16	+	C328000110	1	BAND, BRAKE	
17	+	90033030120	1	PIN	
18	+	V450000070	1	SPRING, COMPRESSION	
19	+	35124906960	1	WASHER	
20	+	90034260025	1	PIN, SPRING	
43	+	P021015240	1	GUARD, SPROCKET KIT	
21	++	C300000351	1	GUARD, SPROCKET	
44	++	C345000241	1	COVER,BRAKE	
41	+	90025304016	1	SCREW 4*16	



KEY	LV	PART NUMBER	Q'TY	DESCRIPTION	REMARKS
22		A551000000	1	PLATE,CLUTCH	
23		17511412530	1	SPROCKET, RIM .325	
24		A556000021	1	DRUM,CLUTCH	
25		V557000010	1	BEARING,NEEDLE 12	
26		A551000060	1	PLATE,CLUTCH	
27		A056000111	1	CLUTCH	
28	+	V451000500	3	SPRING,TENSION	
29	+	P021007050	1	CLUTCH SHOE SET	
30	+	A552000090	1	HUB, CLUTCH	
31		43301335432	1	PLATE, GUIDE (INNER)	
32		90022004006	1	SCREW 4*6	
33		V203000110	1	BOLT,5	
34		C309000030	1	TENSIONER,CHAIN	
35		V355000270	1	COLLAR,8	
36		V651000011	1	GEAR,BEVEL	
37		V651000001	1	GEAR,BEVEL	
38		X502000340	1	LABEL,ECHO	
39		43301912330	2	NUT, FLANGE 8	
40		C302000000	1	PAD, GUARD	



KEY	LV	PART NUMBER	Q'TY	DESCRIPTION	REMARKS
		A021000561	1	CARBURETOR,DIAPHRAGM	
3	+	12534452130	2	SCREW	
4	+	12534213210	1	COVER, DIAPHRAGM	
5	+	12534149030	1	DIAPHRAGM	
6	+	12534042030	1	GASKET, DIAPHRAGM	
7	+	12533813930	1	PIN, METERING ARM	
8	+	12533708260	1	VALVE, INLET NEEDLE	
9	+	12534513310	1	PLUG, WELCH	
10	+	12532213930	1	SPRING, COIL	
12	+	12532308260	1	ARM, VALVE	
13	+	P005000770	1	NOZZLE CHECK VALVE	
14	+	12534551030	1	PLUG, WELCH	
17	+	12531451230	1	SCREW	
18	+	P005000900	1	VALVE, CHOKE	
20	+	P005000850	1	NEEDLE, HIGH SPEED	
21	+	P005000840	1	NEEDLE, IDLE	
22	+	12532715130	1	CLIP	
23	+	P005000790	1	SPRING, THRT.RETURN	
24	+	P005000780	1	SHAFT ASY, THROTTLE	
26	+	P005000860	1	SCREEN, FUEL INLET	
27	+	P005000810	1	VALVE, THROTTLE	
28	+	12531413930	1	SCREW	
30	+	12534813930	1	SCREW	
31	+	P005000800	1	LEVER, THROTTLE	



KEY	LV	PART NUMBER	Q'TY	DESCRIPTION	REMARKS
32	+	12532713930	1	CLIP	
34	+	12533913930	1	SCREW	
36	+	P005001310	1	SHAFT, CHOKE	
37	+	P005001300	1	LEVER, CHOKE	
38	+	P005000880	1	SPRING, CHOKE RETURN	
41	+	P005000820	1	DIAPHRAGM, PUMP	
42	+	12532508360	1	GASKET, PUMP	
43	+	P005000830	1	COVER, PUMP	
44	+	12531013930	1	SCREW	
46	+	12533306960	1	SPRING, IDLE ADJUSTER	
47	+	12534408560	1	SCREW	

KEY	LV	PART NUMBER	Q'TY	DESCRIPTION	REMARKS
		P005000910	1	DIAPHRAGM/GASKET KIT	
741	+	P005000820	1	DIAPHRAGM, PUMP	
742	+	12532508360	1	GASKET, PUMP	
705	+	12534149030	1	DIAPHRAGM	
706	+	12534042030	1	GASKET, DIAPHRAGM	
		P005000920	1	REBUILD KIT	
741	+	P005000820	1	DIAPHRAGM, PUMP	
742	+	12532508360	1	GASKET, PUMP	
708	+	12533708260	1	VALVE, INLET NEEDLE	
712	+	12532308260	1	ARM, VALVE	
710	+	12532213930	1	SPRING, COIL	
707	+	12533813930	1	PIN, METERING ARM	
705	+	12534149030	1	DIAPHRAGM	
706	+	12534042030	1	GASKET, DIAPHRAGM	
714	+	12534551030	1	PLUG, WELCH	
726	+	P005000860	1	SCREEN, FUEL INLET	

Index

Parts Number	Key No.	Parts Number	Key No.	Parts Number	Key No.
A021000561	2 - 6	P005000840	7 - 21	X602000080	5 - 17
A021000561	7 -	P005000850	7 - 20	10001139731	1 - 8
A056000111	6 - 27	P005000860	7 - 26	10001532330	1 - 10
A160000950	1 - 25	P005000860	9 - 26	10014230830	1 - 13
A172000062	3 - 13	P005000880	7 - 38	10021503930	1 - 37
A204000004	2 - 9	P005000900	7 - 18	10091038330	4 - 10
A232000023	1 - 20	P005000910	8 -	10091532530	4 - 8
A235000020	1 - 18	P005000920	9 -	10091533930	1 - 31
A241000101	2 - 21	P005001300	7 - 37	10091838330	1 - 30
A319000080	2 - 23	P005001310	7 - 36	10091838330	4 - 7
A365000050	1 - 47	P021001064	1 - 7	10092138330	1 - 32
A365000050	4 - 23	P021001071	1 - 14	10092138330	4 - 9
A409000030	3 - 6	P021004092	1 - 4	10152035430	1 - 35
A411000031	3 - 4	P021007050	6 - 29	12312715030	5 - 8
A426000010	3 - 2	P021007630	1 - 46	12531013930	7 - 44
A427000013	3 - 3	P021010600	4 - 22	12531413930	7 - 28
A506000100	3 - 18	P021012470	1 - 36	12531451230	7 - 17
A551000000	6 - 22	P021012550	1 - 42	12532213930	7 - 10
A551000060	6 - 26	P021012561	4 - 16	12532213930	9 - 10
A552000090	6 - 30	P021013461	2 - 26	12532308260	7 - 12
A556000021	6 - 24	P021013481	3 - 14	12532308260	9 - 12
C032000321	6 - 42	P021015240	6 - 43	12532508360	7 - 42
C300000321	1 - 41	V135000010	1 - 49	12532508360	8 - 42
C300000351	6 - 21	V150001740	1 - 29	12532508360	9 - 42
C302000000	6 - 40	V162000040	4 - 21	12532713930	7 - 32
C304000030	1 - 34	V202000060	6 - 10	12532715130	7 - 22
C305000001	6 - 8	V202000060	6 - 13	12533306960	7 - 46
C309000030	6 - 34	V202000120	6 - 7	12533708260	7 - 8
C310000000	1 - 28	V203000090	3 - 12	12533708260	9 - 8
C320000141	6 - 1	V203000110	6 - 33	12533813930	7 - 7
C328000110	6 - 16	V203000170	1 - 5	12533813930	9 - 7
C334000090	6 - 15	V308000010	1 - 12	12533913930	7 - 34
C345000240	6 - 12	V355000270	6 - 35	12534042030	7 - 6
C345000241	6 - 44	V356000300	6 - 3	12534042030	9 - 6
C400000010	4 - 26	V420001130	2 - 2	12534149030	7 - 5
C418000040	4 - 28	V450000070	6 - 18	12534149030	8 - 5
C450000212	4 - 4	V451000500	6 - 28	12534149030	9 - 5
C454000150	2 - 14	V452000250	6 - 4	12534213210	7 - 4
C460000072	4 - 3	V452000260	4 - 5	12534408560	7 - 47
C483000000	2 - 15	V508000000	1 - 16	12534452130	7 - 3
P005000770	7 - 13	V556000000	1 - 11	12534513310	7 - 9
P005000780	7 - 24	V557000010	6 - 25	12534551030	7 - 14
P005000790	7 - 23	V609000000	1 - 9	12534551030	9 - 14
P005000800	7 - 31	V651000001	6 - 37	12534813930	7 - 30
P005000810	7 - 27	V651000011	6 - 36	12901033330	1 - 50
P005000820	7 - 41	V652000000	1 - 15	13000038331	2 - 1
P005000820	8 - 41	X502000340	6 - 38	13001038330	2 - 4
P005000820	9 - 41	X502000410	3 - 24	13001639930	1 - 3
P005000830	7 - 43	X503008310	1 - 19	13002033330	2 - 3

Index

Parts Number	Key No.	Parts Number	Key No.	Parts Number	Key No.
13011038330	2 - 5	43700238330	5 - 1		
13031038331	2 - 8	43701537330	5 - 4		
13033832430	1 - 21	43701638330	5 - 2		
13040538332	2 - 7	43701938330	5 - 6		
13043038330	2 - 11	43702437330	5 - 5		
13051039932	1 - 2	43702937330	5 - 3		
13120519831	4 - 15	43706238330	5 - 7		
13130056430	4 - 17	43721038330	5 - 13		
13132840630	4 - 18	43722938331	5 - 10		
13201038331	4 - 13	89015739130	4 - 29		
13201239331	4 - 20	89034539230	1 - 23		
13201326630	4 - 14	89581100130	5 - 18		
13201326630	4 - 19	89851007130	5 - 16		
13201326630	5 - 11	89854814531	5 - 19		
13211504920	4 - 12	89856814530	5 - 20		
13211512330	5 - 12	90010505012	1 - 33		
14551035431	2 - 27	90010505014	2 - 25		
15901019830	3 - 1	90010505030	6 - 2		
16201038332	2 - 13	90010506014	2 - 24		
16340038330	2 - 20	90010605020	1 - 6		
16341338930	2 - 17	90016204016	1 - 44		
16380438935	2 - 16	90016204030	3 - 5		
16381038933	2 - 18	90016205014	1 - 27		
16389038330	1 - 24	90016205050	2 - 10		
17511412530	6 - 23	90022003006	6 - 9		
17531038330	5 - 15	90022004006	2 - 12		
17721402830	3 - 16	90022004006	6 - 32		
17721403930	6 - 6	90022304016	5 - 9		
17721819830	3 - 10	90023805012	1 - 1		
17722035430	3 - 20	90023805012	3 - 15		
17722135430	3 - 19	90023805016	1 - 40		
17722619830	3 - 17	90023805018	3 - 25		
17722737930	3 - 23	90025304014	4 - 2		
17722835430	3 - 21	90025304016	6 - 41		
17723435430	3 - 8	90029603014	3 - 22		
17724704630	3 - 11	90033030120	6 - 17		
17881014534	2 - 19	90034260025	6 - 20		
35111119830	4 - 11	90034540030	4 - 6		
35115535430	4 - 1	90051500008	3 - 7		
35124906960	6 - 19	90060300005	3 - 9		
43301119830	1 - 39	90072000022	4 - 24		
43301335432	6 - 31	90072100025	1 - 48		
43301912330	6 - 39	90081036202	1 - 17		
43311635430	6 - 5	9110006008	2 - 22		
433116-35430	6 - 14	9114505016	4 - 27		
43601838330	1 - 38	9114505020	4 - 25		
43601938330	1 - 43				
43611413930	1 - 45				
43620514730	5 - 14				



KIORITZ CORPORATION

7-2 SUEHIROCHO 1-CHOME, OHME, TOKYO 198-8711, JAPAN
PHONE: 81-428-32-6118. FAX: 81-428-32-6145.



200802 No.64-242(651051)