



Accessories for ECHO products can be found at:

Los accesorios para los productos ECHO se pueden encontrar en:

www.echo-usa.com/products/catalogs

PARTS CATALOG

WT-1610 Wheel Trimmer



160 cc

SERIAL NUMBER

NÚMERO DE SERIE

100WTB000001 - 100WTB999999

ECHO Incorporated

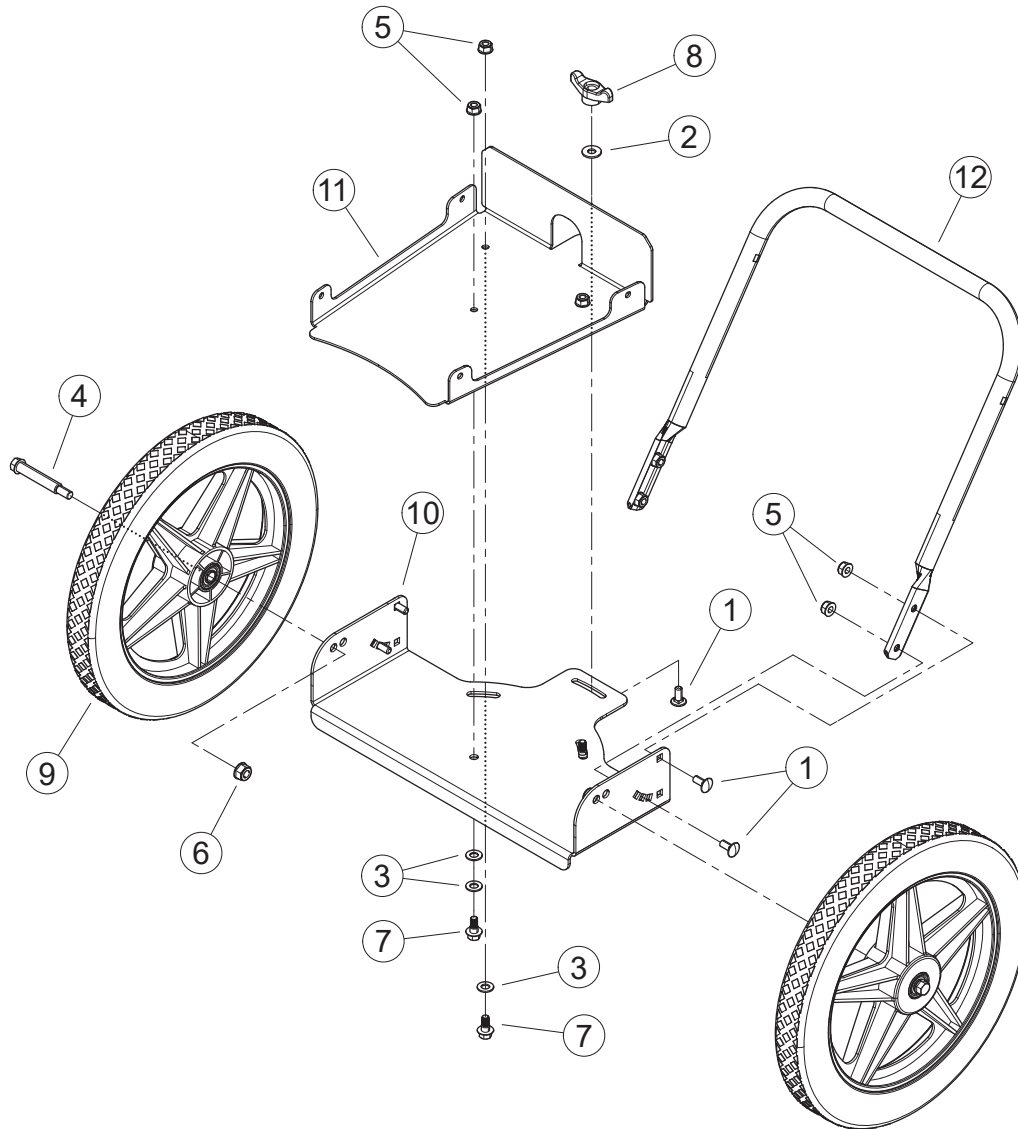
400 Oakwood Road, Lake Zurich, Illinois 60047

WWW.ECHO-USA.COM

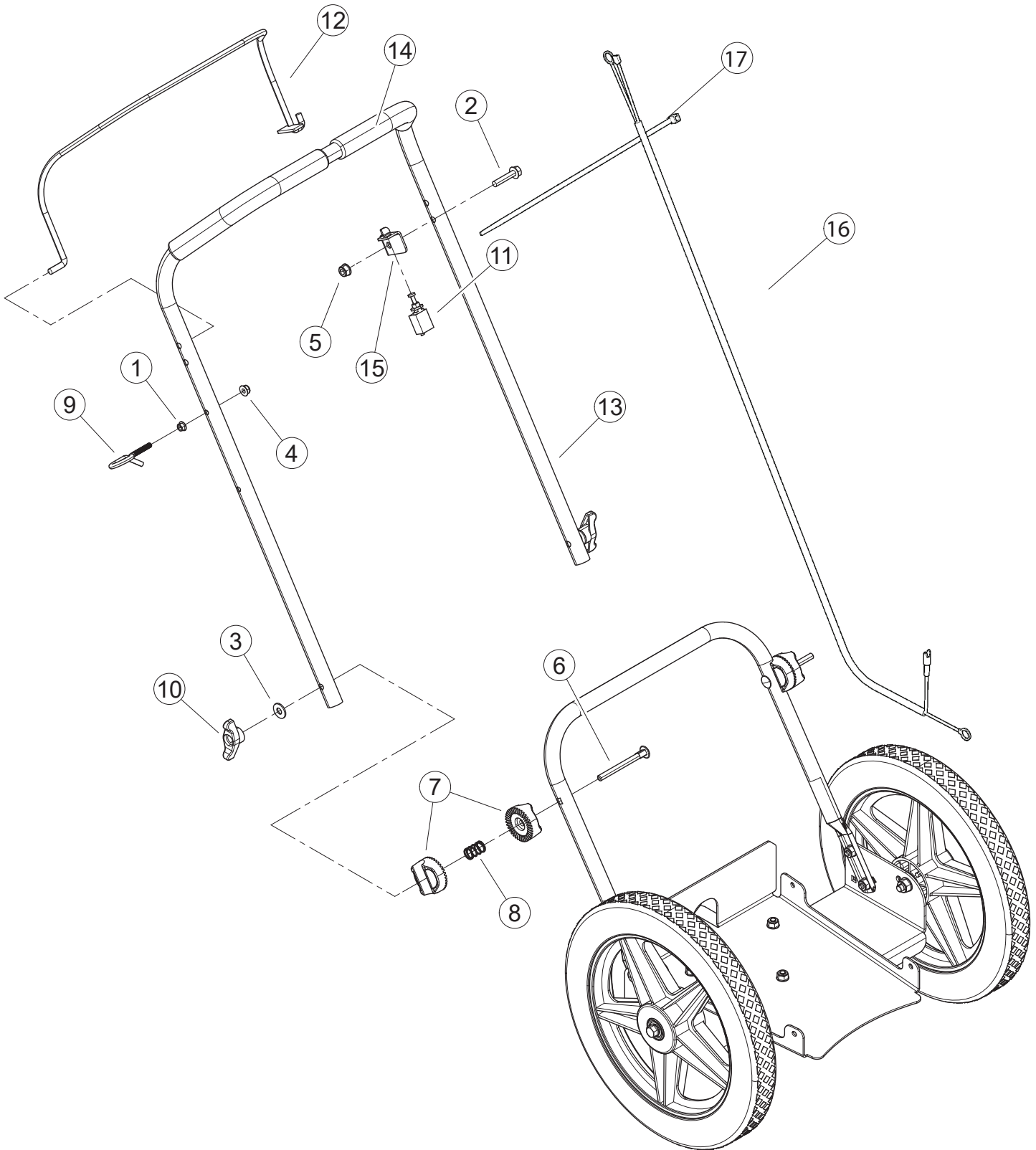
©2022 ECHO Incorporated. All Rights Reserved

P/N 99922205555
REVISED 07/15/22

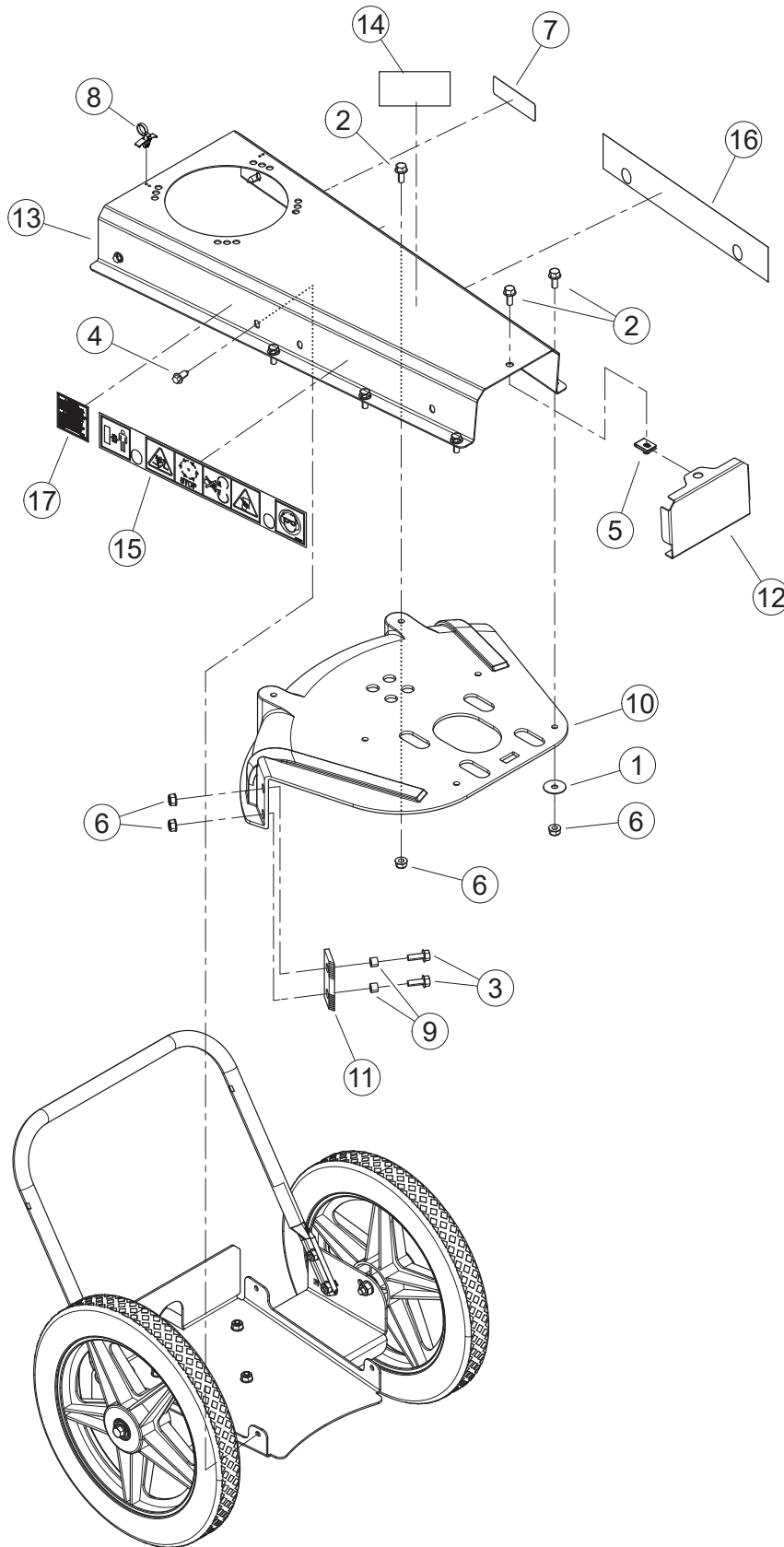
AXLE	3
HANDLE BAR	4
HANDLE BAR	5
BODY	6
BODY	7
DRIVE	8
DRIVE	9
Optional Accessories and Attachments	10



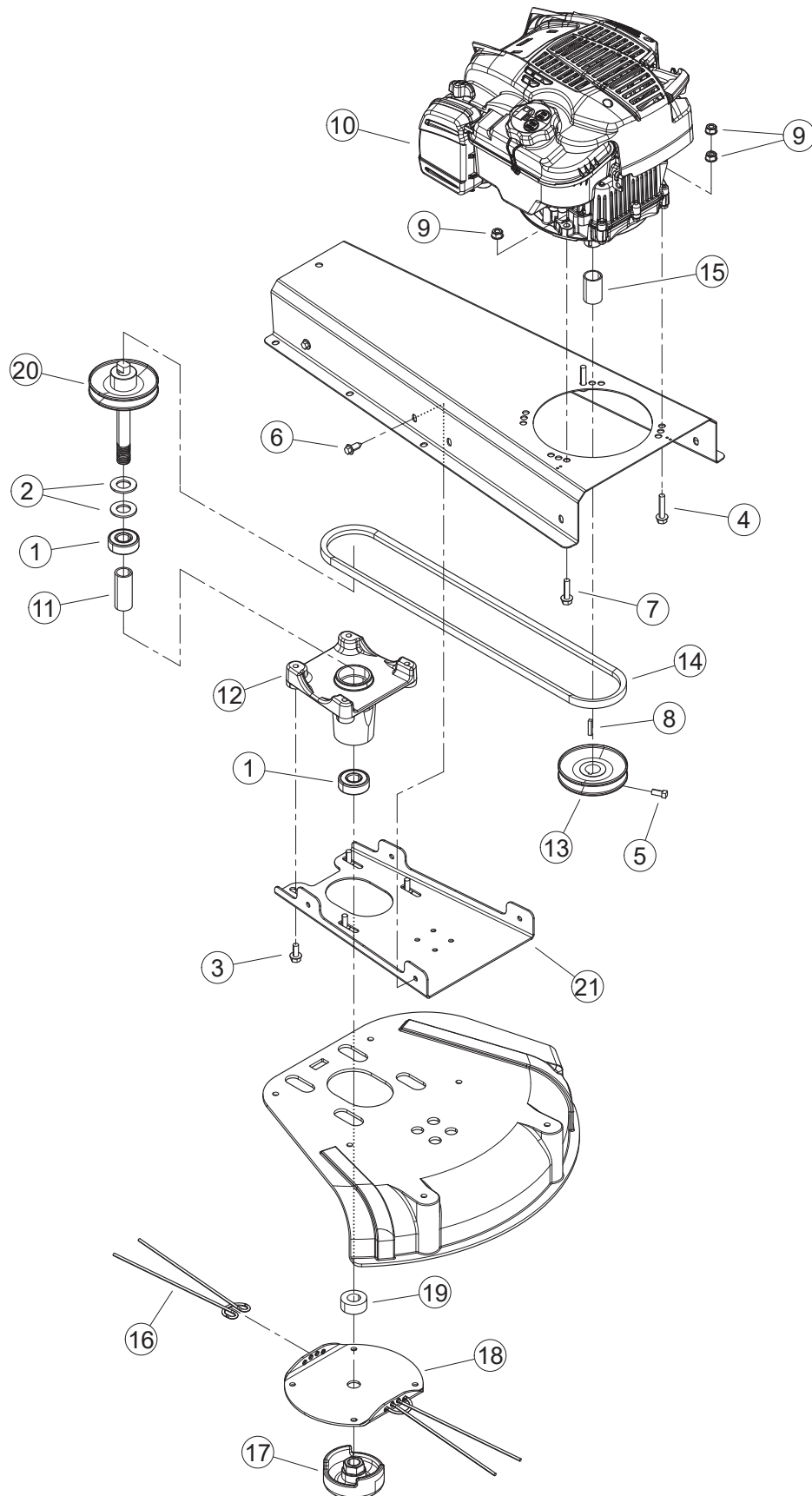
ITEM	PART NUMBER	QTY	DESCRIPTION
1	YH434000110	5	BOLT, 5/16-18 × 3/4 SN GR5 CRG
2	YH451000440	1	WASHER, 5/16 FLAT
3	YH451000490	4	WASHER, NYLON .390 ID × .750 OD
4	YH434000140	2	BOLT, 3/8-16 × 3-1/4 FLANGED SHOULDER
5	YH449000040	7	NUT, 5/16-18 NYLOCK FLANGE
6	YH449000050	2	NUT, 3/8-16 NYLOCK FLANGE
7	YH434000150	3	BOLT, 5/16-18 × 3/4 ZP FLANGE SHOULDER
8	YH452000690	1	KNOB, 5/16-18 FEEM TEE
9	YH478000070	2	WHEEL, TRIMMER 15 × 1.75
10	YH479000980	1	PLATE, TRIMMER AXLE
11	YH479000990	1	PLATE, TRIMMER BASE PUSH
12	YH466000160	1	HANDLE BAR, LOWER TRIMMER PAINTED



ITEM	PART NUMBER	QTY	DESCRIPTION
1	YH449000010	1	NUT, 1/4"-20 SERRATED FLANGE NC ZP
2	YH436000060	1	BOLT, 5/16 × 1-1/2 FLANGE NC
3	YH451000440	2	WASHER, 5/16 FLAT
4	YH449000030	1	NUT, 1/4-20 NYLOCK-FLANGE
5	YH449000040	1	NUT, 5/16-18 NYLOCK-FLANGE
6	YH434000160	2	BOLT, 5/16-18 × 3-1/2 LONG NECK GR5 CRG ZP
7	YH452000680	4	RETAINER, HANDLE BAR ADJUSTMENT
8	YH476000180	2	SPRING, RETAINER COMPRESSION
9	YH470000610	1	GUIDE, RECOIL ROPE
10	YH452000690	2	KNOB, 5/16-18 FEEM TEE
11	YH321000190	1	SWITCH, ENGINE KILL
12	YH470000730	1	ASSEMBLY, BAIL HW TRIMMERS
13	YH466000210	1	ASSEMBLY, UPPER HANDLE BAR WITH GRIPS
14	YH466000150	2	+ PAD, FOAM HANDLE BAR
15	YH479001960	1	BRACKET, HW KILL SWITCH
16	YH601000160	1	HARNESS, BRIGGS HW KILL SWITCH
17	-	-	STRAP, 11 IN BLACK TIE



ITEM	PART NUMBER	QTY	DESCRIPTION
1	YH451000070	4	WASHER, 5/16" FENDER ZP
2	YH436000010	7	BOLT, 5/16 × 3/4 FLANGE NC
3	YH436000030	2	BOLT, 5/16 × 7/8 FLANGE NC
4	YH428000000	4	SCREW, 11/32-12 × 7/8 FLANGE T-AB
5	YH449000020	1	NUT 5/16"-18 TINNEMAN U-TYPE
6	YH449000040	8	NUT, 5/16-18 NYLOCK FLANGE
7	-	1	DECAL, SERIAL NUMBER
8	-	1	STRAP, 4.37" ARROW MNT TIE BLACK
9	YH475000210	2	SPACER, PLASTIC TRIMMER SHIELD
10	YH479000870	1	SHIELD, TRIMMER
11	YH457000010	1	KNIFE, RECTANGULAR SHREDDING
12	YH479001920	1	COVER, METAL HW TRIMMERS
13	YH479001930	1	ASSEMBLY, BODY WITH DECALS (includes Items 14-17)
14	YH653000000	1	+DECAL, MODEL ECHO WT-1610
15	YH653000230	1	+DECAL, HW SAFETY INFORMATION
16	YH653000240	1	+DECAL, HW MAINTENANCE INFORMATION
17	YH653000290	1	+DECAL, SPARK ARRESTOR



ITEM	PART NUMBER	QTY	DESCRIPTION
1	YH453000080	2	BEARING, 3/4 BALL
2	YH451000390	2	WASHER, 3/4" SAE FLAT ZP
3	YH436000010	4	BOLT, 5/16 × 3/4 FLANGE NC
4	YH436000060	1	BOLT, 5/16 × 1-1/2 FLANGE NC
5	YH426000000	2	SCREW, 5/16-18 × 5/8 SQ HD SET
6	YH428000000	4	SCREW, 11/32-12 × 7/8 FLANGE T-AB
7	YH436000120	2	BOLT, 5/16 × 1-1/4 FLANGE NC
8	YH469000040	1	KEY, 3/16" × 1.00" LG SQUARE
9	YH449000040	4	NUT, 5/16-18 NYLOCK FLANGE
10	-	1	ENGINE, BRIGGS 163cc VERTICAL
11	YH475000200	1	SPACER, TRIMMER SPINDLE
12	YH479000860	1	CASTING, TRIMMER SPINDLE HUB
13	YH472000090	1	PULLEY, ENGINE 4.0 × .875 B GROOVE
14	YH454000020	1	BELT, AX48
15	YH475000220	1	SPACER, 1-1/16 OD × 14 GA × 1.630
16	-	2	STRING, 20" × .155 DIA. CROSS-FIRE
17	YH457000060	1	MOWBALL, CAST TRIMMER PAINTED
18	YH457000070	1	DISK, TRIMMER HEAD
19	YH475000230	1	SPACER, TRIMMER HEAD
20	YH472000110	1	WELDMENT, SPINDLE HW MODELS
21	YH479001420	1	PLATE, SPINDLE CASTING MOUNT

ITEM	PART NUMBER	QTY	DESCRIPTION
1	102225155	1	155 DIA, CROSS-FIRE® (50 COUNT / 21" STRIPS)
	102225175	1	175 DIA, CROSS-FIRE® (50 COUNT / 21" STRIPS)
2	314155056	1	155 DIA, CROSS-FIRE® (3 LB. SPOOL)
	314175057	1	175 DIA, CROSS-FIRE® (3 LB. SPOOL)
3	311155066	1	155 DIA, CROSS-FIRE® (1 LB. DONUT)
	311175067	1	175 DIA, CROSS-FIRE® (1 LB. DONUT)
4	99944400000	1	KIT, PRO-LINE HEAD
5	99944400001	1	KIT, NO SPARK MOW BALL
6	YH460000220	1	KIT, SPARK ARRESTER BRIGGS



50 Count / 21" Strips

P/N: 102225175 Shown



3 lb. Spool

P/N: 314175057 Shown



1 lb. Donut

P/N: 311175067 Shown



Pro-Line Head Kit

P/N: 99944400000



No Spark Mow Ball Kit

P/N: 99944400001



Spark Arrester Briggs Kit

P/N: YH460000220