

Accessories for ECHO products can be found at:

PARTS CATALOG

www.echo-usa.com/products/catalogs

OPTIONAL ACCESSORIES & ATTACHMENTS:

LEAF TAMPER	99944300009
ALL WEATHER COVER	99944300008
BLOWER, 2-BLADE RADIAL FAN	99944300012
KIT, 3" DEBRIS BAG	99944300011
KIT, TOOL STEEL BLADE	99944300013
KIT, WIDE SHREDDER	99944300014
KIT, TWO WHEEL TOW	99944300010
SCREEN, FINE (3/8" DIA HOLES)	99944300000
SCREEN, MEDIUM (3/4" DIA HOLES)	99944300001
SCREEN, COARSE 1-3/8" DIA SLOTS	99944300002
WIDE BODY KNIVES KIT	99944300014
CHIPPER BLADE KIT	99944300013
SCREEN, WET DEBRIS	99944300003
KIT, SPARK ARRESTER BRIGGS (306/420CC)YH460000210	

SC-3013 Chipper / Shredder



306 cc

SERIAL NUMBER

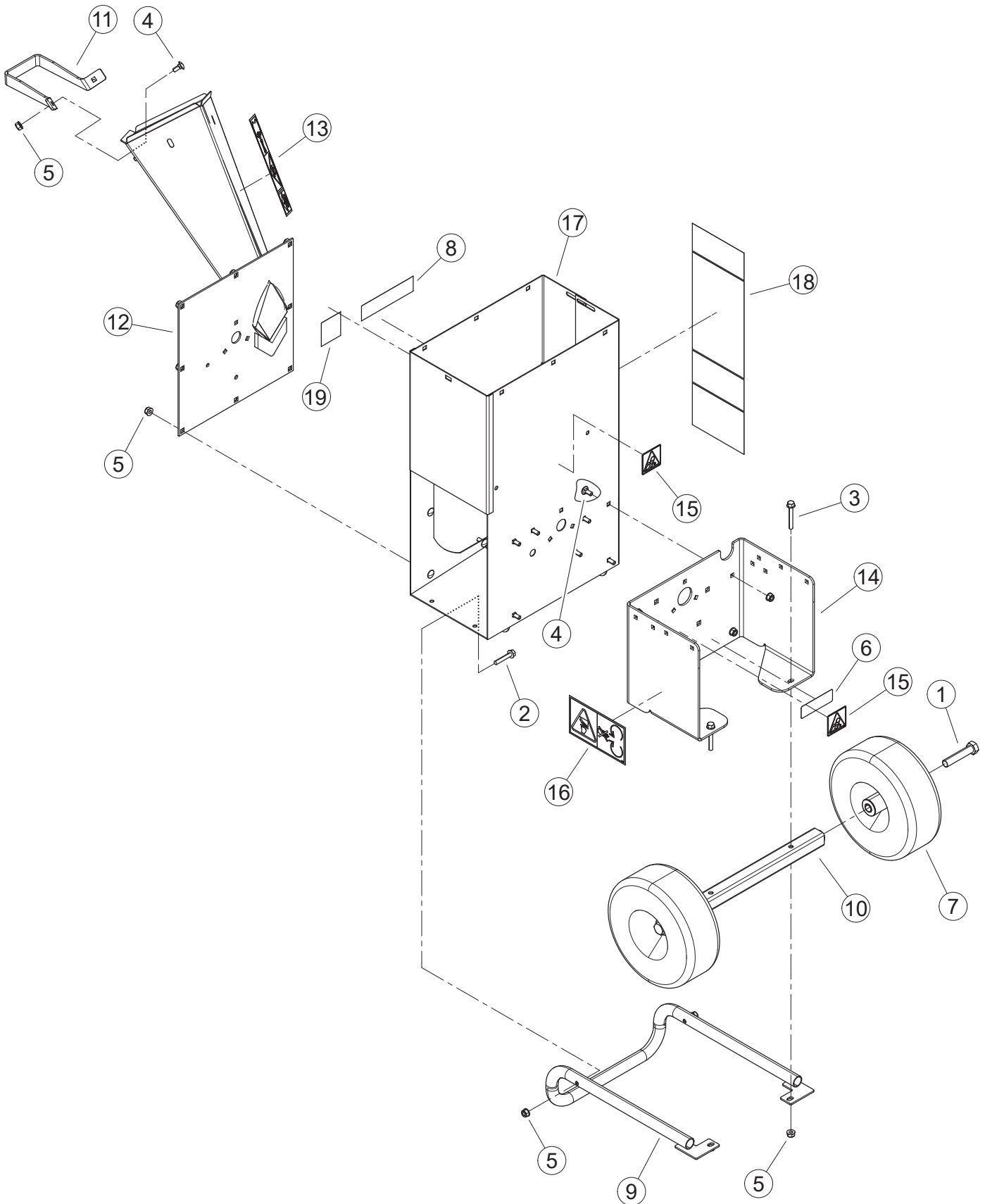
210SCB000001 - 210SCB999999

ECHO Incorporated

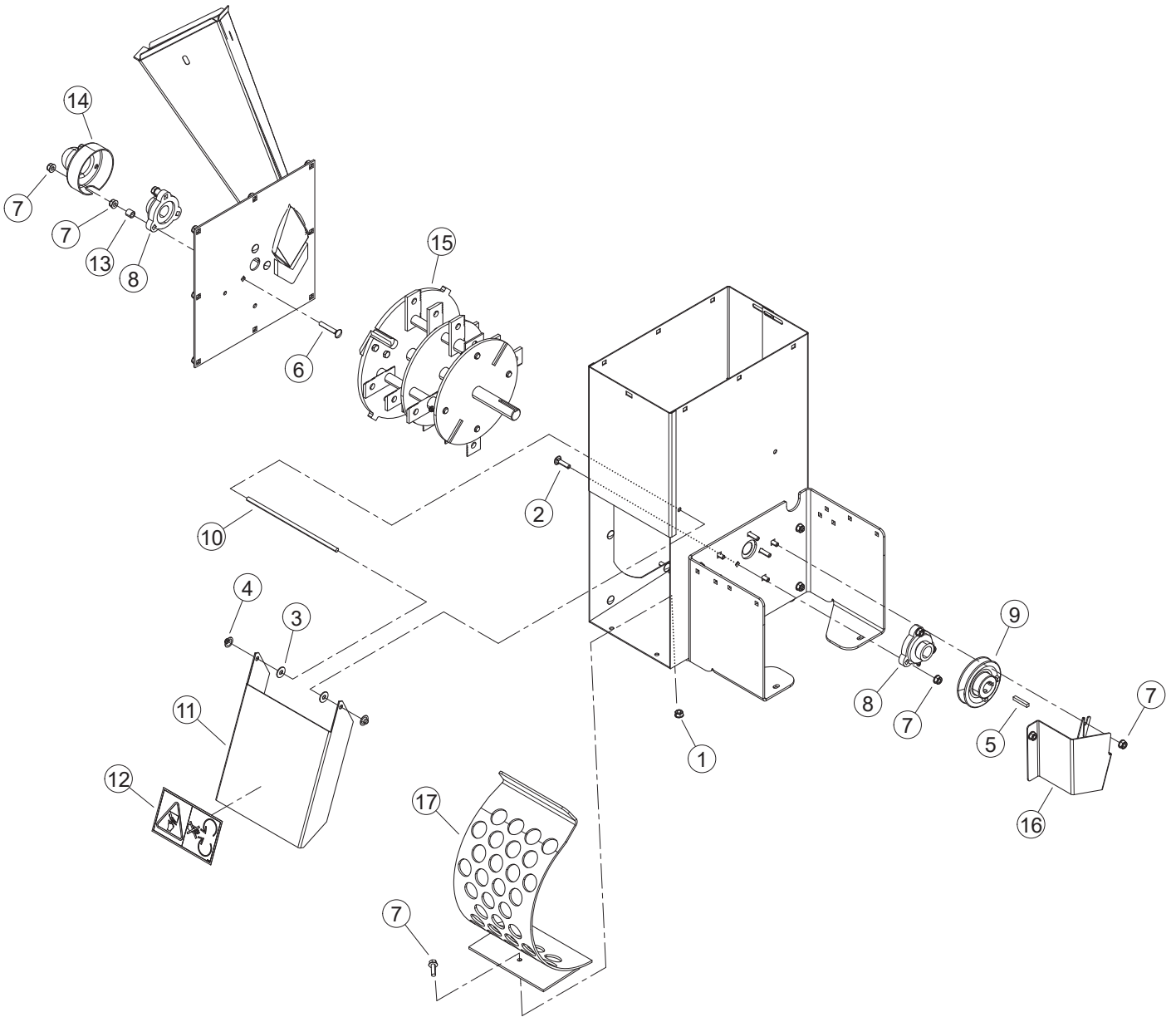
400 Oakwood Road, Lake Zurich, Illinois 60047

WWW.ECHO-USA.COM

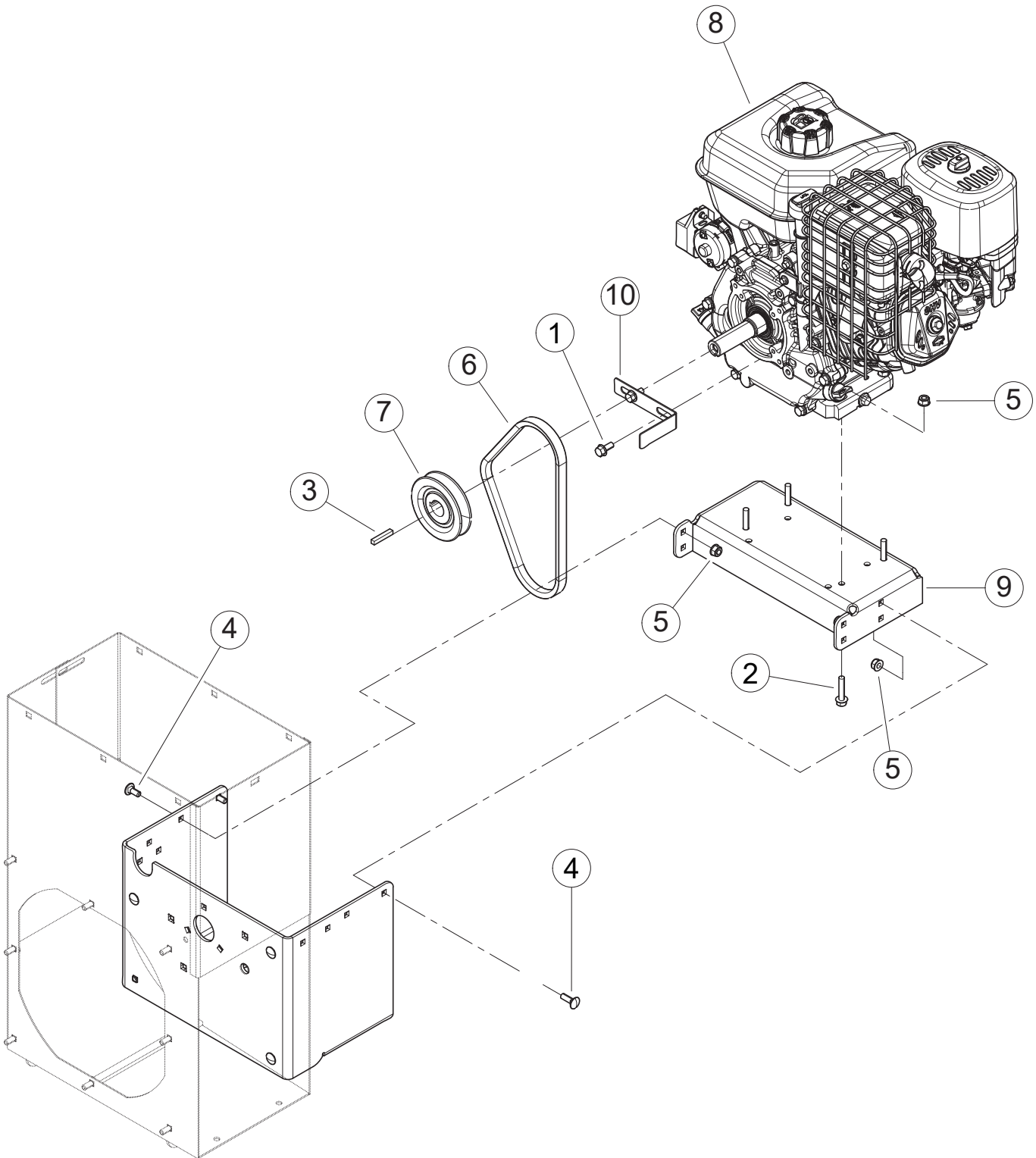
Body	2
Body	3
Rotor & Bearings	4
Rotor & Bearings	5
Engine	6
Engine	7
Idler	8
Idler	9
Hopper	10
Hopper	11



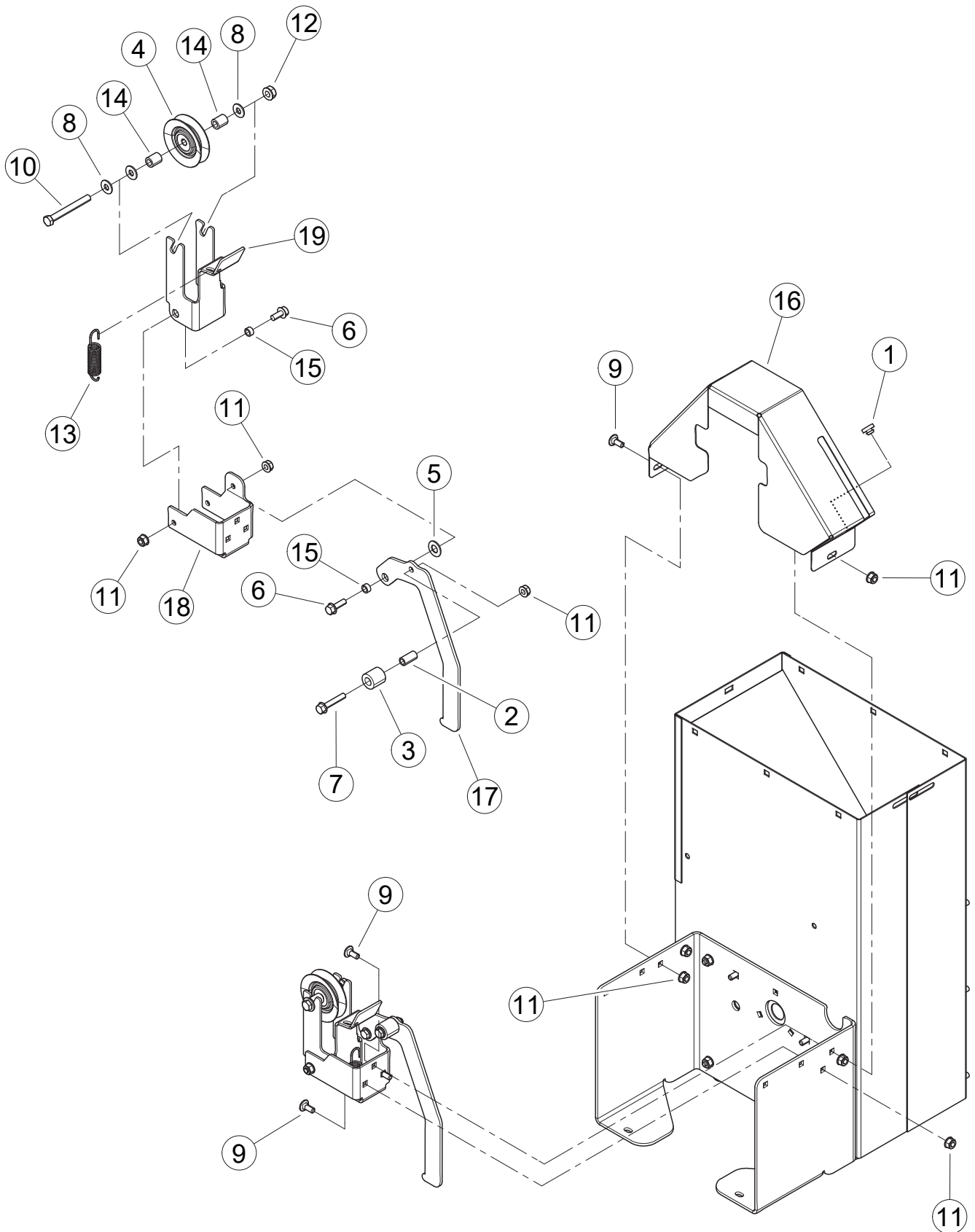
ITEM	PART NUMBER	QTY	DESCRIPTION
1	YH434000010	1	BOLT, 5/8 × 3 HEX HD GR5 ZP
2	YH436000070	1	BOLT, 5/16 × 1-3/4 FLANGE NC
3	YH436000080	1	BOLT, 5/16 × 2-1/4 FLANGE NC
4	YH434000050	2	BOLT, 5/16 × 3/4 GR5 CRG NC ZP
5	YH449000040	4	NUT, 5/16-18 NYLOCK FLANGE
6	-	1	DECAL, SERIAL NUMBER
7	YH478000060	2	ASSEMBLY, 410/350-4 FLAT-FREE WHEEL
8	YH653000450	1	DECAL, MODEL SC-3013
9	YH479001440	1	WELDMENT, SUPPORT LEG LONG
10	YH479001570	1	WELDMENT, AXLE 3 IN CHIPPER
11	YH466000410	1	HANDLE, CHIPPER CHUTE 3 IN
12	YH479001610	1	ASSEMBLY, 3 IN FRONT PLATE COMP (includes Item 13)
13	YH653000210	1	DECAL, 3" CHIPPER CHUTE
14	YH479001630	1	ASSEMBLY, BASE 3 IN CHIPPER SERVICE (includes Items 15 & 16)
15	YH653000170	1	DECAL, SHIELD DANGER ISO
16	YH653000180	1	DECAL, BLADE DANGER ISO
17	YH479001640	1	ASSEMBLY, 3" C/S WIDE BODY SERVICE (INCLUDES ITEMS 8, 15, 18, AND 19)
18	YH653000220	1	DECAL, 3" CHIPPER BODY SIDE
19	YH653000290	1	DECAL, SPARK ARRESTOR



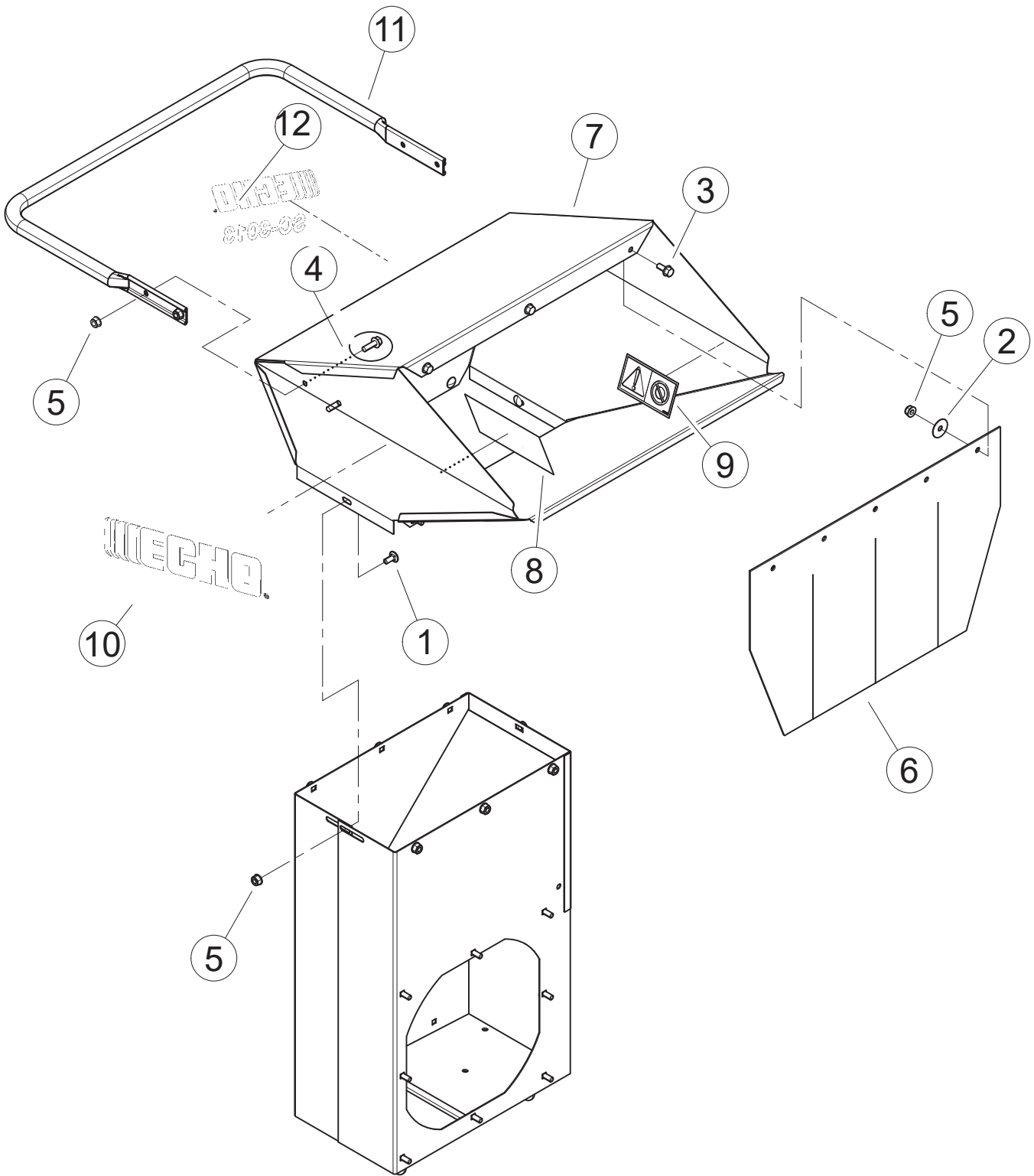
ITEM	PART NUMBER	QTY	DESCRIPTION
1	YH449000040	5	NUT, 5/16-18 NYLOCK FLANGE
2	YH434000060	2	BOLT, 5/16 × 1-1/4 GR5 CRG
3	YH451000470	1	WASHER, 5/16" ID 7/8" OD NYLON FLAT
4	YH452000660	1	PUSHNUT, 5/16" ZP
5	YH469000050	1	KEY, 1/4 SQ × 1-1/2 LG PLAIN
6	YH434000080	1	BOLT, 5/16 × 2" GR5 CRG NC ZP
7	YH436000050	1	BOLT, 5/16 × 1 FLANGE NC
8	YH453000120	2	BEARING, 1" FLUSH MOUNT CAST W/ COLLAR
9	YH472000040	1	PULLEY, CAST 4" OD 1" BORE B GRV
10	YH466000440	1	SHAFT, DOOR PIVOT
11	YH479000810	1	DOOR, DISCHARGE 8 HP W/ DECAL (includes Item 12)
12	YH653000180	1	DECAL, BLADE DANGER ISO
13	YH475000090	1	SPACER, .54 OD × .50" LG
14	YH468000110	1	CAP, ROTOR SHAFT END CAP RENTAL
15	YH457000080	1	ASSEMBLY, WIDE ROTOR W/ RECT KNIVES
16	YH479001030	1	SHIELD, LOWER
17	99944300002	1	WELDMENT, WIDE COARSE TAPERED



ITEM	PART NUMBER	QTY	DESCRIPTION
1	YH436000020	1	BOLT, 5/16 × 3/4 SERRATED FLANGE NF
2	YH436000060	1	BOLT, 5/16 × 1-1/2 FLANGE NC
3	YH469000050	1	KEY, 1/4 SQUARE × 1-1/2 LONG PLAIN
4	YH434000030	2	Bolt, 5/16 x 1 CRG GR5 ZP
5	YH449000040	3	NUT, 5/16-18 NYLOCK-FLANGE
6	YH454000000	1	BELT, 29" C/S
7	YH472000040	1	PULLEY,CAST 4" OD 1" BORE B GRV
8	-	1	ENGINE, 306cc B&S HORIZONTAL
9	YH479001000	1	PLATE, ENGINE MOUNTING
10	YH466000320	1	GUIDE, BELT



ITEM	PART NUMBER	QTY	DESCRIPTION
1	YH468000490	1	BUMPER, RUBBER
2	YH475000190	1	SPACER, 0.5 × 1.00
3	YH453000130	1	ROLLER, 0.5 × 1.00 × 1.00 NYLON
4	YH472000070	1	IDLER, INSIDE
5	YH451000480	1	WASHER, 1/2 INCH NYLON
6	YH436000030	2	BOLT, 5/16 × 7/8 FLANGE NC
7	YH436000070	1	BOLT, 5/16 × 1-3/4 FLANGE NC
8	YH451000440	2	WASHER, 5/16" FLAT ZP
9	YH434000050	3	BOLT, 5/16 × 3/4 GR5 NC ZP CRG
10	YH434000090	1	BOLT, 3/8 × 3-1/4 HEX HD GR5 ZP
11	YH449000040	6	NUT, 5/16-18 NYLOCK-FLANGE
12	YH449000050	1	NUT, 3/8-16 NYLOCK FLANGE
13	YH476000170	1	SPRING, 3/4" OD EXTENSION
14	YH475000070	2	SPACER, 3/4" LONG IDLER TUBE
15	YH475000180	2	SPACER, .50 × .25
16	YH479001020	1	SHIELD, UPPER
17	YH470000860	1	HANDLE, ENGAGEMENT
18	YH479001600	1	MOUNT, IDLER BRACKET
19	YH466000400	1	BRACKET, IDLER 3 IN CHIPPER



ITEM	PART NUMBER	QTY	DESCRIPTION
1	YH434000110	1	BOLT, 5/16-18 × 3/4 SN GR5 CRG
2	YH451000070	1	WASHER, 5/16" FENDER ZP
3	YH436000010	1	BOLT, 5/16 × 3/4 FLANGE NC
4	YH436000050	1	BOLT, 5/16 × 1 FLANGE NC
5	YH449000040	3	NUT, 5/16-18 NYLOCK FLANGE
6	YH479000840	1	BELTING, RENTAL HOPPER
7	YH479000960	1	ASSEMBLY, WIDE BODY RENTAL HOPPER W/ DECALS (includes Items 8,9,10 & 12).
8	YH653000180	1	DECAL, BLADE DANGER ISO
9	YH653000190	1	DECAL, SHREDDER SIZE ISO
10	YH653000520	1	DECAL, ECHO LARGE
11	YH479000970	1	HANDLE, RENTAL HOPPER
12	YH653000450	1	DECAL, MODEL ECHO SC-3013