



PARTS CATALOG
LISTA DE PIEZAS

CS-420ES
Chain Saw
CS-420ES MOTOSIERRA



40.2 cc

SERIAL NUMBER
NÚMERO DE SERIE

20001001-20999999

ECHO, INCORPORATED

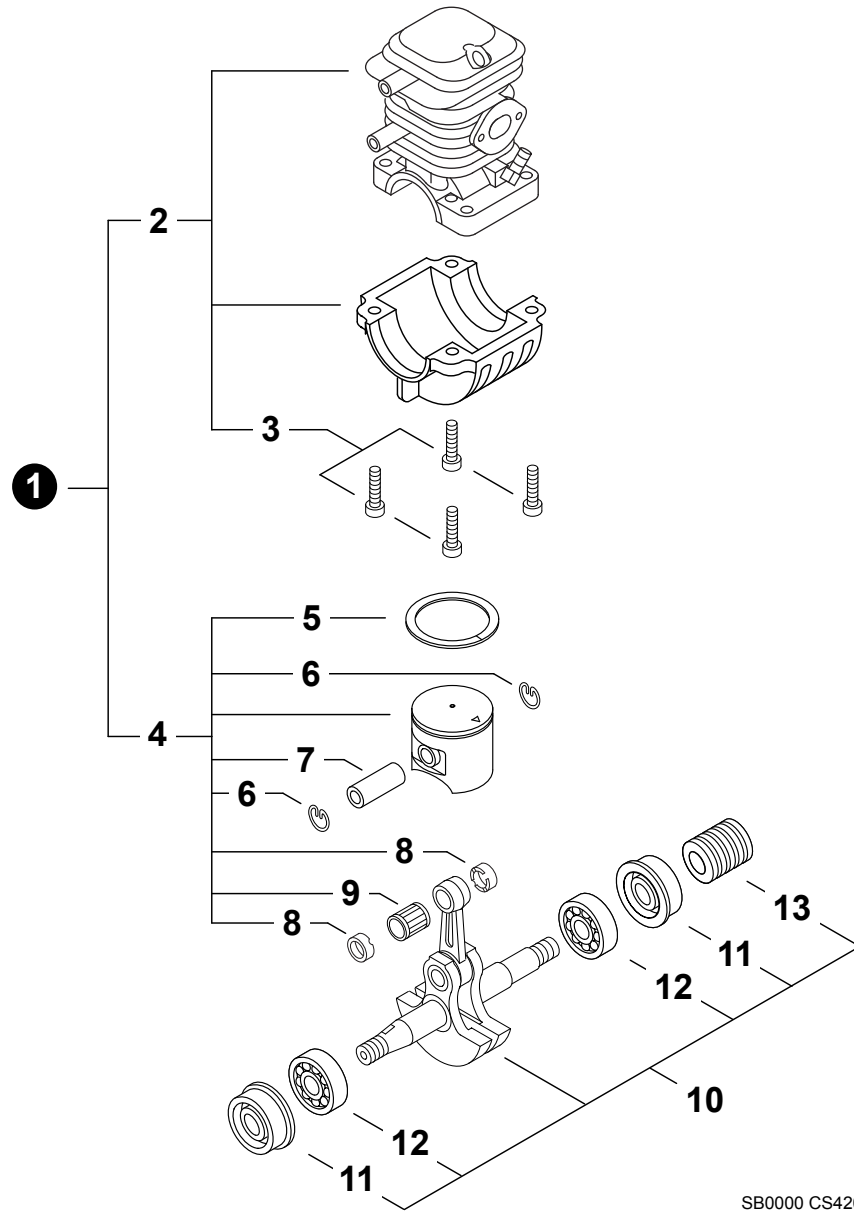
400 Oakwood Road Lake Zurich, Illinois 60047

WWW.ECHO-USA.COM

©2013 ECHO, Incorporated. All Rights Reserved

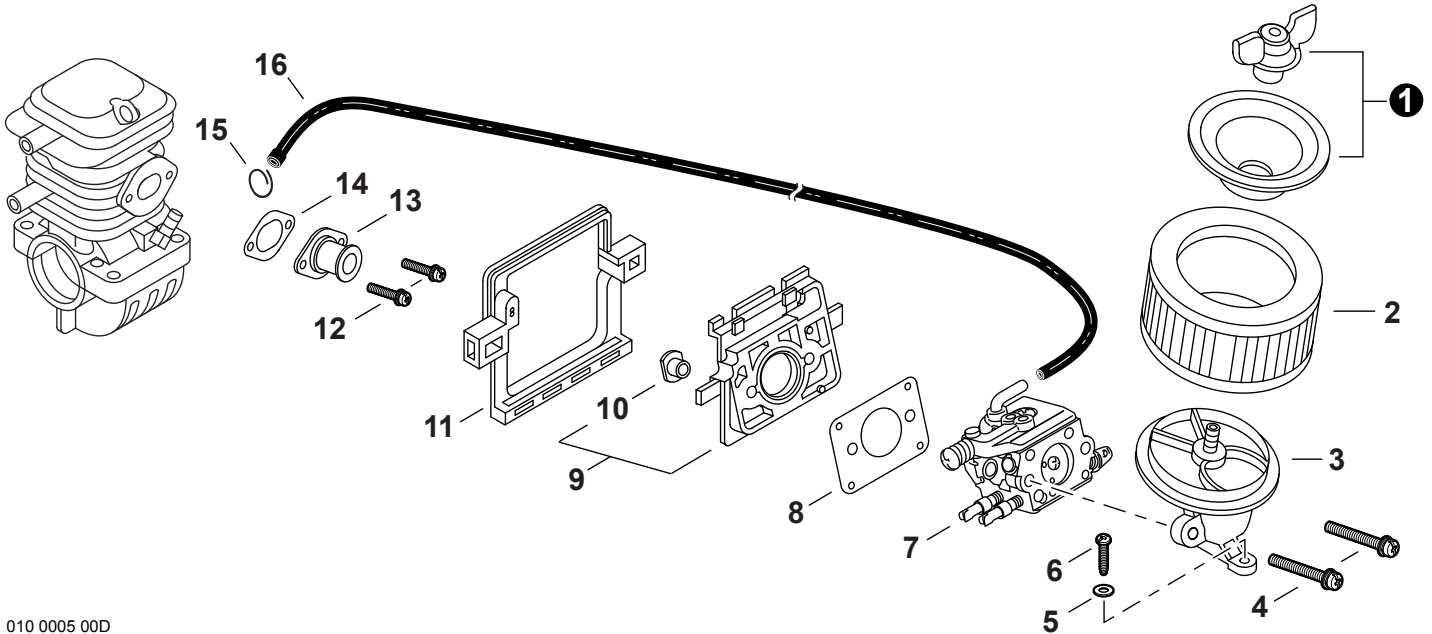
P/N 99922201447
REVISED 9/20/13

| | |
|--|-----------|
| Engine | 3 |
| Motor | |
| Intake, Air Filter | 4 |
| Admisión, Filtro de Aire | |
| Exhaust | 5 |
| Escape | |
| On-Off Switch | 5 |
| Interruptor de Encendido | |
| Engine Cover | 6 |
| Tapa del Motor | |
| Flywheel, Ignition Coil | 7 |
| Volante, Bobina de Encendido | |
| Recoil Starter 20001001-20013991 | 8 |
| Arrancador Autorretráctil 20001001-20013991 | |
| Recoil Starter 20013992-20999999 | 9 |
| Arrancador Autorretráctil 20013992-20999999 | |
| Fuel System, Handles, Throttle Control | 10 |
| Sistema de Combustible, Mangos, Control del Acelerador | |
| Guide Plate, Chain Tensioner | 11 |
| Placa Guía, Tensor de la Cadena | |
| Guide Bar, Saw Chain, Scabbard | 11 |
| Barra guía, Cadena, Funda | |
| Chain Brake | 12 |
| Freno de Cadena | |
| Clutch, Auto Oiler | 13 |
| Embrague, Engrasador de Aceite | |
| Carburetor | 14 |
| Carburador | |
| Carburetor | 15 |
| Carburador | |
| Labels | 16 |
| Etiquetas | |
| Tools | 16 |
| Herramientas | |



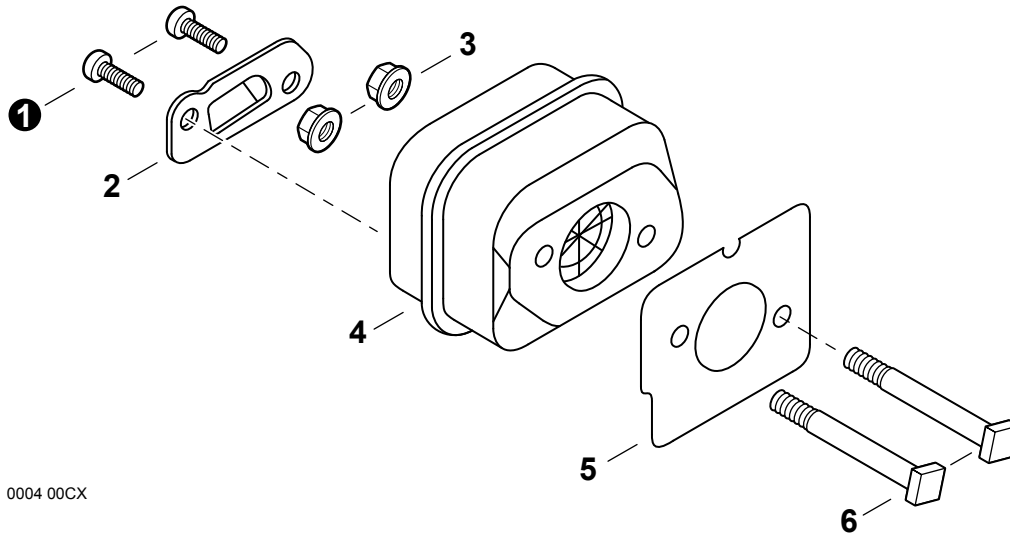
SB0000 CS420ES X

| NO. | PART NUMBER | QTY. | DESCRIPCIÓN | DESCRIPTION |
|-----|-------------|------|--------------------------------|----------------------------|
| 1 | P021038981 | 1 | JUEGO DE REPARACIÓN DE MOTORES | REPAIR KIT, ENGINE |
| 2 | P021017360 | 1 | +JUEGO DE CÁRTER | +CRANKCASE KIT |
| 3 | 90016205022 | 4 | ++PERNO 5×22 | ++BOLT 5×22 |
| 4 | P021036520 | 1 | +JUEGO DE PISTÓN | +PISTON KIT |
| 5 | A101000160 | 1 | ++ANILLO DEL PISTÓN | ++RING, PISTON |
| 6 | 10001503931 | 2 | ++ANILLO RETENEDOR | ++RING, SNAP |
| 7 | V607000000 | 1 | ++PASADOR DEL PISTÓN 9×6×33.8 | ++PIN, PISTON 9×6×33.8 |
| 8 | 10001453630 | 2 | ++ARANDELA DE EMPUJE 9×12×15×3 | ++WASHER, THRUST 9×12×15×3 |
| 9 | 10001216131 | 1 | ++COJINETE DE AGUJAS 9 | ++BEARING, NEEDLE 9 |
| 10 | P021013621 | 1 | MONTAJE DE CIGÜEÑAL | CRANKSHAFT ASSY |
| 11 | V505000011 | 2 | +SELLO DE ACEITE 12 | +SEAL, OIL 12 |
| 12 | 9403536201 | 2 | +COJINETE DE BALINES 6201 | +BEARING, BALL 6201 |
| 13 | V652000030 | 1 | +ENGRANAJE DE TORNILLO SIN FIN | +GEAR, WORM |



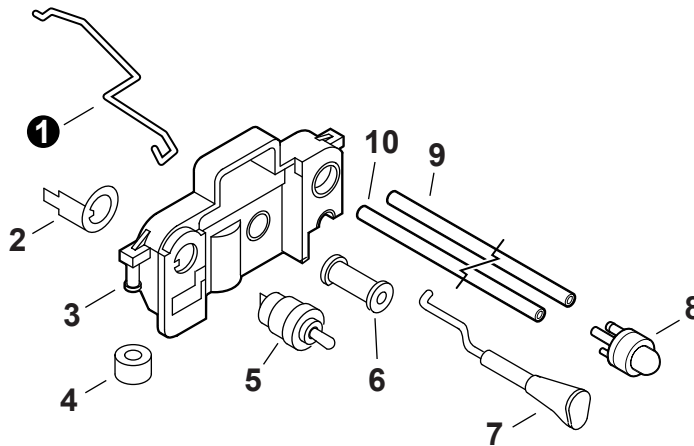
010 0005 00D

| NO. | PART NUMBER | QTY. | DESCRIPCIÓN | DESCRIPTION |
|-----|--------------------|------|--------------------------------------|------------------------------|
| 1 | P021041330 | 1 | MONTAJE DE TAPA DE FILTRO DE AIRE | CAP ASSY, AIR FILTER |
| 2 | 13030039730 | 1 | FILTRO DE AIRE - SERVICIO PESADO | FILTER, HEAVY DUTY AIR |
| 3 | 13030139935 | 1 | ADAPTADOR DE ADMISIÓN | ADAPTOR, INTAKE |
| 4 | 90023805050 | 2 | TORNILLO 5×50 | SCREW 5×50 |
| 5 | 90060000005 | 1 | ARANDELA 5.5×10×0.8 | WASHER, FLAT 5.5×10×0.8 |
| 6 | 90025305020 | 1 | TORNILLO 5×20 | SCREW 5×20 |
| 7 | A021001580 | 1 | CARBURADOR - WT-906A | CARBURETOR - WT-906A |
| 8 | V103000280 | 1 | EMPAQUETADURA DE ADMISIÓN | GASKET, INTAKE |
| 9 | 13000739932 | 1 | JUEGO DE AISLADOR DE ADMISIÓN | INSULATOR SET, INTAKE |
| 10 | 13002033330 | 2 | +TUERCA 5 | +NUT 5 |
| 11 | V420001420 | 1 | AMORTIGUADOR | CUSHION |
| 12 | 90023805014 | 2 | TORNILLOS 5×14 | SCREW 5×14 |
| 13 | A202000060 | 1 | FUELLE DE ADMISIÓN | BELLOWS, INTAKE |
| 14 | V103000290 | 1 | EMPAQUETADURA DE ADMISIÓN | GASKET, INTAKE |
| 15 | V490001240 | 1 | SUJETADOR Ø6 | CLIP Ø6 |
| 16 | V471001600 | 1 | TUBO DE PULSO 2.4×6×105 | PIPE, PULSE 2.4×6×105 |



011 0004 00CX

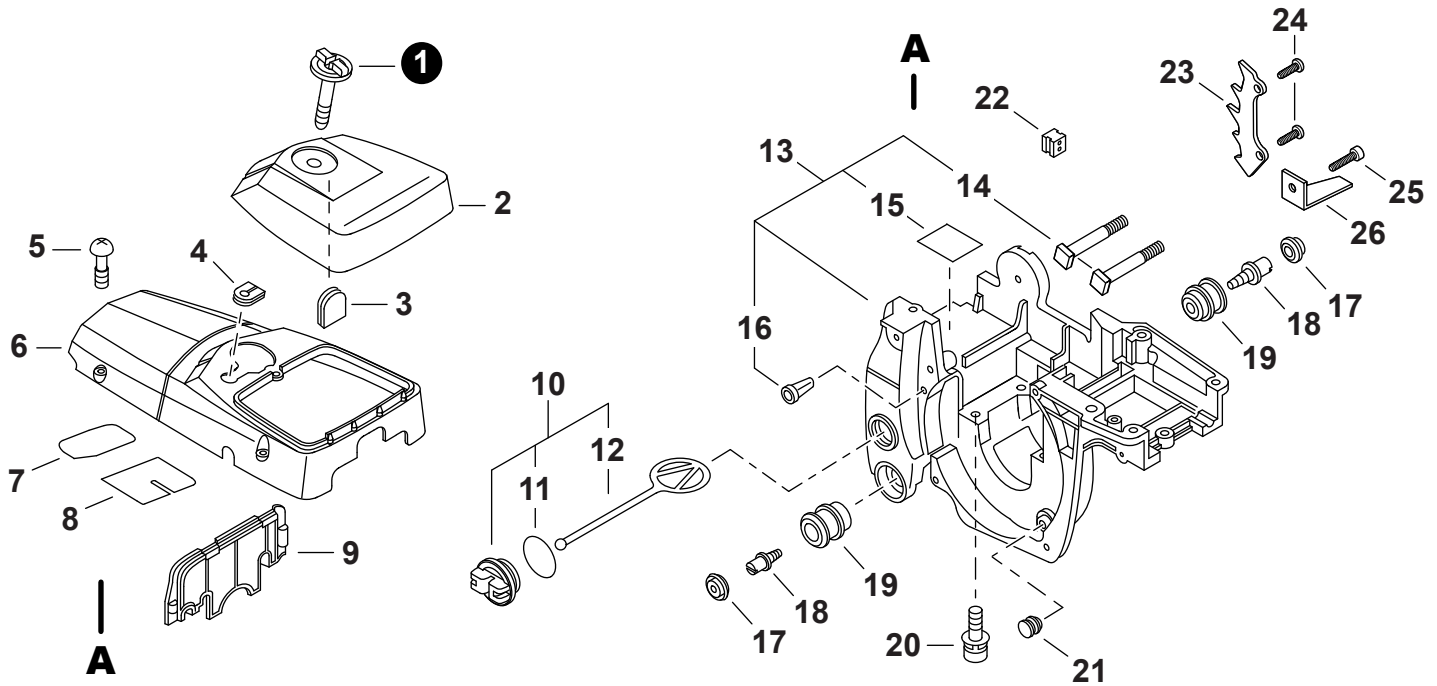
| NO. | PART NUMBER | QTY. | DESCRIPCIÓN | DESCRIPTION |
|-----|-------------|------|-------------------------|-----------------|
| 1 | 90022004008 | 2 | TORNILLO 4x8 | SCREW 4x8 |
| 2 | A313001001 | 1 | SALIDA DE ESCAPE | OUTLET, EXHAUST |
| 3 | 90051600005 | 2 | TUERCA-BRIDA M5 | NUT, FLANGE M5 |
| 4 | A300000801 | 1 | SILENCIADOR | MUFFLER |
| 5 | V104000732 | 1 | EMPAQUETADURA DE ESCAPE | GASKET, EXHAUST |
| 6 | V203000120 | 2 | PERNO 5x60 | BOLT 5x60 |



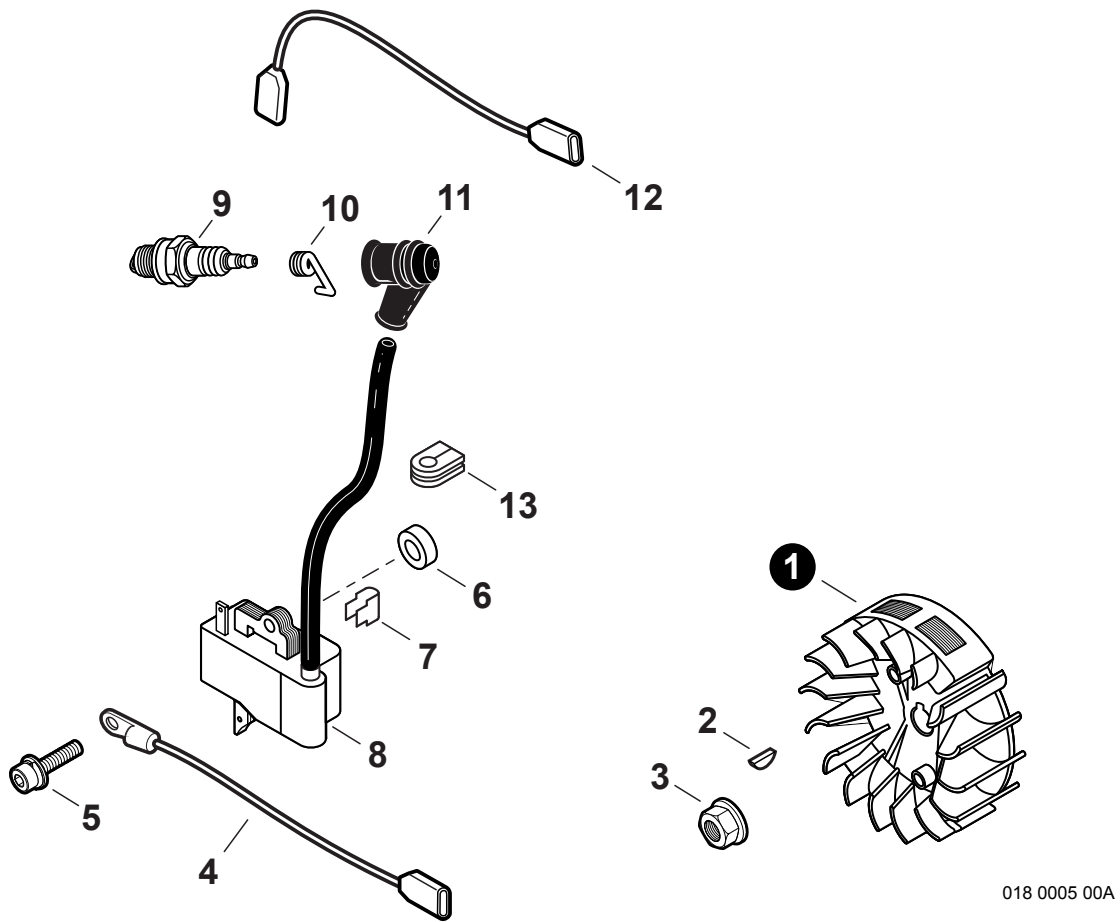
On-Off Switch
Interruptor de Encendido

010 0032 000X

| NO. | PART NUMBER | QTY. | DESCRIPCIÓN | DESCRIPTION |
|-----|-------------|------|----------------------------------|-----------------------------|
| 1 | C454000100 | 1 | VARILLA ACELERADOR | ROD, THROTTLE |
| 2 | V486000021 | 1 | TERMINAL DE CABLE | TERMINAL, LEAD |
| 3 | A439000145 | 1 | SOPORTE DE INTERRUPTOR | BRACKET, SWITCH |
| 4 | 35113439930 | 2 | AMORTIGUADOR | CUSHION |
| 5 | 16340038330 | 1 | INTERRUPTOR DE ENCENDIDO-APAGADO | SWITCH, ON-OFF |
| 6 | 17881014534 | 1 | OJAL ESTRANGULADOR | GROMMET, CHOKE |
| 7 | A241000140 | 1 | VARILLA ESTRANGULADOR | ROD, CHOKE |
| 8 | 12318139130 | 1 | BULBO DE PURGA | BULB, PURGE |
| 9 | V471001470 | 1 | TUBO DE RETORNO 2.4x5x200 | PIPE, FUEL RETURN 2.4x5x200 |
| 10 | V471001280 | 1 | TUBO DE PURGA 2.4x5x150 | PIPE, PURGE 2.4x5x150 |

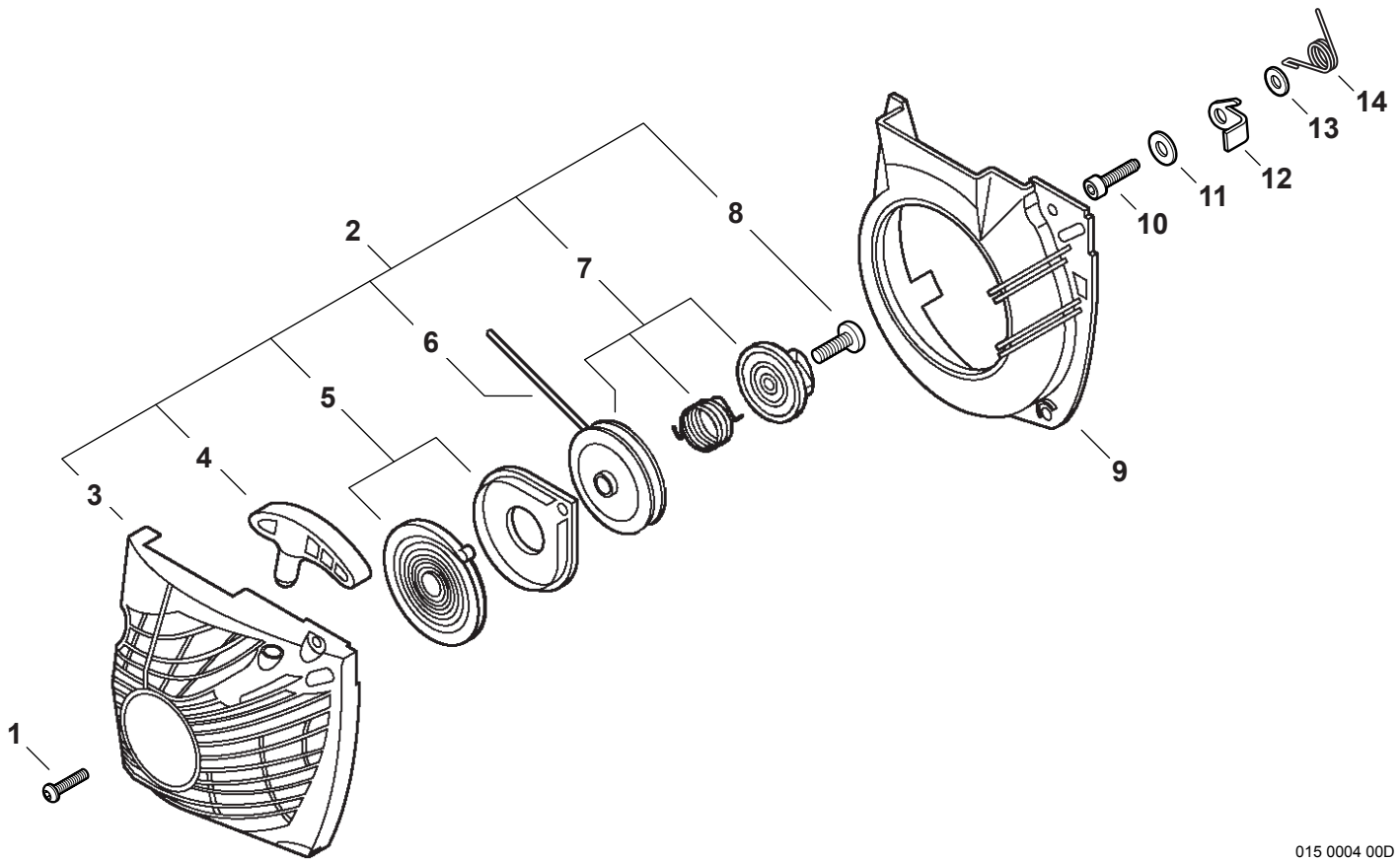


| NO. | PART NUMBER | QTY. | DESCRIPCIÓN | DESCRIPTION |
|-----|-------------------|------|----------------------------------|-----------------------------|
| 1 | A235000020 | 1 | TORNILLO DE OREJETAS | THUMBSCREW |
| 2 | A232000024 | 1 | CUBIERTA DEL FILTRO DE AIRE | COVER, AIR FILTER |
| 3 | 13033832430 | 1 | OJAL | GROMMET |
| 4 | V135000010 | 1 | OJAL | GROMMET, HT |
| 5 | 90023805020 | 3 | TORNILLO 5×20 | SCREW 5×20 |
| 6 | A160000764 | 1 | CUBIERTA DEL MOTOR | COVER, ENGINE |
| 7 | V341000060 | 1 | PROTECTOR TÉRMICO | SHIELD, HEAT |
| 8 | V341000070 | 1 | PROTECTOR TÉRMICO | SHIELD, HEAT |
| 9 | A209000000 | 1 | PLACA AISLANTE | PLATE, INSULATOR |
| 10 | P021007630 | 1 | MONTAJE DE TAPA | CAP ASSY |
| 11 | 90072100025 | 1 | +JUNTA TÓRICA 25 | +O-RING 25 |
| 12 | A3650000050 | 1 | +CONECTOR DE TAPA L=60mm | +CONNECTOR, CAP L=60mm |
| 13 | P021009857 | 1 | MONTAJE DE CAJA DEL MOTOR | HOUSING ASSY, ENGINE |
| 14 | 43301119831 | 2 | +PERNO PRISIONERO 8 | +STUD, GUIDE BAR 8 |
| 15 | V3410000050 | 1 | +PROTECTOR TÉRMICO | +SHIELD, HEAT |
| 16 | 43611413930 | 1 | +VÁLVULA DE RESPIRADERO | +VENT ASSY |
| 17 | 10091815130 | 2 | TAPA DE AMORTIGUADOR | CAP, CUSHION |
| 18 | 10091533930 | 2 | TORNILLO 5 | SCREW 5 |
| 19 | 10091060030 | 2 | AMORTIGUADOR 5 | CUSHION 5 |
| 20 | 90016205030 | 4 | PERNO 5×30 | BOLT 5×30 |
| 21 | V420001250 | 2 | AMORTIGUADOR | CUSHION |
| 22 | 15011404920 | 1 | OJAL DE CABLE CONDUCTOR | GROMMET, LEAD |
| 23 | C304000010 | 1 | PARAGOLPES CON PÚAS | SPIKE, BUMPER |
| 24 | 9114505020 | 2 | PERNO ROSCADOR 5×20 | BOLT, TAPPING 5×20 |
| 25 | 9114505016 | 1 | PERNO ROSCADOR 5×16 | BOLT, TAPPING 5×16 |
| 26 | C310000000 | 1 | CAPTURADOR DE CADENA | CATCHER, CHAIN |



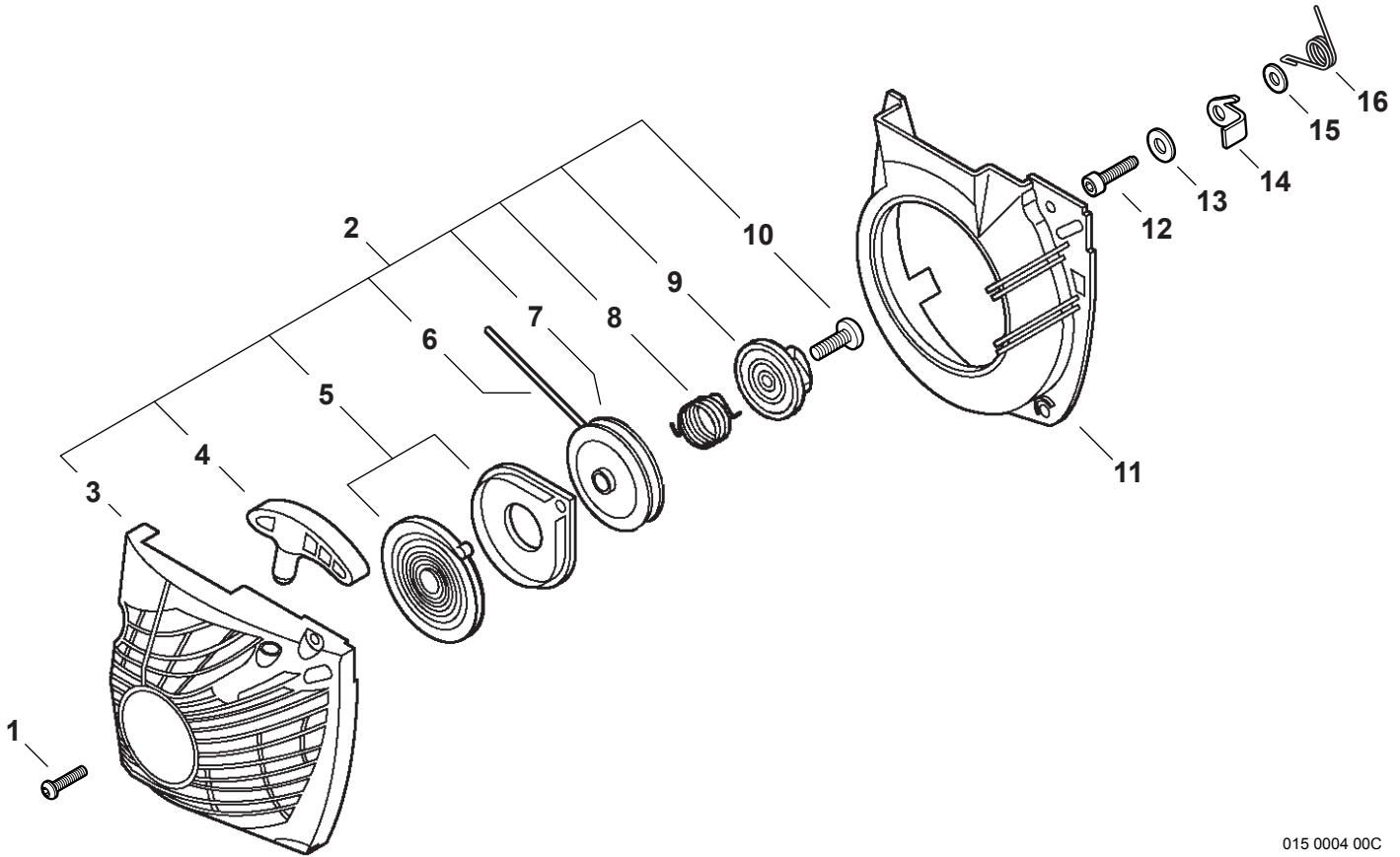
018 0005 00A

| NO. | PART NUMBER | QTY. | DESCRIPCIÓN | DESCRIPTION |
|-----|-------------|------|-----------------------|----------------------|
| 1 | A409000272 | 1 | VOLANTE | FLYWHEEL |
| 2 | 10014212330 | 1 | CHAVETA | KEY, WOODRUFF |
| 3 | 90051500008 | 1 | TUERCA-BRIDA M8 | NUT, FLANGE M8 |
| 4 | V485000620 | 1 | CABLE CONDUCTOR L=140 | LEAD L=140 |
| 5 | 90016205020 | 2 | PERNO 5×20 | BOLT 5×20 |
| 6 | 15011716430 | 2 | ARANDELA 5.2×12×3 | WASHER 5.2×12×3 |
| 7 | V490000310 | 1 | SUJETADOR | CLIP |
| 8 | A411000264 | 1 | BOBINA DE ENCENDIDO | COIL, IGNITION |
| 9 | 15901019830 | 1 | BUJÍA BPM-8Y | PLUG, SPARK BPM-8Y |
| 10 | A426000010 | 1 | TERMINAL DE BUJÍA | TERMINAL, SPARK PLUG |
| 11 | A427000013 | 1 | TAPA DE BUJÍA | CAP, SPARK PLUG |
| 12 | V485000680 | 1 | CABLE CONDUCTOR L=172 | LEAD L=172 |
| 13 | V135000010 | 1 | OJAL | GROMMET, HT |



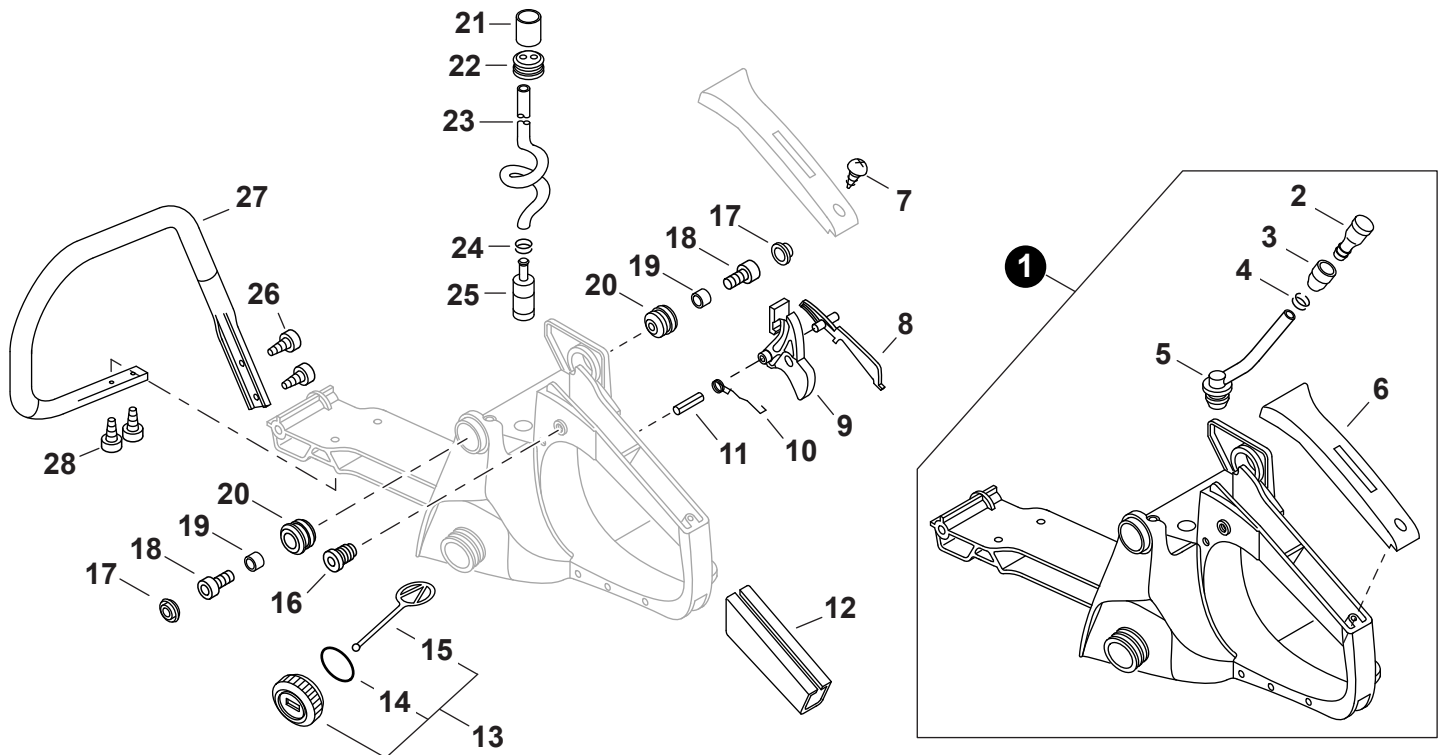
015 0004 00D

| NO. | PART NUMBER | QTY. | DESCRIPCIÓN | DESCRIPTION |
|--------------------------|-------------------|------|--------------------------------------|---------------------------------------|
| 20001001-20013991 | | | | |
| 1 | 9114505020 | 4 | PERNO ROSCADOR 5×20 | BOLT, TAPPING 5×20 |
| 2 | A051000981 | 1 | MONTAJE DE ARRANCADOR I-START | STARTER ASSY, RECOIL - I-START |
| 3 | A500000421 | 1 | +CAJA DEL ARRANCADOR AUTORRETRÁCTIL | +CASE, RECOIL STARTER |
| 4 | P022005891 | 1 | +AGARRE DEL ARRANCADOR | +GRIP, STARTER |
| 5 | P022010440 | 1 | +JUEGO DE RESORTE RECULAR | +SPRING SET, RECOIL |
| 6 | P022008440 | 1 | +CUERDA DEL ARRANCADOR 3.5×900 | +ROPE, STARTER 3.5×900 |
| 7 | P021039550 | 1 | +JUEGO DE CARRETE DE CUERDA | +REEL KIT, ROPE |
| 8 | 17723661830 | 1 | +TORNILLO | +SCREW |
| 9 | A172000573 | 1 | CUBIERTA DEL VENTILADOR | COVER, FAN |
| 10 | V203000090 | 2 | PERNO 5×14 | BOLT 5×14 |
| 11 | 90060300005 | 2 | ARANDELA 5.5×12×0.8 | WASHER 5.5×12×0.8 |
| 12 | A514000050 | 2 | TRINQUETE | PAWL |
| 13 | 17724704630 | 2 | ESPACIADOR 5.2×8×2.1 | SPACER 5.2×8×2.1 |
| 14 | 17723435430 | 2 | RESORTE DE TORSIÓN | SPRING, TORSION |

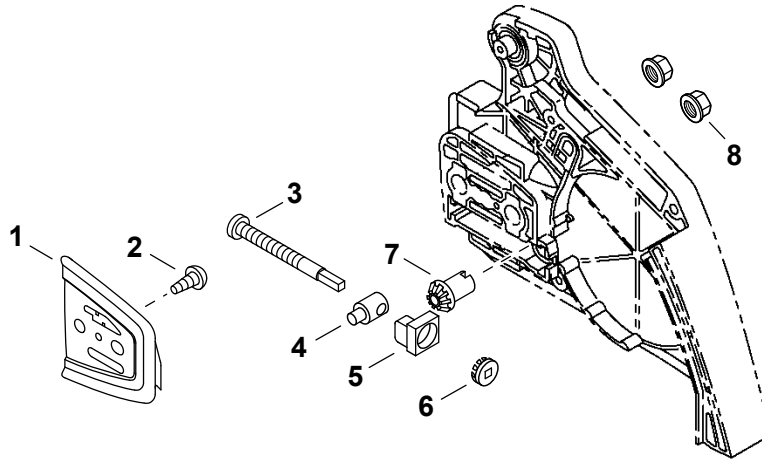


015 0004 00C

| NO. | PART NUMBER | QTY. | DESCRIPCIÓN | DESCRIPTION |
|--------------------------|-------------------|------|--------------------------------------|---------------------------------------|
| 20013992-20999999 | | | | |
| 1 | 9114505020 | 4 | PERNO ROSCADOR 5×20 | BOLT, TAPPING 5×20 |
| 2 | A051000982 | 1 | MONTAJE DE ARRANCADOR I-START | STARTER ASSY, RECOIL - I-START |
| 3 | A500000421 | 1 | +CAJA DEL ARRANCADOR AUTORRETRÁCTIL | +CASE, RECOIL STARTER |
| 4 | P022005891 | 1 | +AGARRE DEL ARRANCADOR | +GRIP, STARTER |
| 5 | P022010440 | 1 | +JUEGO DE RESORTE RECULAR | +SPRING SET, RECOIL |
| 6 | P022008440 | 1 | +CUERDA DEL ARRANCADOR 3.5×900 | +ROPE, STARTER 3.5×900 |
| 7 | A506000460 | 1 | +CARRETE DE CUERDA | +REEL, ROPE |
| 8 | V452001320 | 1 | +RESORTE DE TORSIÓN | +SPRING, TORSION |
| 9 | A507000110 | 1 | +RECEPTOR DE TRINQUETE | +CATCHER, PAWL |
| 10 | 17723661830 | 1 | +TORNILLO | +SCREW |
| 11 | A172000572 | 1 | CUBIERTA DEL VENTILADOR | COVER, FAN |
| 12 | V203000090 | 2 | PERNO 5×14 | BOLT 5×14 |
| 13 | 90060300005 | 2 | ARANDELA 5.5×12×0.8 | WASHER 5.5×12×0.8 |
| 14 | A514000050 | 2 | TRINQUETE | PAWL |
| 15 | 17724704630 | 2 | ESPACIADOR 5.2×8×2.1 | SPACER 5.2×8×2.1 |
| 16 | 17723435430 | 2 | RESORTE DE TORSIÓN | SPRING, TORSION |

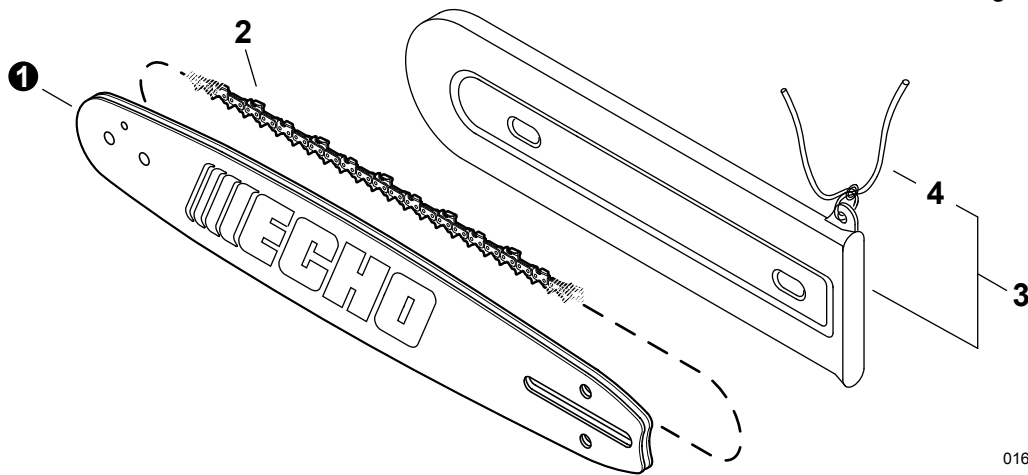


| NO. | PART NUMBER | QTY. | DESCRIPCIÓN | DESCRIPTION |
|-----|-------------|------|--------------------------------|------------------------|
| 1 | P021010596 | 1 | MONTAJE DE MANGO TRASERO | HANDLE ASSY, REAR |
| 2 | 13130056431 | 1 | +VÁLVULA DE RESPIRADERO | +VENT ASSY |
| 3 | 13132840630 | 1 | +SOPORTE DE RESPIRADERO | +HOLDER, VENT |
| 4 | V490001230 | 1 | +SUJETADOR Ø6.5MM | +CLIP Ø6.5MM |
| 5 | 13201239931 | 1 | +TUBO DE VENTILACIÓN 3×6×65 | +PIPE, VENT 3×6×65 |
| 6 | 35115535431 | 1 | +CUBIERTA DE MANGO | +COVER, HANDLE |
| 7 | 90025304014 | 1 | TORNILLO 4×14 | SCREW 4×14 |
| 8 | C460000072 | 1 | SEGURO DEL ACELERADOR | LOCKOUT, THROTTLE |
| 9 | C450000212 | 1 | GATILLO DEL ACELERADOR | TRIGGER, THROTTLE |
| 10 | V452000260 | 1 | RESORTE DE TORSIÓN | SPRING, TORSION |
| 11 | 90034540030 | 1 | PASADOR ELÁSTICO 4×30 | PIN, SPRING 4×30 |
| 12 | 35111119830 | 1 | AGARRE | GRIP, HANDLE |
| 13 | P021010601 | 1 | MONTAJE DE TAPA DE COMBUSTIBLE | CAP ASSY, FUEL |
| 14 | V581000610 | 1 | +JUNTA TÓRICA 22 | +O-RING 22 |
| 15 | A365000050 | 1 | +CONECTOR DE TAPA L=60mm | +CONNECTOR, CAP L=60mm |
| 16 | V162000040 | 1 | TAPÓN | PLUG |
| 17 | 10091815130 | 2 | TAPA DE AMORTIGUADOR | CAP, CUSHION |
| 18 | 90010504020 | 2 | PERNO, HEX 4×20 | BOLT, HEX 4×20 |
| 19 | 10091515131 | 2 | COLLAR 4.2×7×9.5 | COLLAR 4.2×7×9.5 |
| 20 | V400000051 | 2 | AMORTIGUADOR 4 | CUSHION 4 |
| 21 | V475003970 | 1 | TUBO 8×9×16 | PIPE 8×9×16 |
| 22 | 13211544330 | 1 | OJAL DE COMBUSTIBLE | GROMMET, FUEL |
| 23 | 13201000760 | 1 | TUBO COMBUSTIBLE 3×5×250 | PIPE, FUEL 3×5×250 |
| 24 | V490001240 | 1 | SUJETADOR Ø6 | CLIP Ø6 |
| 25 | 13120519831 | 1 | FILTRO DE COMBUSTIBLE | FILTER, FUEL |
| 26 | 9114505020 | 2 | PERNO ROSCADOR 5×20 | BOLT, TAPPING 5×20 |
| 27 | C400000431 | 1 | MANGO DELANTERO | HANDLE, FRONT |
| 28 | 9114505016 | 2 | PERNO ROSCADOR 5×16 | BOLT, TAPPING 5×16 |



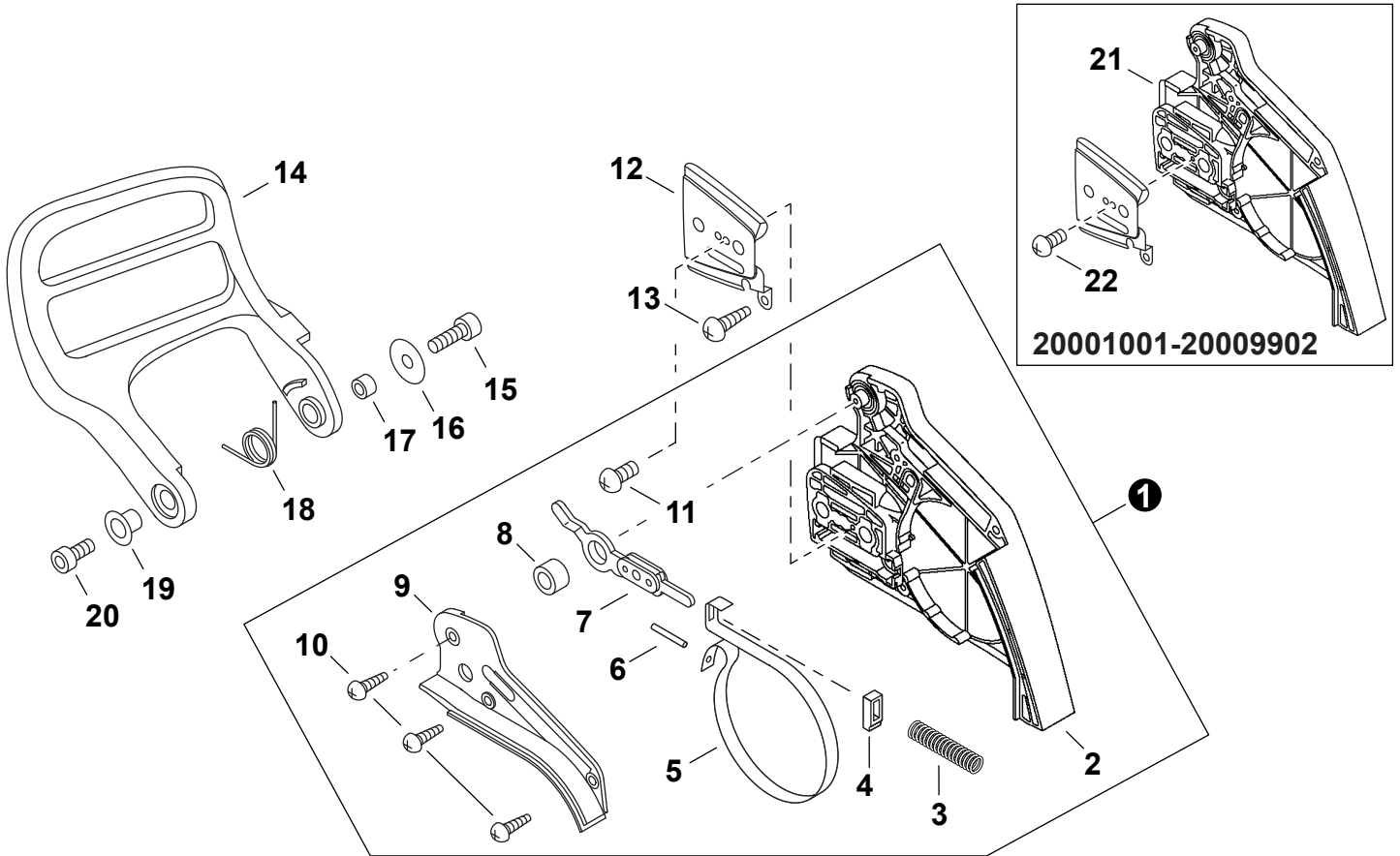
| NO. | PART NUMBER | QTY. | DESCRIPCIÓN | DESCRIPTION |
|-----|-------------|------|-------------------------------|----------------------|
| 1 | 43301239930 | 1 | PLACA GUÍA | PLATE, GUIDE |
| 2 | V202000060 | 1 | PERNO 4×12 | BOLT 4×12 |
| 3 | V203000110 | 1 | TORNILLO DEL TENSOR DE CADENA | SCREW, CHAIN TENSION |
| 4 | C309000030 | 1 | TENSOR DE CADENA | TENSIONER, CHAIN |
| 5 | V355000270 | 1 | COLLAR 8 | COLLAR 8 |
| 6 | V651000011 | 1 | ENGRANAJE CÓNICO | GEAR, BEVEL |
| 7 | V651000001 | 1 | ENGRANAJE CÓNICO | GEAR, BEVEL |
| 8 | V265000200 | 2 | TUERCA 8 | NUT 8 |

Guide Bar, Saw Chain, Scabbard
Barra guía, Cadena, Funda

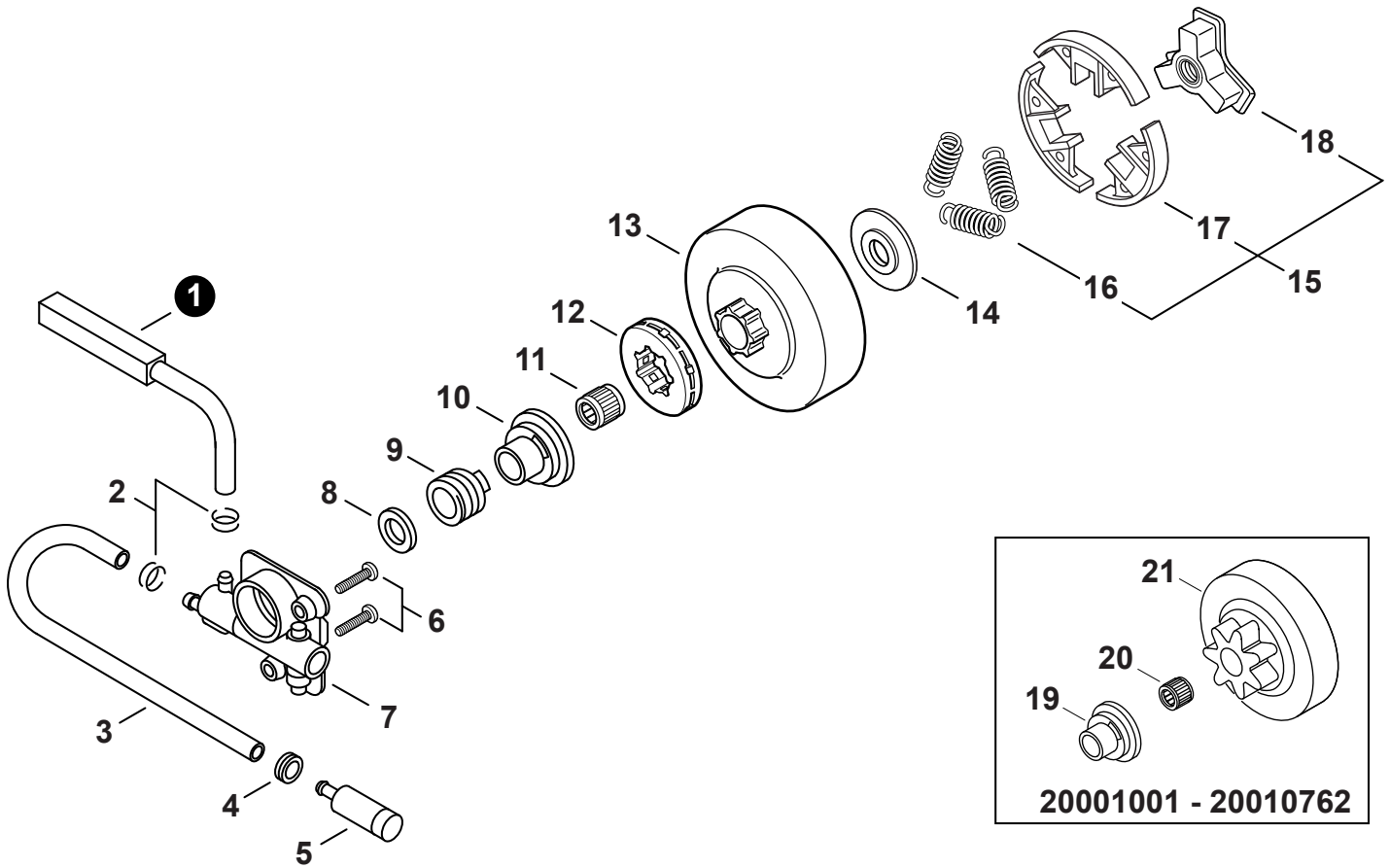


016 0033 000X

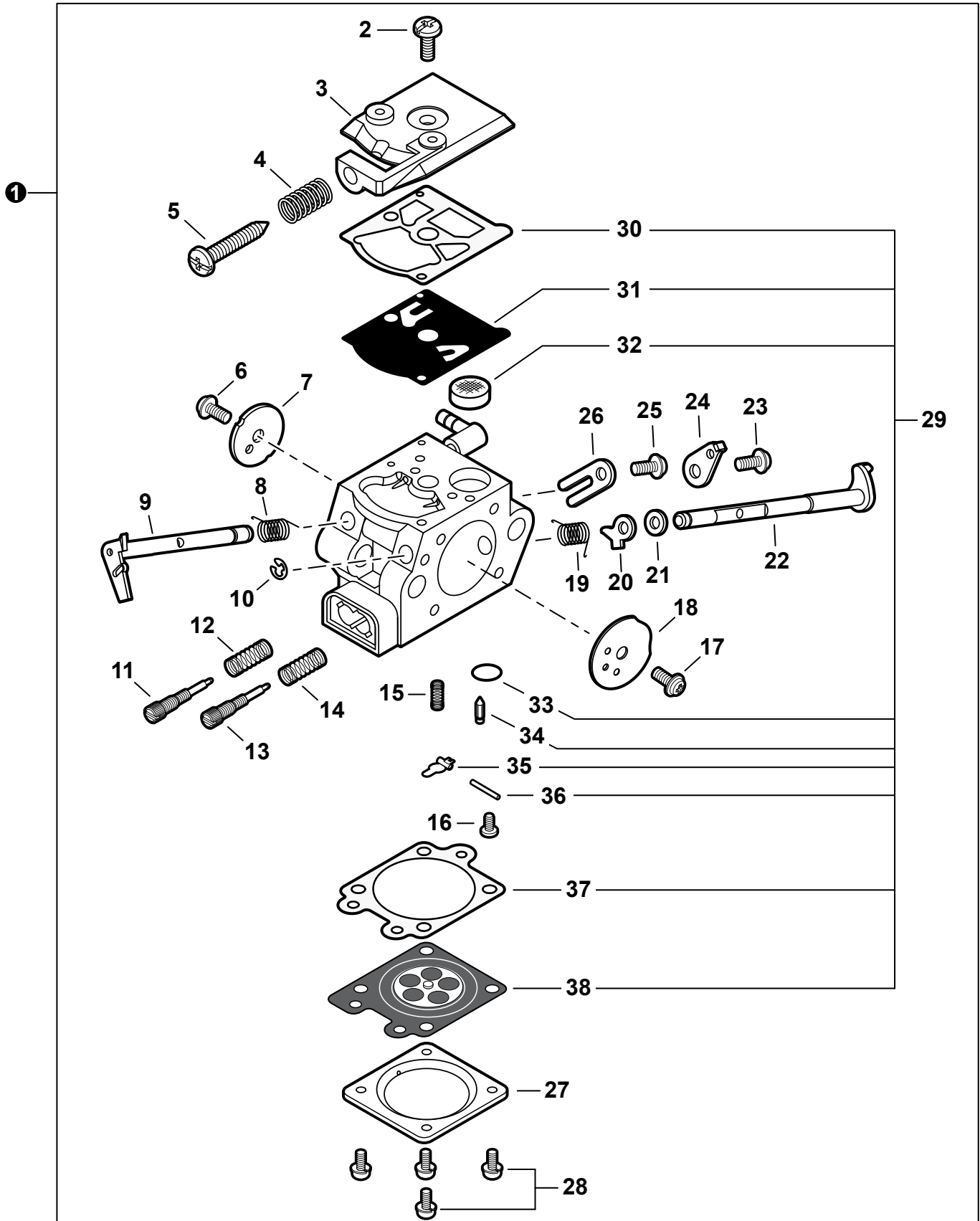
| NO. | PART NUMBER | QTY. | DESCRIPCIÓN | DESCRIPTION |
|-----|-------------|------|-----------------|----------------|
| 1 | 16F8LS3366 | 1 | BARRA GUÍA 40cm | GUIDE BAR, 16" |
| 1 | 18F8LS3372 | 1 | BARRA GUÍA 45cm | GUIDE BAR, 18" |
| 2 | 21BPX66X | 1 | CADENA 40cm | SAW CHAIN 16" |
| 2 | 21BPX72X | 1 | CADENA 45cm | SAW CHAIN, 18" |
| 3 | P021014660 | 1 | FUNDA | SCABBARD |
| 4 | 89856814530 | 1 | +CUERDA 5×900 | +ROPE 5×900 |



| NO. | PART NUMBER | QTY. | DESCRIPCIÓN | DESCRIPTION |
|--------------------------|-------------------|----------|-----------------------------------|--------------------------|
| 1 | P021017220 | 1 | MONTAJE DE FRENO DE CADENA | BRAKE ASSY, CHAIN |
| 2 | C300000313 | 1 | +CUBIERTA DE EMBRAGUE | +COVER, CLUTCH |
| 3 | V450000070 | 1 | +RESORTE DE COMPRESIÓN | +SPRING, COMPRESSION |
| 4 | V376000450 | 1 | +GUÍA | +GUIDE |
| 5 | C328000080 | 1 | +BANDA DE FRENO | +BAND, BRAKE |
| 6 | 9305030098 | 1 | +PASADOR ELÁSTICO 3×9.8 | +PIN, SPRING 3×9.8 |
| 7 | C334000090 | 1 | +CONECTOR DE FRENO | +CONNECTOR, BRAKE |
| 8 | 43311635430 | 1 | +ESPACIADOR 8×12×9 | +SPACER 8×12×9 |
| 9 | C345000211 | 1 | +CUBIERTA DE FRENO | +COVER, BRAKE |
| 10 | V202000060 | 3 | +PERNO 4×12 | +BOLT 4×12 |
| 11 | 9132503005 | 1 | +TORNILLO 3×5 | +SCREW 3×5 |
| 12 | C305000012 | 1 | PLACA GUÍA - EXTERNO | PLATE, GUIDE - OUTER |
| 13 | V202000060 | 1 | PERNO 4×12 | BOLT 4×12 |
| 14 | C320000113 | 1 | PALANCA DE FRENO | LEVER, BRAKE |
| 15 | V202000070 | 1 | PERNO 4 | BOLT 4 |
| 16 | 17721403930 | 1 | ARANDELA 4.2×16.5×1 | WASHER 4.2×16.5×1 |
| 17 | 43311635430 | 1 | ESPACIADOR 8×12×9 | SPACER 8×12×9 |
| 18 | V452000250 | 1 | RESORTE DE TORSIÓN | SPRING, TORSION |
| 19 | V356000300 | 1 | COLLAR 10 | COLLAR 10 |
| 20 | 9114505016 | 1 | PERNO ROSCADOR 5×16 | BOLT, TAPPING 5×16 |
| 20001001-20009902 | | | | |
| 21 | C300000312 | 1 | CUBIERTA DE EMBRAGUE | COVER, CLUTCH |
| 22 | 90022003006 | 1 | TORNILLO 3×6 | SCREW 3×6 |



| NO. | PART NUMBER | QTY. | DESCRIPCIÓN | DESCRIPTION |
|----------------------------|-------------------|----------|---|--------------------------|
| 1 | 43721039931 | 1 | TUBO DE SALIDA DE ACEITE | PIPE, OIL OUTLET |
| 2 | V490001230 | 2 | SUJETADOR Ø6.5MM | CLIP Ø6.5MM |
| 3 | 43721035430 | 1 | TUBO ACEITE | PIPE, OIL |
| 4 | 13211512330 | 1 | OJAL | GROMMET |
| 5 | 43620514730 | 1 | FILTRO DE ACEITE | FILTER, OIL |
| 6 | 90023804012 | 2 | TORNILLO 4x12 | SCREW 4x12 |
| 7 | C022000020 | 1 | ENGRASADOR AUTOMÁTICO | AUTO-OILER |
| 8 | V308000030 | 1 | ARANDELA 10.5x17.4x1.8 | WASHER 10.5x17.4x1.8 |
| 9 | V652000030 | 1 | ENGRANAJE DE TORNILLO SIN FIN | GEAR, WORM |
| 10 | V356000352 | 1 | COLLAR 10 | COLLAR 10 |
| 11 | 10001212331 | 1 | COJINETE DE AGUJAS 10 | BEARING, NEEDLE 10 |
| 12 | 17511412530 | 1 | PIÑÓN CORONA .325 | SPROCKET, .325 RIM |
| 13 | A556001270 | 1 | TAMBOR EMBRAGUE | DRUM, CLUTCH |
| 14 | 17501939430 | 1 | PLACA DE EMBRAGUE | PLATE, CLUTCH |
| 15 | A056000180 | 1 | MONTAJE DE EMBRAGUE | CLUTCH ASSY |
| 16 | V451000500 | 3 | +RESORTE DE TENSION | +SPRING, TENSION |
| 17 | P021007050 | 1 | +JUEGO DE ZAPATA DE EMBRAGUE (Cantidad 3) | +SHOE SET, CLUTCH (3PCS) |
| 18 | A552000070 | 1 | +CUBO DEL EMBRAGUE | +HUB, CLUTCH |
| 20001001 - 20010762 | | | | |
| 19 | V356000390 | 1 | COLLAR 10 | COLLAR 10 |
| 20 | 17501200831 | 1 | COJINETE DE AGUJAS | BEARING, NEEDLE |
| 21 | A556000480 | 1 | TAMBOR EMBRAGUE | DRUM, CLUTCH |



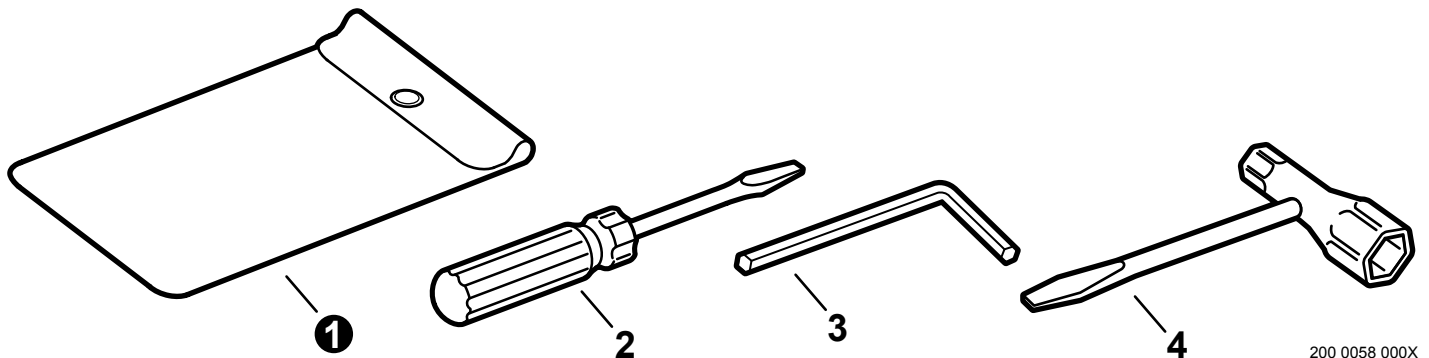
WT980 0000 000X

| NO. | PART NUMBER | QTY. | DESCRIPCIÓN | DESCRIPTION |
|-----|-------------------|------|--|------------------------------|
| 1 | A021001580 | 1 | CARBURADOR - WT-906A | CARBURETOR - WT-906A |
| 2 | 12311003930 | 1 | +TORNILLO | +SCREW |
| 3 | 12312438330 | 1 | +CUBIERTA DE LA BOMBA DE COMBUSTIBLE | +COVER, FUEL PUMP |
| 4 | 12313304260 | 1 | +RESORTE PARA AJUSTAR EL RALENTÍ | +SPRING, IDLE ADJUST |
| 5 | 12313404260 | 1 | +TORNILLO PARA AJUSTAR EL RALENTI | +SCREW, IDLE ADJUST |
| 6 | 12311403930 | 1 | +TORNILLO | +SCREW |
| 7 | 12311610530 | 1 | +VÁLVULA DEL ACELERADOR | +VALVE, THROTTLE |
| 8 | 12311337530 | 1 | +RESORTE DEL ACELERADOR | +SPRING, THROTTLE RETURN |
| 9 | P003001810 | 1 | +EJE DEL ACELERADOR | +SHAFT, THROTTLE |
| 10 | 12312715030 | 1 | +RETENEDOR TIPO "E" | +E-RING |
| 11 | P003001340 | 1 | +AGUJA DE REGULACION ALTA (H) | +NEEDLE, HIGH SPEED |
| 12 | 12311922130 | 1 | +RESORTE AGUJA DE REGULACION ALTA (H) | +SPRING, HIGH NEEDLE |
| 13 | 12311830330 | 1 | +AGUJA DE REGULACION BAJA (L) | +NEEDLE, LOW SPEED |
| 14 | 12312122130 | 1 | +RESORTE DE AGUJA DE RALENTI | +SPRING, LOW NEEDLE |
| 15 | 12312239330 | 1 | +RESORTE PALANCA DE MEDICIÓN | +SPRING, METERING LEVER |
| 16 | 12313903930 | 1 | +TORNILLO PASADOR DE PALANCA DE MEDICIÓN | +SCREW, METERING LEVER PIN |
| 17 | 12311403930 | 1 | +TORNILLO | +SCREW |
| 18 | P003001790 | 1 | +VÁLVULA ESTRANGULADOR | +VALVE, CHOKE |
| 19 | P003000140 | 1 | +RESORTE RETORNADOR ESTRANGULADOR | +SPRING, CHOKE RETURN |
| 20 | P003001510 | 1 | +PALANCA DE RALENTÍ RÁPIDO | +LEVER, FAST IDLE |
| 21 | 12314926030 | 1 | +ARANDELA | +WASHER |
| 22 | P003000150 | 1 | +EJE DEL ESTRANGULADOR | +SHAFT, CHOKE |
| 23 | 12311403930 | 1 | +TORNILLO | +SCREW |
| 24 | P003001780 | 1 | +PALANCA DE ACELERADOR | +LEVER, THROTTLE |
| 25 | 12313002960 | 1 | +TORNILLO | +SCREW |
| 26 | 12312703930 | 1 | +SUJETADOR DE EJE DEL ACELERADOR | +CLIP, THROTTLE SHAFT |
| 27 | 12314203930 | 1 | +TAPA DE DIAFRAGMA DE MEDICIÓN | +COVER, METERING DIAPHRAGM |
| 28 | 12313002960 | 4 | +TORNILLO | +SCREW |
| 29 | P003002190 | 1 | +JUEGO DE REPARACIÓN | +REPAIR KIT |
| 30 | 12311215030 | 1 | ++DIAFRAGMA DE LA BOMBA | ++DIAPHRAGM, PUMP |
| 31 | 12312515030 | 1 | ++EMPAQUETADURA DE LA BOMBA | ++GASKET, PUMP |
| 32 | 12312610631 | 1 | ++MALLA FILTRADORA | ++SCREEN, INLET |
| 33 | 12314610631 | 1 | ++TAPÓN WELCH | ++PLUG, WELCH |
| 34 | 12313719830 | 1 | ++VÁLVULA REGULADORA | ++VALVE, INLET NEEDLE |
| 35 | 12312338330 | 1 | ++PALANCA DE MEDICIÓN | ++LEVER, METERING |
| 36 | 12313803930 | 1 | ++PASADOR DE PALANCA DE MEDICIÓN | ++PIN, METERING LEVER |
| 37 | 12314003930 | 1 | ++EMPAQUETADURA DIAFRAGMA DE MEDICIÓN | ++GASKET, METERING DIAPHRAGM |
| 38 | P003001850 | 1 | ++DIAFRAGMA DE MEDICIÓN | ++DIAPHRAGM, METERING |



| NO. | PART NUMBER | QTY. | DESCRIPCIÓN | DESCRIPTION |
|-----|-------------|------|-------------------------------|-----------------------|
| 1 | 89034539230 | 1 | ETIQUETA DE PRECAUCIÓN | LABEL, CAUTION |
| 2 | X503008450 | 1 | ETIQUETA MODELO CS-420ES | LABEL, MODEL CS-420ES |
| 3 | X524001900 | 1 | ETIQUETA DE BOMBILLA DE PURGA | LABEL, PURGE PUMP |
| 4 | 89015739130 | 1 | ETIQUETA PARADA | LABEL, STOP |
| 5 | X502000410 | 1 | ETIQUETA ECHO | LABEL, ECHO |
| 6 | X502000340 | 1 | ETIQUETA ECHO | LABEL, ECHO (WHITE) |

Tools
Herramientas



200 0058 000X

| NO. | PART NUMBER | QTY. | DESCRIPCIÓN | DESCRIPTION |
|-----|-------------|------|------------------------|----------------------|
| 1 | 89851039130 | 1 | BOLSA DE HERRAMIENTAS | BAG, TOOL |
| 2 | 89581203930 | 1 | DESTORNILLADOR 50MM | SCREWDRIVER 50MM |
| 3 | X605000100 | 1 | LLAVE ALLEN 4MM | WRENCH, ALLEN 4MM |
| 4 | X602000080 | 1 | LLAVE EN T 13×19 L=180 | T-WRENCH 13×19 L=180 |