



- GB ENGLISH
- ES ESPAÑOL
- BR PORTUGUÊS

# OPERATOR'S MANUAL MANUAL DE INSTRUCCIONES MANUAL DO OPERADOR

## MB-580

### WARNING



READ THE INSTRUCTIONS CAREFULLY AND FOLLOW THE RULES FOR SAFE OPERATION. FAILURE TO DO SO COULD RESULT IN SERIOUS INJURY.

### ADVERTENCIA



LEA ATENTAMENTE LAS INSTRUCCIONES Y SIGA LAS INDICACIONES PARA UN FUNCIONAMIENTO SEGURO. DE NO HACERLO, PODRÍA SUFRIR LESIONES GRAVES.

### ATENÇÃO



LEIA AS INSTRUÇÕES CUIDADOSAMENTE E SIGA AS REGRAS PARA OPERAÇÃO SEGURA. O NÃO CUMPRIMENTO PODE RESULTAR EM LESÕES GRAVES.





ENGLISH  
GB (Original instructions)

# **OPERATOR'S MANUAL**

## **MIST BLOWER**

### **MB-580**

#### **WARNING**



**READ THE INSTRUCTIONS CAREFULLY AND FOLLOW THE  
RULES FOR SAFE OPERATION.  
FAILURE TO DO SO COULD RESULT IN SERIOUS INJURY.**

# Contents

---

For safe use of your product.....	3
Description.....	7
Before you start .....	8
Packing list .....	8
Assembly .....	8
Preparing the fuel .....	10
Chemicals.....	11
Engine operation.....	12
Starting the engine .....	12
Stopping the engine.....	13
Operating mist blower.....	14
Filling chemical tank .....	14
Using shoulder harness .....	14
Adjusting spray pattern .....	15
Adjusting spray volume.....	15
Maintenance and care .....	16
Servicing guideline.....	16
Maintenance and care .....	16
Troubleshooting table .....	19
Long-term storage(30 days or more).....	20
Specifications.....	21

# For safe use of your product

## Important information

### **WARNING**

**Please ensure that you read the operator's manual before using your product.**

#### **About your operator's manual**

- This manual contains necessary information about the assembly, operation, and maintenance of your product. Please read it carefully and absorb its contents.
- Always keep your manual in a place where it is readily accessible.
- If you have lost your manual or it is damaged and no longer readable, please purchase a new one from your dealer.
- The units used in this manual are SI units (International System of Units). Figures in parentheses are reference values, and there may be a slight conversion error in some cases.  
Failure to do so could lead to an accident or serious injury.

#### **Intended use of this product**

- This product is lightweight, high-performance, petrol engine knapsack units designed for spreading liquid chemical.
- Do not use this unit for any purpose other than aforementioned.
- The content of this manual may be changed without notice for the purpose of upgrades to the product. Some of the illustrations used may differ from the product itself in order to make the explanations clearer.
- Please consult your dealer if anything is unclear or of concern.  
Failure to do so could lead to an accident or serious injury.

#### **Do not modify the product**

- You must not modify the product.  
To do so could lead to an accident or serious injury. Any malfunction resulting from a modification to the product will not be covered by the manufacturer's warranty.

#### **Do not use the product unless it has been checked and maintained**

- You must not use the product unless it has been checked and maintained. Always ensure that the product is checked and maintained on a regular basis.  
Failure to do so could lead to an accident or serious injury.

#### **Loaning or assigning your product**

- When loaning your product to another party, ensure that the person borrowing the product receives the operator's manual along with it.
- If you assign your product to another party, please enclose the operator's manual with the product when handing it over.  
Failure to do so could lead to an accident or serious injury.

#### **Users of the product**

- The product should not be used by:
  - ◆ people who are tired
  - ◆ people who have taken alcohol
  - ◆ people who are on medication
  - ◆ people who are pregnant
  - ◆ people who are in poor physical condition
  - ◆ people who have not read the operator's manual
  - ◆ children
- Avoid direct contact or ingestion of chemicals you may use. Consult the label the chemicals, you may use for additional warning and precautions as well as emergency treatment. Stop operating the unit immediately if you feel sick or excessive fatigue during operation. See a doctor if this condition persists.
- Keep in mind that the operator or user is responsible for accidents or hazards occurring to other people or their property.  
Failure to observe these instructions could lead to an accident.
- The ignition system of this product generates electromagnetic fields during operation. Magnetic fields can cause pacemaker interference or pacemaker failure. To reduce health risks, we recommend that pacemaker users consult their physician and the pacemaker manufacturer before operating this product.



# For safe use of your product

## WARNING

### Vibration and cold

- It is believed that a condition called Raynaud's Phenomenon which affects the fingers of certain individuals may be brought about by exposure to vibration and cold. Exposure to vibration and cold may cause tingling and burning, followed by loss of colour and numbness in the fingers. The following precautions are strongly recommended because the minimum exposure which might trigger the ailment is unknown.
  - ◆ Keep your body warm, especially the head and neck, feet and ankles, and hands and wrists.
  - ◆ Maintain good blood circulation by performing vigorous arm exercises during frequent work breaks, and also by not smoking.
  - ◆ Limit the number of hours of operation. Try to fill each day with jobs where operating the mist blower or other hand-held power equipment is not required.
  - ◆ If you experience discomfort redness and swelling of the fingers, followed by whitening and loss of feeling, consult your physician before exposing yourself further to cold and vibration.

Failure to observe these instructions could result in damage to your health.

### Repetitive stress injuries

- It is believed that over-using the muscles and tendons of the fingers, hands, arms and shoulders may cause soreness, swelling, numbness, weakness and extreme pain to the areas just mentioned. Certain repetitive hand activities may put you at a high risk for developing a repetitive stress injury (RSI). To reduce the risk of RSI, do the following:
  - ◆ Avoid using your wrist in a bent, extended or twisted position.
  - ◆ Take periodic breaks to minimize repetition and rest your hands. Reduce the speed and force in which you do the repetitive movement.
  - ◆ Do exercises to strengthen hand and arm muscles.
  - ◆ See a doctor if you feel tingling, numbness or pain in your fingers, hands, wrists or arms. The sooner RSI is diagnosed, the more likely permanent nerve and muscle damage can be prevented.

Failure to observe these instructions could result in damage to your health.

### Proper training

- Do not permit operation without proper training and protective equipment.
- Be thoroughly familiar with the controls and proper use of unit.
- Know how to stop the unit and shut off the engine.
- Know how to unhook a harnessed unit quickly.
- Never allow anyone to use the unit without proper instruction.

Failure to observe these instructions could result in damage to your health.

### Wear proper clothing.

- Do not wear ties, jewellery, or loose, dangling clothing which could be caught in the unit.
- Do not wear open toed footwear, or go bare-foot or barelegged.
- Secure hair so it is above shoulder length.

Failure to observe these precautions could result in damage to your sight or hearing, or lead to a serious injury.



### Wear protective gear

- Always wear the following protective gear when working with the unit.
  - ◆ Head protection (cap): Protects the head
  - ◆ Ear muffs or ear plugs: Protect the hearing
  - ◆ Safety goggles: Protect the eyes
  - ◆ Officially approved toxic mist respirator: Protects the breathing
  - ◆ Non-slip, heavy rubber work gloves: Protect the hands from chemicals
  - ◆ Chemical resisting work clothes: Protect the body
  - ◆ Non-skid sole shoes (with toecaps) : Protect the feet

Failure to observe these precautions could result in damage to your sight or hearing, or lead to a serious injury.

### Environment of use and operation

- Do not use the product:

- ◆ a windy day or rainy day to avoid chemical drift.
- ◆ on steep slopes or in places which give no secure foothold and are thus slippery.
- ◆ at night or in dark places with poor visibility.

A serious injury could result if you fall or slip, or fail to operate the product correctly.

- Heavy protective clothing can increase operator fatigue which may lead to heat stroke. Delay heavy work until the temperature drops.

Failure to observe these instructions could result in damage to your health.

# For safe use of your product

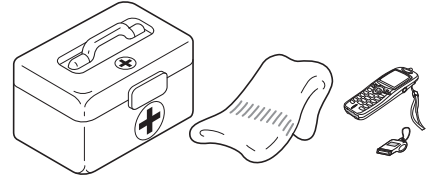
## WARNING

### Being prepared in case of an injury

○ In the unlikely event of an accident or injury, please ensure that you are prepared.

- ◆ First aid kit
- ◆ Towels and wipes (to stop any bleeding)
- ◆ Whistle or mobile phone (for calling outside help)

If you are unable to perform first aid or call for outside help, the injury could worsen.



### Put safety first in the case of fire or smoke

○ If fire comes from the engine or smoke appears from any area other than the exhaust vent, first distance yourself from the product to ensure your physical safety.

○ Use a shovel to throw sand or other such material on the fire to prevent it from spreading, or put it out with a fire extinguisher.

A panicked reaction could result in the fire and other damage becoming more extensive.



## Warning notices

### DANGER

This symbol accompanied by the word "**DANGER**" calls attention to an act or a condition which will lead to serious personal injury or death of operators and bystanders.

### WARNING

This symbol accompanied by the word "**WARNING**" calls attention to an act or a condition which can lead to serious personal injury or death of operators and bystanders.

### CAUTION

"**CAUTION**" indicates a potentially hazardous situation which, if not avoided, may result in minor or moderate injury.

## Other indicators



Circle and slash symbol means whatever is shown is prohibited.









### NOTE

This enclosed message provides tips for use, care and maintenance of the product.






### IMPORTANT

Framed text featuring the word "**IMPORTANT**" contains important information about the use, checking, maintenance and storage of the product described in this manual.

## Symbols

Symbol form/shape	Symbol description/application	Symbol form/shape	Symbol description/application
	Carefully read the operator's manual		Petrol and oil mixture
	Wear eyes, ears and head protection		Choke Control "Cold Start" Position (Choke Closed)
	Wear foot protection and gloves		Choke Control "Run" Position (Choke Open)
	Emergency stop		Finger Severing

# For safe use of your product

Symbol form/shape	Symbol description/applica- tion	Symbol form/shape	Symbol description/applica- tion
	Do not use the product in plac- es with poor ventila- tion		Beware of high-temperature areas
	Beware of fire		Engine start
	Beware of electric shocks		

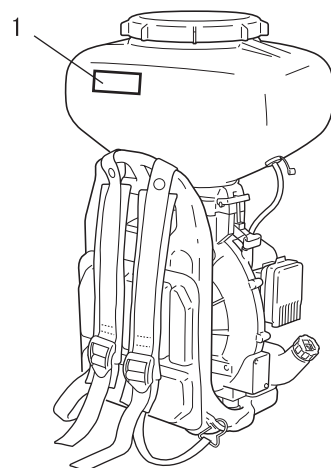
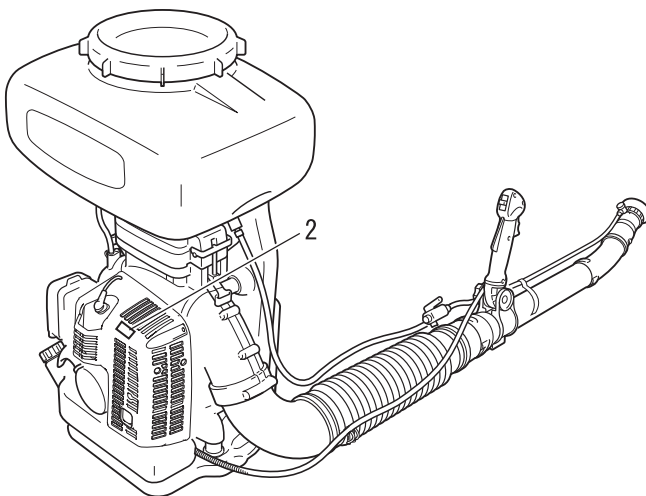
## Safety decal(s)

- The safety decal shown below has been attached to the products described in this manual. Ensure that you understand what the decal means before using your product.
- If the decal becomes unreadable due to wear and tear or damage, or peels off and is lost, please purchase a replacement decal from your dealer and attach it in the location shown in the illustrations below. Ensure that the decal is readable at all times.

1. Safety decal (Part number 890160-09461)

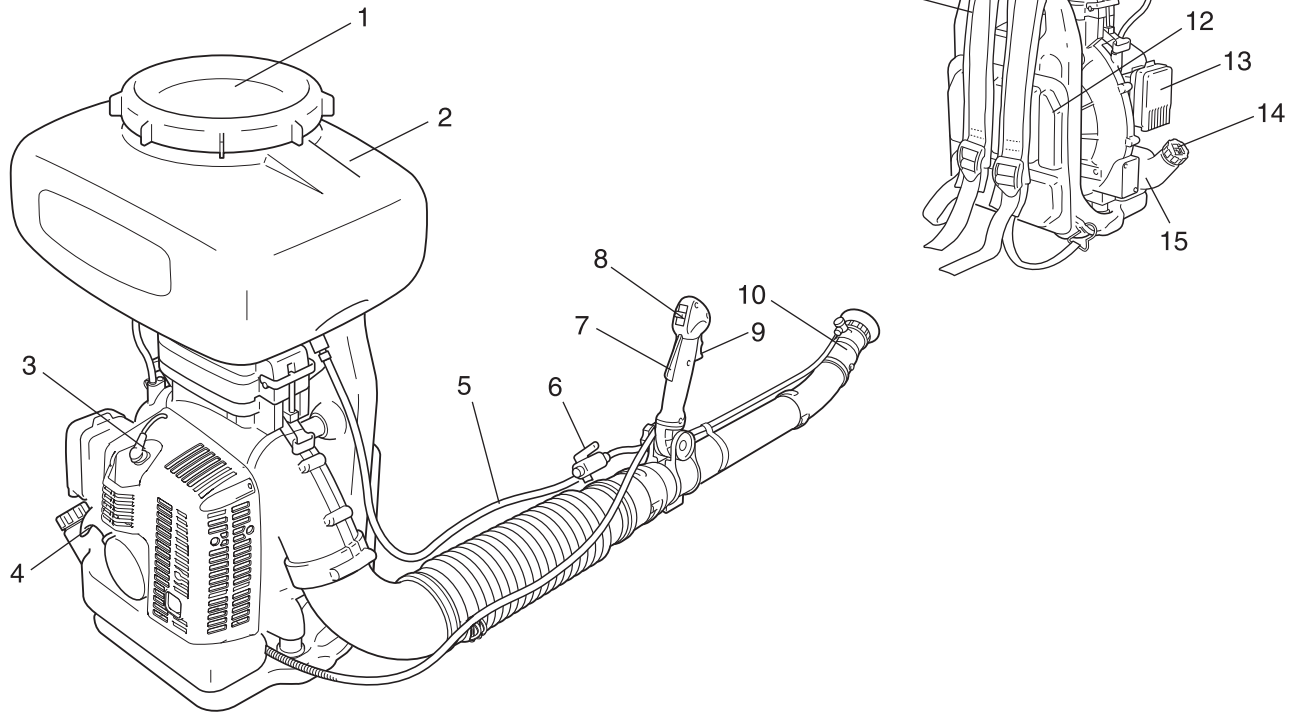


2. Safety decal (Part number X505-002310)





# Description

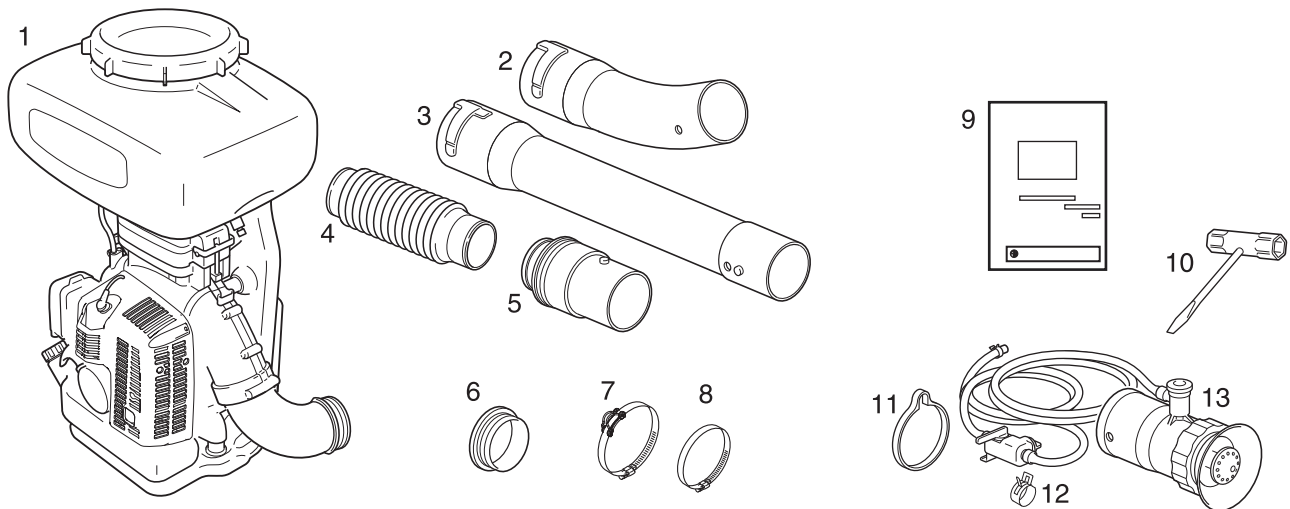


1. **Chemical tank cap**
2. **Chemical tank** Contains chemical.
3. **Spark plug**
4. **Starter handle** Pull handle to start the engine.
5. **Discharge tube**
6. **Valve**
7. **Throttle trigger lockout** Locks throttle trigger in the idling position until you have a proper grip with your right hand around the handle.
8. **Ignition switch** "Slide switch" mounted on top of the throttle trigger housing, move switch forward to RUN, backward to STOP position.
9. **Throttle trigger** Activated by the operator's finger for controlling the engine speed.
10. **Nozzle**
11. **Shoulder harness** An adjustable strap to suspend unit.
12. **Cushion back-plate**
13. **Air cleaner cover** Covers air filter.
14. **Fuel tank cap** For closing the fuel tank.
15. **Fuel tank** Contains fuel and fuel filter.

# Before you start

## Packing list

- ♦ The following parts are packed separately in the packing box.
- ♦ When you have unpacked the box, please check the parts that it contains.
- ♦ Contact your dealer if anything is missing or broken.

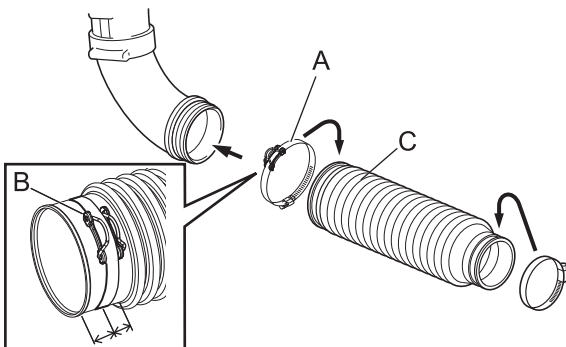


- |                          |                      |
|--------------------------|----------------------|
| 1. Mist blower           | 8. Clamp             |
| 2. Curved pipe           | 9. Operator's manual |
| 3. Straight pipe         | 10. Socket wrench    |
| 4. Flexible pipe         | 11. Rubber band      |
| 5. Swivel pipe           | 12. Band             |
| 6. Packing               | 13. Nozzle           |
| 7. Clamp with guide loop |                      |

## Assembly

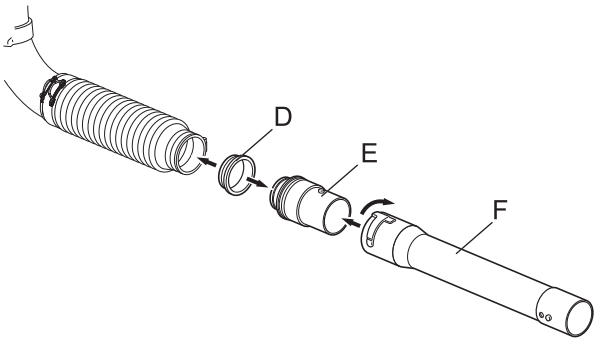
### **WARNING**

- **Read the operator's manual carefully to ensure that you assemble the product correctly.**  
Using a product that has been incorrectly assembled could lead to an accident or serious injury.

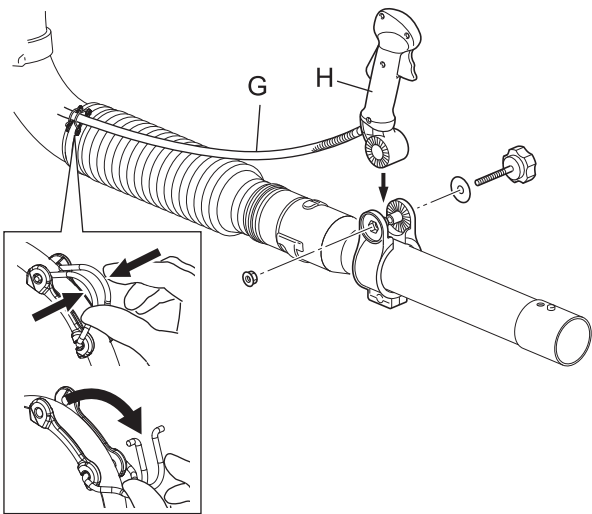


1. Assemble clamp with guide loop (A) onto end with larger diameter of flexible pipe (C). Place clamp with opening side (B) of clip directed upward.
2. Assemble flexible pipe to elbow.
3. Place clamp with guide loop around midway between end of flexible pipe and bellows. Position guide loop on outside of flexible pipe at inclined angle of around 45° upward, and tighten clamp.

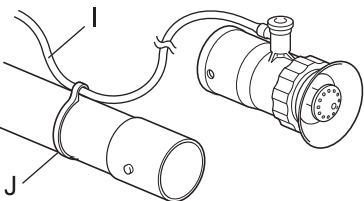
# Before you start



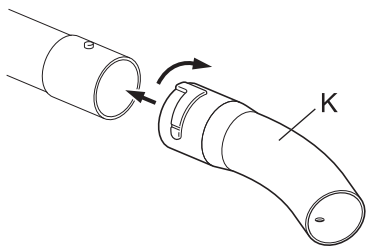
- 4. Install packing (D) to swivel pipe (E).
- 5. Assemble swivel pipe to flexible pipe.
- 6. Assemble straight pipe (F) to swivel pipe.



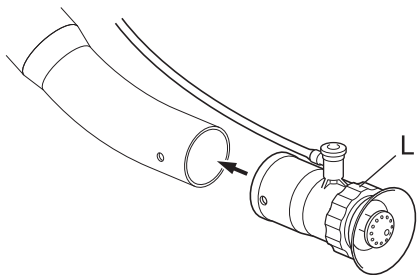
- 7. Clip throttle cable (G) into guide loop.
- 8. Position handle (H) at a location suitable for comfortable operation, and tighten knob.



- 9. Assemble one straight pipe to the other.
- 10. Put discharge tube (I) into rubber band (J).

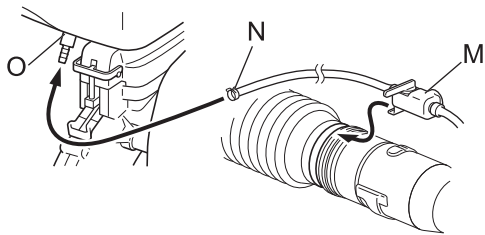


- 11. Assemble curved pipe (K) onto straight pipe.



- 12. Assemble nozzle pipe (L) to curved pipe.

# Before you start



13. Assemble valve (M) to clamp and tighten clamp.
14. Insert discharge tube into chemical tank (O).
15. Using a tool like pliers, fix the tube with band (N).

## Preparing the fuel

### DANGER

- Do not fuel up while the engine is hot or in operation.
- Do not smoke or hold a flame near when refuelling.  
If you do so, the fuel could ignite and cause fire, leading to burns.



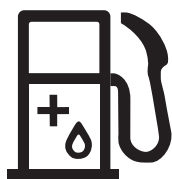
### WARNING

- Do not fill fuel tanks indoors. Always fill fuel tanks outdoors over bare ground. Do not refuel the product on the loading platform of a truck, or in other such places.
- Fuel tanks/cans may be under pressure. Always loosen fuel caps slowly allowing pressure to equalize. Otherwise, fuel may get spewed.
- Mop up any fuel that overflows or spills out due to overfilling.  
Fuel spills can cause fire and burns when ignited.
- After refuelling, always check that there are no leaks or discharges of fuel from the fuel pipe, fuel system grommets, or around the fuel tank cap. If you do find fuel leaks or discharges, stop using the product immediately and contact your dealer to have it repaired.  
Any fuel leaks could cause fire.
- Keep the refuelling tank in a shaded area away from fire.
- Use an approved fuel container.

### IMPORTANT

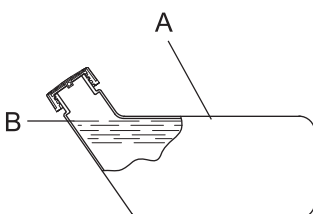
- Fuel is a mixture of regular grade petrol and an air-cooled 2-stroke engine oil of reputable brand name. Minimum 89 Octane unleaded petrol is recommended. Do not use fuel containing methyl alcohol or more than 10% of ethyl alcohol.
- Stored fuel ages. Do not mix more fuel than you expect to use in thirty (30) days.

## Fuel



- ◆ Recommended mixture ratio; 50 : 1 (2 %) for ISO-L-EGD Standard (ISO/CD 13738), JASO FC,FD grade and ECHO Premium 50 : 1 oil.
- ◆ Do not mix directly in engine fuel tank.

## Fuel supply



- ◆ Do not add so much fuel that it reaches the mouth of the fuel tank (A). Keep the fuel within the prescribed level (up to the shoulder level (B) of the fuel tank).
- ◆ Tighten the fuel tank cap securely after refuelling.

## Chemicals

### **WARNING**

- **Avoid direct contact and ingestion of chemicals. Some chemicals may be strongly harmful to human and animals.**  
Misuse of the chemicals can result in serious poisoning or death.
- **Sulfur is a very inflammable material. When spraying chemicals containing sulfur, carefully read explanation on application attached to the chemicals and treat them with care.**

### **NOTE**

- Do not dilute chemicals directly in the chemical tank.

- ♦ Follow all precautions and instructions in the label of chemicals when handling.
- ♦ Never allow untrained persons or children to handle chemicals and the unit.
- ♦ Stop engine and put the unit down when filling chemicals.
- ♦ Be sure to close valve before filling chemicals.
- ♦ Do not overfill chemicals and wipe spillage away immediately.
- ♦ Secure chemical tank cap firmly to avoid leakage of chemicals during the operation.

# Engine operation

## Starting the engine

### WARNING

Be particularly careful to observe the following precautions when starting the engine:

- Move at least 3m from the place where you refueled.
  - Place the product in a flat, well ventilated place.
  - Check that there are no fuel leaks.
  - Check that none of the nuts and bolts are loose.
  - Leave plenty of space around the product and do not allow people or animals near it.
  - Take precautions to keep hair from being drawn into fan.
  - Start the engine with the throttle trigger in the idle speed position.
  - Hold the product firmly to the ground when starting the engine.
- Failure to observe the precautions could cause an accident or injury, or even lead to a fatality.

- Check that there are no abnormal vibrations or sounds once the engine starts. Do not use the product if there are abnormal vibrations or sounds. Contact your dealer to have it repaired.

Accidents involving parts that fall or shatter off can cause wounds or serious injury.

- The exhaust fumes from the engine contain toxic gases. Do not operate the product indoors or in other ill ventilated places.

The exhaust fumes could cause poisoning.



- Do not touch silencer, spark plug, and other high temperature components while the product is running or for some time after it stops.

You could burn yourself if you touch a high temperature component.



- Do not touch spark plug, spark plug wire, and other high voltage components while the product is running.

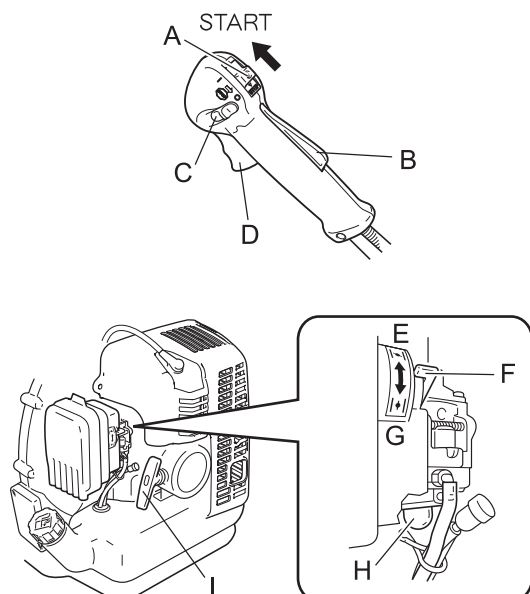
You could receive an electric shock if you touch a high voltage component while the product is running.



### NOTE

- Pull out the starter grip gently at first, and then more rapidly. Do not pull the starter rope out to more than 2/3 of its length.
- Do not let go of the starter grip as it returns.

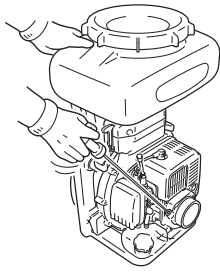
## Starting a cold engine



(Connect the spark plug cap if the product has been in storage for a long period of time.)

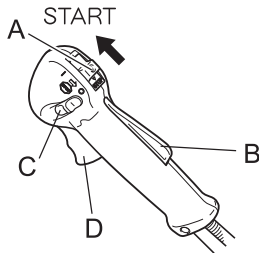
1. Placing the product on level ground.
2. Be sure that valve is closed.
3. Move the ignition switch (A) to the Start position.
4. Make sure that the throttle trigger (D) is at the idle speed position.
5. Move the choke lever (F) to the "Cold Start" (E) position.
6. Alternately press and release the purge bulb (H) until the fuel is sucked up into it.
7. Checking that the area around you is safe, hold the product firmly as shown in the illustration, pulling several times on the starter grip (I).
8. If you hear an explosion-like sound and the engine stops immediately, move the choke lever to the "Run" (G) position and continue pulling on the starter grip to start the engine.
9. If the engine does not stop, return the choke lever gently to the "Run" position.
10. Leave the engine to warm up at idle speed for a while.

# Engine operation



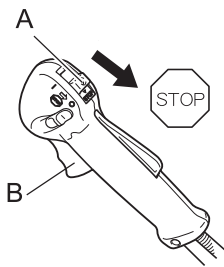
- \* When engine is hard to start, use throttle latch (C). (Pull throttle trigger fully and lower throttle latch while pressing throttle trigger lockout (B) and release throttle trigger to activate throttle latch. After engine starts, pull throttle trigger slightly to release throttle latch immediately.)

## Starting a warm engine



1. Move the ignition switch (A) to the Start position.
2. Make sure that the throttle trigger (D) is at the idle speed position.
3. Check that the choke lever is in the "Run" position.
4. If no fuel is visible in the purge bulb, alternately press and release the purge bulb until the fuel is sucked up into it.
5. Checking that the area around you is safe, hold the position closest to the engine firmly, and pull on the starter grip to start the engine.
6. Checking that the area around you is safe, hold the product firmly, pulling several times on the starter grip (I).

## Stopping the engine



1. Move the throttle trigger (B) to the idle speed position and set the engine to idling (i.e. low speed).
  2. Move the ignition switch (A) to the Stop position.
  3. In the event of an emergency, stop the engine immediately using the ignition switch.
  4. If the engine fails to stop, move the choke lever to the "Cold Start" position. The engine will stall and come to a halt (an emergency stop).
- \* If the engine fails to stop when the ignition switch is used, have the ignition switch checked and repaired by your dealer before you use the product again.
5. Always disconnect the spark plug wire from the spark plug to ensure the engine cannot be started before you work on the unit or leave it unattended.

# Operating mist blower

## WARNING

- Before starting the job, check wind direction. Avoid blowing in the direction of open doors and windows, cars, pets, children or anything that could be harmed by chemical.
- This unit is designed for upright use only, do not lay down or lean excessively to avoid leakage of chemicals when operating and transporting.
- This unit will change your equilibrium. Extra precautions should be taken to maintain your footing and balance.
- Check the shoulder harnesses are not tangled with any control levers when you put the unit on your back.

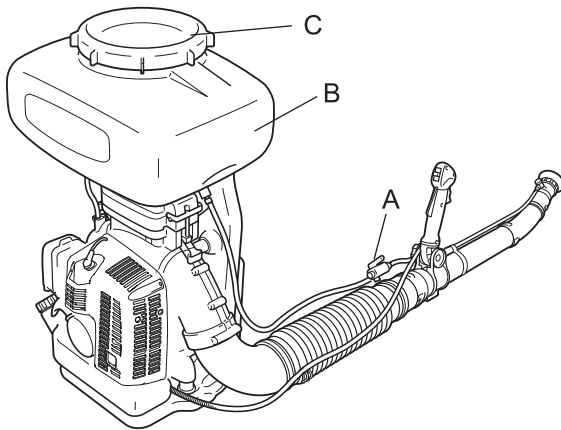
### Transport of the product

- When transporting in the situations described below, turn off the engine and position the silencer away from yourself.
  - ◆ Moving to the place where you are working.
  - ◆ Moving to another area while you are working.
  - ◆ Leaving the place where you have been working.Failure to observe these precautions could cause burns or serious injury.
- When transporting the product by car, empty the fuel tank, and secure the product firmly in place to prevent it from moving around.  
Travelling by car with fuel in the fuel tank could lead to a fire.

## IMPORTANT

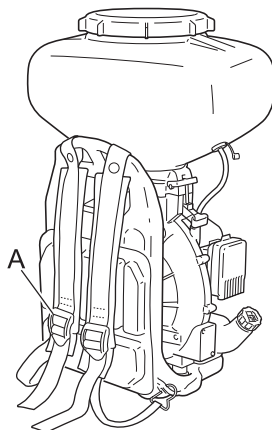
- Mist blowing must be done leewardly. Choose morning or evening when it is not so windy, and the ground temperature reverses, so as to minimize dispersion losses and enhance chemical adhesion effect and for less hazardous operation.
- Before operating the unit, check and follow local regulations concerning sound level and hours of operation.
- Avoid using units when people are likely to be disturbed, such as late at night or early in the morning.
- Operate the unit at the lowest possible throttle setting that gets the job done.
- Make sure the silencer works well. Also check the air intakes and the air filter to make sure the unit is working properly.
- Use only one piece of equipment at a time.

### Filling chemical tank



- ◆ Close valve (A).
- ◆ Fill liquid chemical through filter into tank (B). Stir up after filling to avoid chemical deposits at bottom of tank.
- ◆ Secure tank cap (C) firmly to avoid air pressure leakage. If not, it results in poor spraying.

### Using shoulder harness

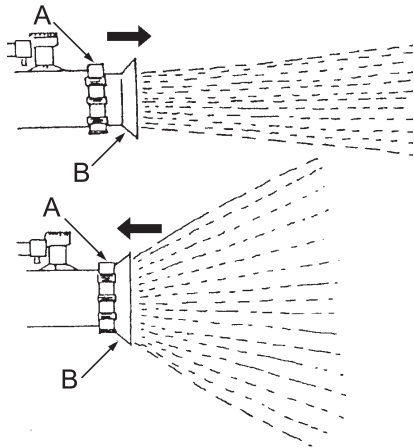


- ◆ Adjust the length of the shoulder harness by using buckle (A) so that you can operate the unit comfortably.



# Operating mist blower

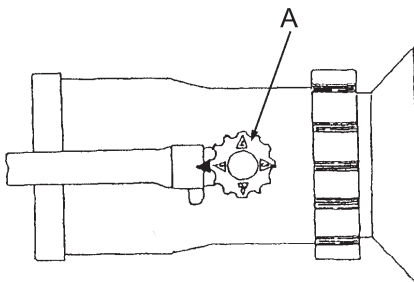
## Adjusting spray pattern



The spray pattern can be adjusted from the straight stream to an open spray by adjusting the position of collar.

- ♦ Loosen collar nut (A) and pull collar (B) forward to obtain a straight stream.
- ♦ Push collar backward to obtain a wide spray.

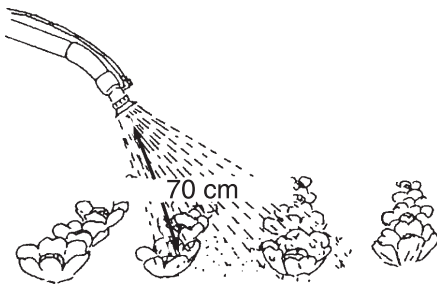
## Adjusting spray volume



The spray volume can be adjusted by lining up the number (A) with mark as shown. The spraying volume is prescribed as follows.

Setting number	1	2	3	4
Discharge volume (L /min)	1.8	2.4	3.4	4.4

(Orientation of the pipe: horizontal)



## NOTE

- Keep nozzle at a distance of 70 cm far from plants to prevent damage.
- Make job done before diluted chemical depositing at the bottom of the chemical tank..

# Maintenance and care

## ⚠ WARNING

Observe the following precautions when checking and maintaining your product after use:

- Turn the engine off and do not attempt to check or maintain the product until the engine has cooled.  
You could burn yourself.
- Remove the spark plug cap before performing checks and maintenance.  
An accident could occur if the product starts unexpectedly.

## IMPORTANT

- Checking and maintenance requires specialist knowledge. If you are unable to check and maintain the product or deal with a fault yourself, consult your dealer. Do not attempt to dismantle the product.

### Servicing guideline

Area	Maintenance	Page	Before use	Monthly
Air filter	Clean/Replace	16	•	
Fuel filter	Inspect/Clean/Replace	17	•	
Spark plug	Inspect/Clean/Adjust/Replace	18		•
Carburettor	Inspect/Replace and adjust	-		•
Cooling system	Inspect/Clean	17	•	
Silencer	Inspect/Tighten	-	•	
Silencer	Clean	17		•*
Starter	Inspect	-	•	
Fuel system	Inspect	18	•	
Screws, bolts and nuts	Inspect, Tighten/Replace	-	•	

\* Or 100 hours, whichever occurs first.

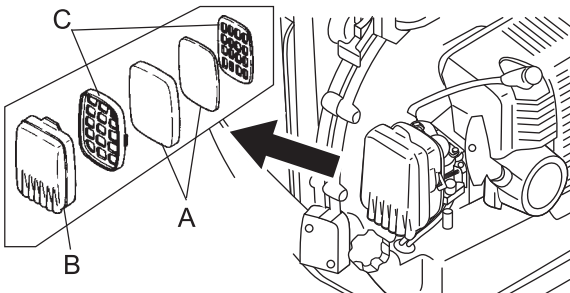
## IMPORTANT

- Time intervals are maximum. Actual use and your experience will determine the frequency of required maintenance.

### Maintenance and care

If you have any questions or problems, please contact your dealer.

#### Cleaning air filter



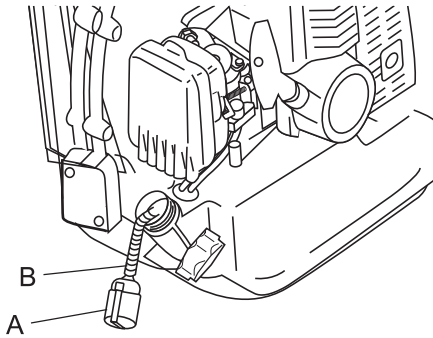
## NOTE

- Clean air filter (A) after each use.

1. Close choke, remove air cleaner cover (B), grids (C), air filters. Then check and/or clean air filters by washing in a suitable solvent when heavily soiled.
2. Dry filters before reinstalling.

# Maintenance and care

## Replacing fuel filter



### NOTE

- A clogged fuel filter will cause hard starting or poor engine performance.
- Keep fuel tank clean - do not allow dirt or debris to enter fuel tank.

1. Use a piece of metal wire or the like to pick up fuel filter (A) through fuel tank opening.
2. Pull old filter from fuel line (B).
3. Install new fuel filter.
4. Make sure fuel filter goes to bottom of the tank.

## Cooling system maintenance

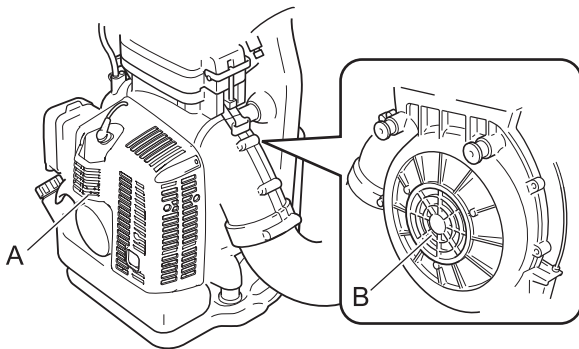
### ⚠ WARNING

- Do not place hand between engine and backpack housing while engine is in operation. Be sure the engine is fully stopped before inserting hands to remove any debris. If available, use a utensil to remove the debris. Failure to observe the precautions could cause an accident or injury, or even lead to a fatality.

### IMPORTANT

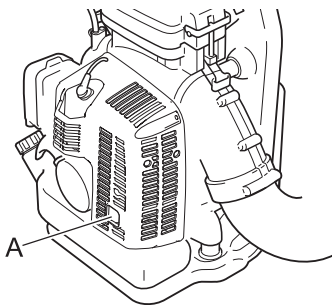
- To maintain proper engine operating temperature, cooling air must pass freely through the cylinder fin area. This flow of air carries combustion heat away from the engine. Overheating and engine seizure can occur when:
  - ◆ Air intakes are blocked, preventing cooling air from reaching the cylinder,
  - ◆ Dust and grass build up on the outside of the cylinder. This build-up insulates the engine and prevents the heat from leaving.

Removal of cooling passage blockages or cleaning of cylinder fins is considered "Normal Maintenance". Any resultant failure attributed to lack of maintenance is not warranted.



- ◆ Remove dust and dirt from between fins (A).
- ◆ Remove all dirt, leaves, and other debris from fan case grid. Care should be taken not to let foreign objects enter fan case through grid (B). It surely cause damage to fan and fan case.

## Cleaning silencer

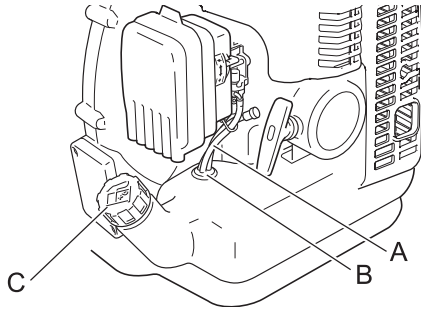


- ◆ Clean silencer by removing carbon deposits at outlet port (A). This should be done periodically to maintain constant performance of engine.

# Maintenance and care

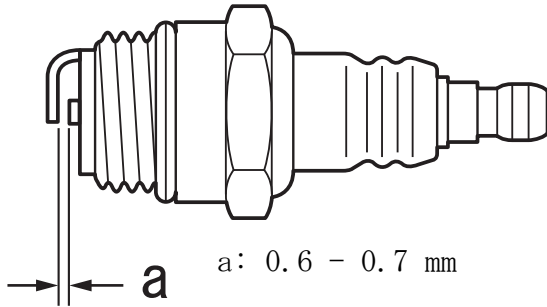
---

## Check fuel system



- ♦ Check before every use.
- ♦ After refuelling, make sure fuel does not leak or exude from around fuel pipe (A), fuel grommet (B) or fuel tank cap (C).
- ♦ In case of fuel leakage or exudation, there is a danger of fire. Stop using the machine immediately and request your dealer to inspect or replace.

## Check spark plug



1. Check plug gap. Correct gap is 0.6 mm to 0.7 mm.
  2. Inspect electrode for wear.
  3. Inspect insulator for oil or other deposits.
  4. If the electrodes or terminals are worn, or if there are cracks in the ceramics, replace them with new parts.
  5. Tighten to 15 N·m - 17 N·m (150 kgf·cm to 170 kgf·cm).
- \* The spark test (for checking whether the spark plug is sparking) must be carried out by your dealer.

# Maintenance and care

## Troubleshooting table

<b>IMPORTANT</b>			
○ For spare parts and consumables, please use only genuine parts and designated products and components. Using parts from other manufacturers or non-designated components may result in a malfunction.			
<b>Problem</b>	<b>Diagnosis</b>	<b>Cause</b>	<b>Solution</b>
The engine does not start		<ol style="list-style-type: none"> <li>1. There is no fuel in the fuel tank</li> <li>2. The stop switch is in the Stop position</li> <li>3. Excess fuel suction</li> <li>4. Electrical fault</li> <li>5. Carburettor malfunction or internal sticking</li> <li>6. Internal engine malfunction</li> </ol>	<ol style="list-style-type: none"> <li>1. Fuel supply</li> <li>2. Move to the Start position</li> <li>3. Start the engine after servicing</li> <li>4. Consult your dealer</li> <li>5. Consult your dealer</li> <li>6. Consult your dealer</li> </ol>
Engine is difficult to start, fluctuating rotation	Fuel is entering the overflow pipe	<ol style="list-style-type: none"> <li>1. Fuel degradation</li> <li>2. Carburettor problem</li> </ol>	<ol style="list-style-type: none"> <li>1. Replace with new fuel</li> <li>2. Consult your dealer</li> </ol>
	No fuel is entering the overflow pipe	<ol style="list-style-type: none"> <li>1. Fuel filter is clogged</li> <li>2. Fuel system is clogged</li> <li>3. Internal carburettor parts sticking</li> </ol>	<ol style="list-style-type: none"> <li>1. Clean or replace</li> <li>2. Consult your dealer</li> <li>3. Consult your dealer</li> </ol>
	The spark plug is dirty or damp	<ol style="list-style-type: none"> <li>1. Fuel degradation</li> <li>2. Incorrect electrode gap</li> <li>3. Carbon deposits</li> <li>4. Electrical fault</li> </ol>	<ol style="list-style-type: none"> <li>1. Replace</li> <li>2. Replace</li> <li>3. Replace</li> <li>4. Consult your dealer</li> </ol>
Engine starts but no acceleration is possible		<ol style="list-style-type: none"> <li>1. Dirty air filter</li> <li>2. Dirty fuel filter</li> <li>3. Blocked fuel passage</li> <li>4. Carburettor adjustment problem</li> <li>5. Blocked exhaust vent or silencer vent</li> </ol>	<ol style="list-style-type: none"> <li>1. Clean or replace</li> <li>2. Clean or replace</li> <li>3. Consult your dealer</li> <li>4. Adjust</li> <li>5. Clean</li> </ol>
The engine stops		<ol style="list-style-type: none"> <li>1. Carburettor adjustment problem</li> <li>2. Electrical fault</li> </ol>	<ol style="list-style-type: none"> <li>1. Adjust</li> <li>2. Consult your dealer</li> </ol>
The engine fails to stop		<ol style="list-style-type: none"> <li>1. Stop switch malfunction</li> </ol>	<ol style="list-style-type: none"> <li>1. Perform an emergency stop and consult your dealer</li> </ol>
No mist discharge or poor mist discharge		<ol style="list-style-type: none"> <li>1. Valve closed (or partially closed)</li> <li>2. Valve clogged</li> <li>3. Discharge pipe clogged</li> <li>4. Nozzle clogged</li> <li>5. Loosened chemical tank cap</li> </ol>	<ol style="list-style-type: none"> <li>1. Open</li> <li>2. Clean</li> <li>3. Clean</li> <li>4. Clean</li> <li>5. Secure</li> </ol>

- ◆ Consult your dealer in the event of a problem that is not covered in the table above, or other such concerns.
- ◆ Please contact your dealer in order to dispose of the product or its parts in compliance with national laws.

# Maintenance and care

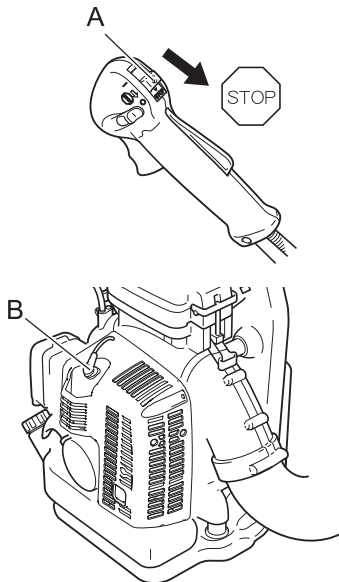
## Long-term storage(30 days or more)

### **WARNING**

○ Do not store in sealed locations filled with fuel gas, or close to naked flames or sparks.  
You could cause a fire.



When storing the product for long periods of time (30 days or more), ensure that the following preparations for storage are carried out.



1. Drain or take out remaining chemical from the tank. Clean inside of chemical tank and discharge tube.
2. Remove any fuel from the fuel tank.
3. Alternately press and release the purge bulb a number of times to remove the fuel from the purge bulb.
4. Start the engine and run it at idle speed until it comes to a natural stop.
5. Move the ignition switch (A) to the Stop position.
6. Once the product is sufficiently cool, wipe clean any grease, oil, dust, dirt and other materials on the outside of the unit.
7. Perform the periodic checks prescribed in this manual.
8. Check that the screws and nuts are tightened. Tighten up any that are loose.
9. Remove the spark plug and add the appropriate quantity (around 10 mL) of clean, new 2-stroke engine oil to the cylinder via the installation socket.
10. Place a piece of clean cloth over the spark plug installation socket.
11. Pull 2 or 3 times on the starter grip to distribute the engine oil into the cylinder.
12. Observe the piston location through the spark plug hole. Pull the recoil starter handle slowly until the piston reaches the top of its travel and leave it there.
13. Fit the spark plug. (Do not connect the spark plug cap (B).)
14. Store in a dry, dust-free location out of reach of children.

# Specifications

		<b>MB-580</b>
<b>Mass:</b> (without blower pipes, empty tank)	kg	11.1
<b>Volume:</b> Fuel tank (full)	L	1.85
<b>External dimensions:</b> Length × Width × Height (without pipes)	mm	332 × 477 × 740
<b>Engine: Type</b> Engine displacement maximum power Engine speed at maximum engine power  Carburettor Ignition Spark plug Starter	mL (cm <sup>3</sup> ) kW r/min	Air cooled 2-stroke single cylinder  58.2 2.50 8350  Diaphragm type Flywheel magneto - CDI system NGK BPM7Y Recoil starter
<b>Fuel:</b>  Oil  Ratio Fuel consumption at maximum engine power Specific fuel consumption at maximum engine power	L/h g/(kW•h)	Regular grade petrol. Minimum 89 Octane unleaded petrol is recommended. Do not use fuel containing methyl alcohol, more than 10% ethyl alcohol or 15% MTBE. Do not use alternative fuels such as E-20 or E-85. Two stroke, air-cooled engine oil. ISO-L-EGD Standard (ISO/CD 13738), JASO FC,FD grade and ECHO Premium 50 : 1 oil. 50 : 1 (2%)  1.8 526
Blower		Centrifugal type
Chemical Tank Capacity	L	23
<b>Misting:</b> liquid feeding system mist adjusting system  max mist discharge	L/min	Pressurized air system Nozzle valve control  4.4

These specifications are subject to change without notice.

# YAMABIKO CORPORATION

7-2 SUEHIROCHO 1-CHOME, OHME, TOKYO 198-8760, JAPAN  
PHONE: 81-428-32-6118. FAX: 81-428-32-6145.



X750106-8300





ESPAÑOL  
ES (Instrucciones originales)

# MANUAL DE INSTRUCCIONES

## SOPLADORA DE NEBLINA

### MB-580

#### ADVERTENCIA



LEA ATENTAMENTE LAS INSTRUCCIONES Y SIGA LAS INDICACIONES PARA UN FUNCIONAMIENTO SEGURO.  
DE NO HACERLO, PODRÍA SUFRIR LESIONES GRAVES.

# Contenido

---

Para una utilización segura del producto.....	3
Descripción .....	8
Antes de comenzar .....	9
Lista de piezas .....	9
Montaje .....	9
Preparación del combustible .....	11
Químicos .....	12
Funcionamiento del motor .....	13
Arranque del motor .....	13
Parada del motor .....	14
Manejo de la sopladora de neblina.....	15
Llenado del depósito de químicos .....	15
Uso del arnés .....	16
Ajuste el patrón de rociado .....	16
Ajuste del volumen de rociado.....	16
Mantenimiento y cuidados .....	17
Directrices para el servicio.....	17
Mantenimiento y cuidados .....	17
Tabla de localización de averías .....	20
Almacenamiento durante un largo periodo (30 días o más).....	21
Características técnicas.....	22

# Para una utilización segura del producto

## Información importante

### **⚠ ADVERTENCIA**

**Asegúrese de leer el manual de instrucciones antes de utilizar el producto.**

#### **Acerca del manual de instrucciones**

- Este manual proporciona la información necesaria para el montaje, funcionamiento y mantenimiento de esta máquina. Léalo atentamente y asimile su contenido.
  - Mantenga siempre el manual en un lugar fácilmente accesible.
  - Si ha extraviado el manual o está dañado y no es posible leerlo, por favor adquiera uno nuevo en su distribuidor.
  - Los aparatos utilizados en este manual son aparatos SI (sistema internacional de unidades). Las imágenes que se encuentran entre paréntesis son valores de referencia y, en algunos casos, puede haber un ligero error de conversión.
- Si no lo hace, podría producirse un accidente o una lesión grave.

#### **Uso al que está destinado este producto**

- Este producto tipo mochila de peso ligero y alto rendimiento funciona con motor de gasolina y ha sido diseñado para el rociado de químicos líquidos.
  - No utilice este aparato para ningún otro propósito distinto de los mencionados anteriormente.
  - El contenido de este manual puede sufrir cambios sin previo aviso debido a actualizaciones del producto. Algunas de las ilustraciones utilizadas pueden ser diferentes al propio producto para hacer más claras las explicaciones.
  - Consulte con su distribuidor si hay algo que no esté claro o sobre lo que tenga interés.
- Si no lo hace, podría producirse un accidente o una lesión grave.

#### **No modifique el producto**

- No debe modificar el producto.
- De hacerlo, podría provocar un accidente o una lesión grave. Cualquier error resultante de una modificación del producto no estará cubierto por la garantía del fabricante.

#### **No utilice el producto a no ser que haya sido comprobado y se le haya realizado el mantenimiento**

- No debe utilizar el producto a no ser que haya sido comprobado y se le haya realizado el mantenimiento. Asegúrese siempre de comprobar el producto y de realizar regularmente el mantenimiento.
- Si no lo hace, podría producirse un accidente o una lesión grave.

#### **Préstamo o asignación del producto**

- Cuando preste el producto a una tercera persona, asegúrese de que la persona que toma prestado el producto recibe con él el manual de instrucciones.
  - Si asigna el producto a una tercera persona, adjunte el manual de instrucciones con el producto cuando haga la entrega.
- Si no lo hace, podría producirse un accidente o una lesión grave.

#### **Usuarios del producto**

- El producto no podrá ser utilizado por:
    - ◆ personas que estén cansadas
    - ◆ personas que hayan consumido alcohol
    - ◆ personas que estén tomando medicación
    - ◆ mujeres embarazadas
    - ◆ personas que estén en una mala condición física
    - ◆ personas que no hayan leído el manual de instrucciones
    - ◆ niños
  - Evite ingerir o entrar en contacto directo con los químicos que utiliza. Lea en las etiquetas de los químicos que puede utilizar las advertencias y precauciones adicionales que deben tenerse en cuenta así como la información sobre el tratamiento de emergencia. Detenga el funcionamiento del producto inmediatamente si se siente mal o excesivamente fatigado durante el trabajo. Consulte con un médico si esta condición persiste.
  - Tenga presente que el operador o usuario es responsable de los accidentes o peligros ocasionados a terceras personas o a su propiedad.
- Si no sigue estas instrucciones podría provocar un accidente.
- El sistema de encendido de este producto genera campos electromagnéticos durante su funcionamiento. Los campos magnéticos pueden causar interferencias con los marcapasos o hacer que no funcionen correctamente. Para reducir los riesgos para la salud, recomendamos a los usuarios de marcapasos que consulten a su médico y al fabricante del marcapasos antes de utilizar este producto.



# Para una utilización segura del producto

## **ADVERTENCIA**

### Las vibraciones y el frío

- Se cree que puede contraerse una enfermedad llamada fenómeno de Raynaud, que afecta a los dedos de ciertos individuos, si está expuesto a vibraciones y frío. La exposición a las vibraciones y al frío puede causar el cosquilleo y quemazón de los dedos, seguidos de pérdida de color y sensación de dedos dormidos. Se recomiendan las siguientes precauciones, ya que se desconoce cuál es la exposición mínima que desencadena esta dolencia.
    - ◆ Mantenga el cuerpo caliente, especialmente la cabeza y el cuello, los pies y los tobillos y las manos y las muñecas.
    - ◆ Mantenga una buena circulación sanguínea realizando vigorosos ejercicios con los brazos durante frecuentes descansos y también no fumando.
    - ◆ Limite el número de horas de trabajo. Intente también hacer cada día trabajos en los que no sea necesario usar la sopladora de neblina u otros productos a motor sujetos con las manos.
    - ◆ Si experimenta molestias, rojez o hinchazón de los dedos, seguidos de una pérdida de sensación y emblanquecimiento de los mismos, consulte con su médico antes de volver a exponerse al frío y a las vibraciones.
- Si no tiene en cuenta estas instrucciones podría perjudicar su salud.

### Lesiones por esfuerzos repetitivos

- Se cree que un uso excesivo de los músculos y tendones de los dedos, manos, brazos y hombros puede causar dolores, hinchazones, adormecimiento, entumecimiento, debilidad y dolores extremos en los mismos. Ciertas actividades repetitivas de las manos pueden suponer un alto riesgo para el usuario de desarrollo de lesiones debidas a esfuerzos repetitivos (RSI). Para reducir el riesgo de lesiones por esfuerzos repetitivos (RSI):
    - ◆ Evite colocar la muñeca en posición doblada, extendida o torcida.
    - ◆ Tómese descansos periódicos para minimizar la repetición y deje descansar las manos. Reduzca la velocidad y fuerza con la que hace el movimiento repetitivo.
    - ◆ Haga ejercicios que fortalezcan los músculos de las manos y de los brazos.
    - ◆ Consulte a su médico si siente cosquilleos, adormecimiento o dolor en sus dedos, manos, muñecas o brazos. Cuanto antes se diagnostiquen estas lesiones (RSI), más probabilidades tendrá de prevenir daños permanentes en los nervios y músculos.
- Si no tiene en cuenta estas instrucciones podría perjudicar su salud.

### Formación adecuada

- No permita que nadie utilice este producto sin la formación adecuada y / o sin los productos de protección.
  - Familiarícese al máximo con los controles y el uso adecuado de esta máquina.
  - Aprenda a detener la máquina y a parar el motor.
  - Aprenda a desenganchar rápidamente la unidad conectada.
  - No permita bajo ningún motivo que nadie use este producto sin la debida formación.
- Si no tiene en cuenta estas instrucciones podría perjudicar su salud.

### Utilice indumentaria adecuada.

- No utilice corbatas, joyería o ropa floja o colgante que pueda quedar atrapada en la unidad.
  - No utilice calzado con la puntera abierta ni vaya descalzo o sin perneras.
  - Si lleva el pelo largo, recójase por encima de los hombros.
- Si no tiene en cuenta estas precauciones, podría derivar en daños en la visión o en la audición o dar lugar a una lesión grave.



### Póngase indumentaria protectora

- Póngase siempre la ropa de protección siguiente cuando trabaje con la sopladora.
    - ◆ Protección de cabeza (gorra): Protege la cabeza
    - ◆ Orejeras o tapones para los oídos: Protegen los oídos
    - ◆ Gafas de seguridad: Protegen los ojos
    - ◆ Mascarilla respiratoria para neblina tóxica oficialmente aprobada: Protege la respiración
    - ◆ Guantes de trabajo de caucho resistente antideslizante. Protege las manos contra los químicos
    - ◆ Ropa de trabajo resistente a los químicos. Protege el cuerpo
    - ◆ Zapatos con suela antirresbaladiza (y punteras): Protegen los pies
- Si no tiene en cuenta estas precauciones, podría derivar en daños en la visión o en la audición o dar lugar a una lesión grave.

# Para una utilización segura del producto

## **ADVERTENCIA**

### Condiciones de uso y de funcionamiento

○ No utilice el producto:

- ◆ en días ventosos o lluviosos para evitar la diseminación de químicos.
- ◆ sobre pendientes inclinadas o en lugares en los que no exista un apoyo firme para los pies y el terreno sea resbaladizo.
- ◆ de noche o en lugares oscuros con mala visibilidad.

Si se cae o se resbala podría sufrir una lesión grave, o bien no lograr que el producto funcione correctamente.

○ La indumentaria protectora pesada puede contribuir a un incremento de la fatiga del operario, que podría provocarle una hipertermia. Retrase el trabajo más duro hasta que descienda la temperatura.

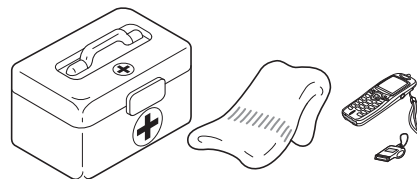
Si no tiene en cuenta estas instrucciones podría perjudicar su salud.

### Preparación en caso de sufrir una lesión

○ En el improbable caso de sufrir un accidente o lesión, asegúrese de que esté preparado.

- ◆ Kit de primeros auxilios
- ◆ Paños y toallas (para detener cualquier hemorragia)
- ◆ Silbato o teléfono móvil (para solicitar ayuda externa)

Si no es capaz de realizar los primeros auxilios o de pedir ayuda externa, la lesión podría empeorar.



### En caso de incendio o humo, anteponga la seguridad

○ Si el fuego proviene del motor o bien el humo aparece en otra zona distinta del tubo de escape, en primer lugar aléjese del producto para asegurar su integridad física.

○ Utilice una pala para arrojar arena u otro material similar sobre el fuego a fin de evitar su propagación o bien apáguelo utilizando un extintor de incendios.

Una reacción de pánico podría provocar que el fuego y los demás daños sean más importantes.



## Avisos de advertencia

### **PELIGRO**

Este símbolo acompañado por la palabra "**PELIGRO**" llama la atención sobre una acción o sobre unas condiciones que causarán heridas personales importantes o incluso la muerte al operario y a los transeúntes.

### **ADVERTENCIA**

Este símbolo acompañado por la palabra "**ADVERTENCIA**" llama la atención sobre una acción o sobre unas condiciones que pueden causar heridas personales importantes o incluso la muerte al operario y a los transeúntes.

### **PRECAUCIÓN**

"**PRECAUCIÓN**" indica una situación potencialmente peligrosa que, si no se evita, puede provocar heridas leves o moderadas.

## Otros indicadores



El círculo con barra oblicua prohíbe la acción o uso de los objetos mostrados.



### **NOTA**

Este mensaje enmarcado proporciona consejos para el uso, cuidado y mantenimiento del producto.

### **IMPORTANTE**

El texto enmarcado con la palabra "**IMPORTANTE**" contiene información importante relativa al uso, comprobación, mantenimiento y almacenamiento del producto descrito en este manual.

## Símbolos

Forma y silueta del símbolo	Descripción / aplicación del símbolo	Forma y silueta del símbolo	Descripción / aplicación del símbolo
	Lea atentamente el manual de instrucciones.		Mezcla de gasolina y aceite

# Para una utilización segura del producto

Forma y silueta del símbolo	Descripción / aplicación del símbolo	Forma y silueta del símbolo	Descripción / aplicación del símbolo
	Utilice siempre protección para los ojos, oídos y cabeza.		Control del estrangulador, posición de "Arranque en frío" (Estrangulador cerrado)
	Llevar calzado y guantes de protección.		Control del estrangulador, posición de "Funcionamiento" (Estrangulador abierto)
	Parada de emergencia		Amputación de dedo
	No utilice este producto en zonas con ventilación escasa		Tenga precaución con las zonas a alta temperatura
	Tenga cuidado no se incendie		Arranque del motor
	Tenga cuidado de no sufrir descargas eléctricas		

# Para una utilización segura del producto

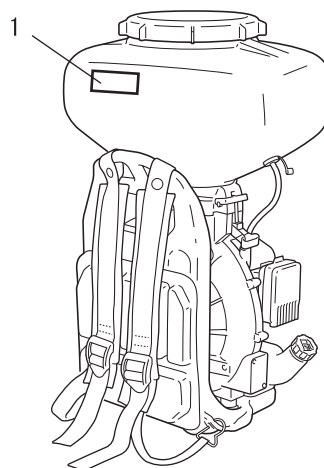
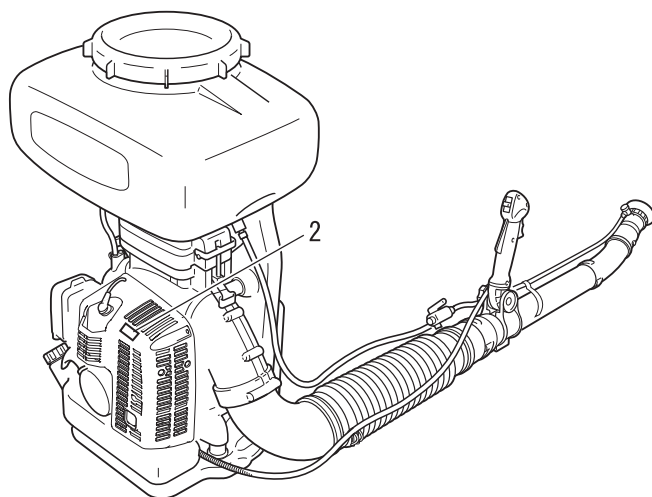
## Adhesivo(s) de seguridad

- Los productos descritos en este manual incorporan el adhesivo de seguridad mostrado a continuación. Asegúrese de comprender el significado del adhesivo antes de utilizar el producto.
- Si el adhesivo se ha deteriorado debido al desgaste, está dañado o se ha despegado y perdido, adquiera un adhesivo de reemplazo en su distribuidor y colóquelo en la ubicación mostrada en las ilustraciones que aparecen a continuación. Asegúrese de que el adhesivo sea siempre legible.

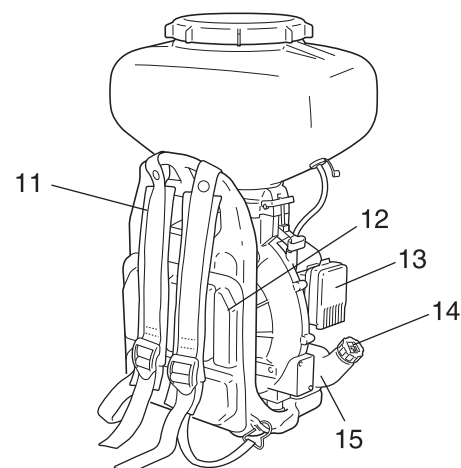
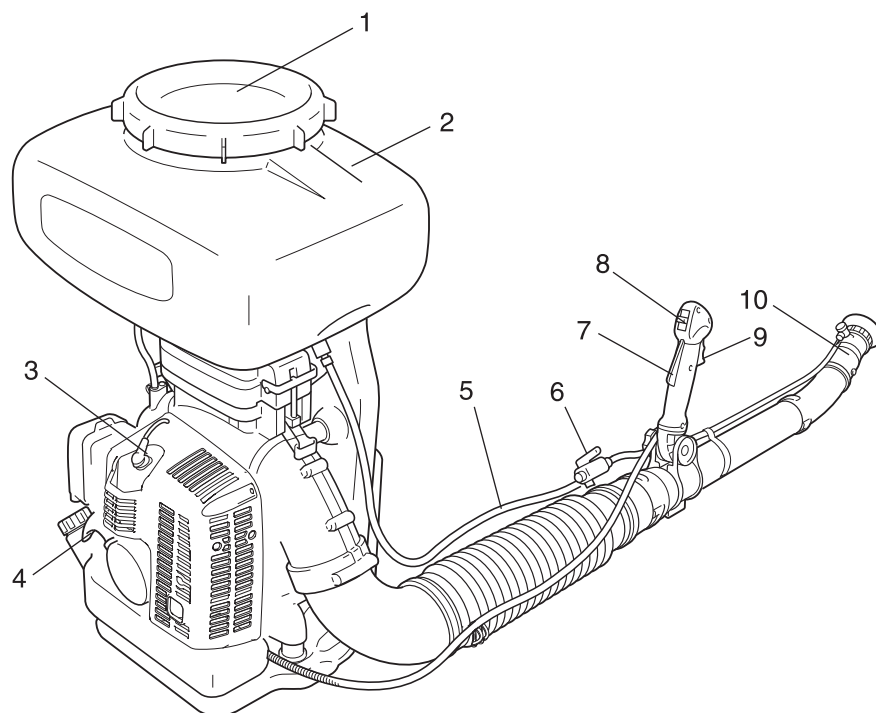
1. Adhesivo de seguridad (Número de pieza 890160-09461)



2. Adhesivo de seguridad (Número de pieza X505-002310)



# Descripción



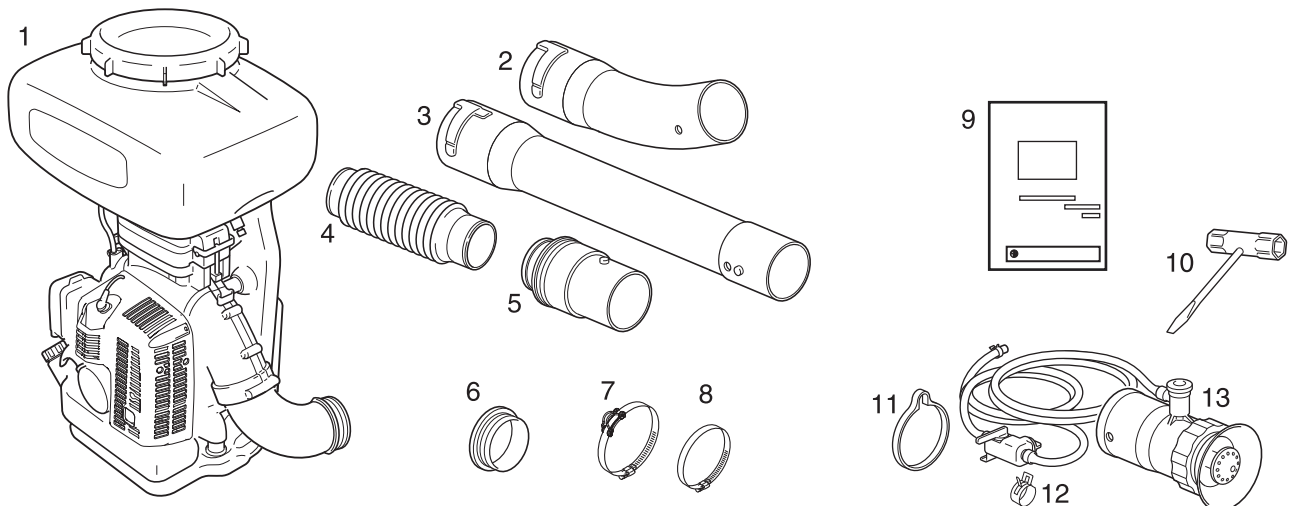
1. **Tapón del depósito de químicos**
2. **Depósito de químicos** Contiene producto químico.
3. **Bujía**
4. **Tirador del estarter** Tire de este tirador para arrancar el motor.
5. **Tubo de descarga**
6. **Válvula**
7. **Bloqueo del gatillo del acelerador** Bloquea el gatillo en la posición de ralentí, hasta que su mano derecha agarre bien el manillar.
8. **Interruptor de encendido** "Interruptor deslizable" montado en la parte superior de la caja del gatillo del acelerador. Deslicelo hacia adelante para ARRANCAR el motor y hacia atrás para PARARLO.
9. **Gatillo del acelerador** Se acciona con el dedo y sirve para controlar la velocidad del motor.
10. **Boquilla**
11. **Arnés** Tiras ajustables de las que se cuelga el producto.
12. **Placa posterior con cojín**
13. **Tapa del filtro de aire** Recubre y protege el filtro de aire.
14. **Tapón del depósito de combustible** Para cerrar el depósito de combustible.
15. **Depósito de combustible** Contiene el combustible y el filtro de combustible.



# Antes de comenzar

## Lista de piezas

- ♦ En la caja de embalaje están empaquetadas de forma separada las siguientes piezas.
- ♦ Cuando haya desempaquetado la caja, compruebe que contenga las siguientes piezas.
- ♦ Póngase en contacto con su distribuidor si falta alguna o está rota.

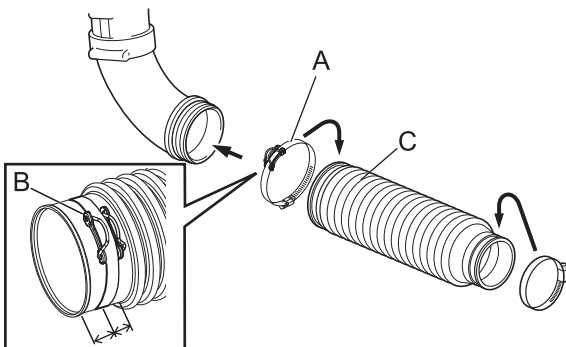


- |                                 |                            |
|---------------------------------|----------------------------|
| 1. Sopladora de neblina         | 8. Abrazadera              |
| 2. Tubo curvo                   | 9. Manual de instrucciones |
| 3. Tubo recto                   | 10. Llave tubular          |
| 4. Tubo flexible                | 11. Abrazadera de caucho   |
| 5. Tubo giratorio               | 12. Abrazadera             |
| 6. Empaquetadura                | 13. Boquilla               |
| 7. Abrazadera con bucle de guía |                            |

## Montaje

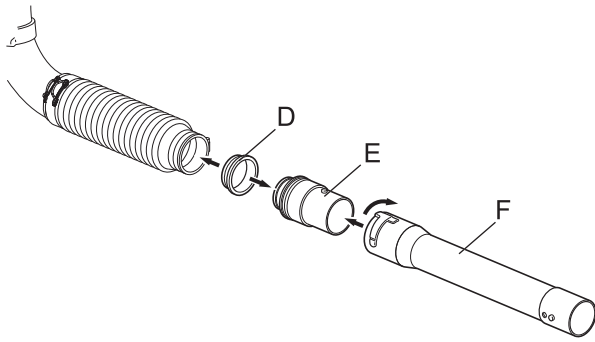
### **ADVERTENCIA**

- **Lea atentamente el manual de instrucciones para asegurarse de que monta correctamente el producto.**  
La utilización de un producto que se haya montado incorrectamente puede ocasionar un accidente o una lesión grave.

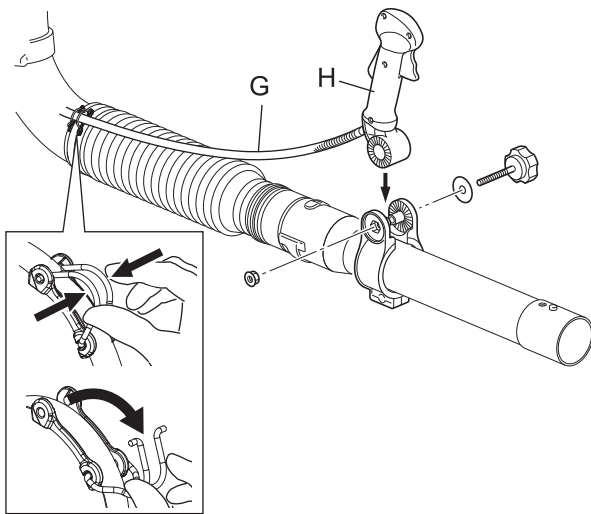


1. Monte la abrazadera con el bucle de guía (A) en el extremo de diámetro más grande del tubo flexible (C). Coloque la abrazadera con el lado de apertura (B) del clip orientado hacia arriba.
2. Monte la tubería flexible en el codo.
3. Coloque la abrazadera con el bucle a mitad de recorrido entre el extremo del tubo flexible y el fuelle. Coloque el bucle de guía en el exterior del tubo flexible en un ángulo inclinado de aproximadamente 45°, y apriete la abrazadera.

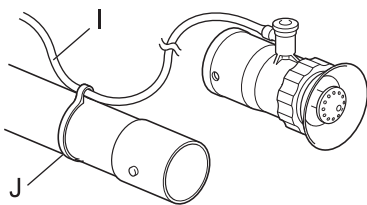
# Antes de comenzar



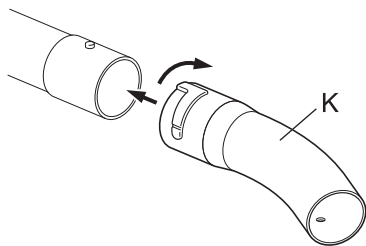
4. Instale la empaquetadura (D) en el tubo giratorio (E).
5. Monte el tubo giratorio en el tubo flexible.
6. Monte el tubo recto (F) en el tubo giratorio.



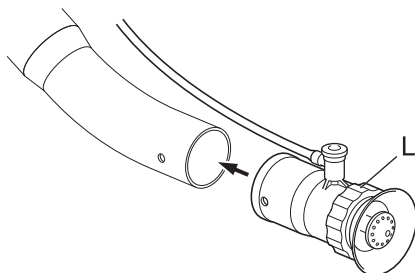
7. Enganche el cable del acelerador (G) en el bucle de guía del cable del acelerador.
8. Coloque la manija (H) en un lugar adecuado para un manejo cómodo y apriete la perilla.



9. Inserte el tubo de descarga (I) en la abrazadera de caucho (J).

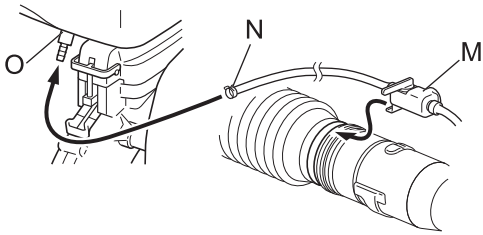


10. Monte el tubo curvo (K) sobre el tubo recto.



11. Monte el tubo de tobera (L) en el tubo labrado.

# Antes de comenzar



12. Monte la válvula (M) en la abrazadera y apriete ésta.
13. Inserte el tubo de descarga en el depósito de químicos (O).
14. Usando unos alicates como herramienta, fije el tubo con la abrazadera (N).

## Preparación del combustible

### ⚠ PELIGRO

- No reposte el combustible con el motor caliente o en funcionamiento.
- No fume ni sujete una llama cerca cuando esté realizando el repostaje.  
Si lo hace, el combustible podría incendiarse y provocar un fuego dando lugar a quemaduras.



### ⚠ ADVERTENCIA

- No llene los depósitos de combustible bajo techo. Llene siempre los depósitos de combustible en el exterior y sobre suelo descubierto. No reposte el producto sobre la plataforma de carga de un camión o en otro lugar similar.
- Los depósitos/latas de combustible pueden estar a presión. Afloje siempre los tapones del combustible lentamente para permitir que se iguale la presión.  
En caso contrario, el combustible podría salirse.
- Limpie cualquier resto de combustible que se desborde o que se derrame debido a un llenado excesivo.  
Las salpicaduras de combustible pueden provocar un incendio y quemarse cuando se inflamen.
- Una vez realizado el repostaje, compruebe siempre que no haya fugas o descargas de combustible en el conducto del combustible, en las arandelas aislantes del sistema de combustible o alrededor de la tapa del depósito de combustible. Si las hubiera, deje de utilizar inmediatamente el producto y póngase en contacto con su distribuidor para que lo repare.  
Cualquier fuga de combustible puede provocar un fuego.
- Mantenga el depósito de repostaje en un lugar oscuro alejado del fuego.
- Utilizar un depósito de combustible aprobado.

### IMPORTANTE

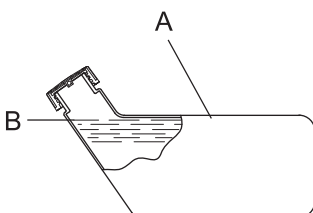
- El combustible es una mezcla de gasolina normal y aceite para motor de 2 tiempos refrigerado por aire y de marca reconocida. Se recomienda gasolina normal, sin plomo y mínimo de 89 octanos. No utilice combustible que contenga alcohol metílico o más de 10 % de alcohol etílico.
- El combustible almacenado envejece. No mezcle más combustible del que espera usar en treinta (30) días.

## Combustible



- ♦ Relación de mezcla recomendada: 50 : 1 (2 %) para ISO-L-EGD Standard (ISO/CD 13738), para aceite JASO FC, FD y ECHO Premium 50 : 1.
- ♦ No haga la mezcla directamente en el depósito de combustible del motor.

## Suministro de combustible



- ♦ No añada demasiado combustible a fin de que no alcance la boca del depósito de combustible (A). Mantenga el combustible dentro del nivel indicado (hasta el nivel [B] de la pared del depósito de combustible).
- ♦ Apriete firmemente la tapa de seguridad una vez finalizado el repostaje.

# Antes de comenzar

---

## Químicos

### **ADVERTENCIA**

- **Evite ingestión y contacto directo con los químicos. Ciertos químicos pueden causar lesiones intensas a humanos y animales.**  
El uso incorrecto de los químicos puede originar envenamiento grave o muerte.
- **El azufre es un material sumamente inflamable. Cuando se rocían materiales que contienen azufre, lea detenidamente las instrucciones adheridas a los químicos y trátelos con sumo cuidado.**

### **NOTA**

- No diluya los químicos directamente en el depósito.

- ♦ Al manipular los químicos observe las precauciones e instrucciones incluidas en su etiqueta.
- ♦ No permita nunca que personas sin capacitar o niños manipulen los químicos o el producto.
- ♦ Detenga el motor y deposite en el suelo la unidad cuando la llene de químicos.
- ♦ Asegúrese de cerrar la válvula antes de llenar los químicos.
- ♦ No llene demasiado líquido en el depósito y limpie el derrame inmediatamente.
- ♦ Sujete con seguridad el tapón del depósito de químicos para evitar derrames durante el funcionamiento.

# Funcionamiento del motor

## Arranque del motor

### ⚠ ADVERTENCIA

Tenga especial cuidado de seguir las siguientes precauciones cuando arranque el motor:

- Muévase por lo menos 3m del lugar en donde ha repostado.
- Coloque el producto en un lugar plano y bien ventilado.
- Compruebe que no haya fugas de combustible.
- Compruebe que ninguna tuerca ni perno estén flojos.
- Deje suficiente espacio alrededor del producto y no deje que se acerquen personas o animales.
- Tome precauciones para evitar que el cabello se le enrede en el ventilador.
- Arranque el motor con el gatillo del acelerador en la posición de velocidad de ralentí.
- Mantenga el producto firmemente en el suelo al arrancar el motor.

Si no tiene en cuenta estas precauciones podría sufrir un accidente o lesión o incluso dar lugar a un accidente mortal.

- Compruebe que no haya vibraciones ni sonidos anormales una vez arrancado el motor. No utilice el producto si hay vibraciones o sonidos anormales. Póngase en contacto con su distribuidor para que lo repare.

Los accidentes que causen la caída o rotura de las piezas pueden provocar heridas o lesiones graves.

- Los humos de escape del motor contienen gases tóxicos. No utilice el producto en interiores o en otros lugares mal ventilados.

Los humos de escape podrían provocar envenenamiento.



- No toque el silenciador, la bujía y demás componentes a alta temperatura mientras el producto está funcionando durante cierto tiempo después de detenerse.

Podría quemarse si toca un componente a elevada temperatura.



- No toque la bujía, el cable de la bujía y demás componentes de alto voltaje mientras el producto está funcionando.

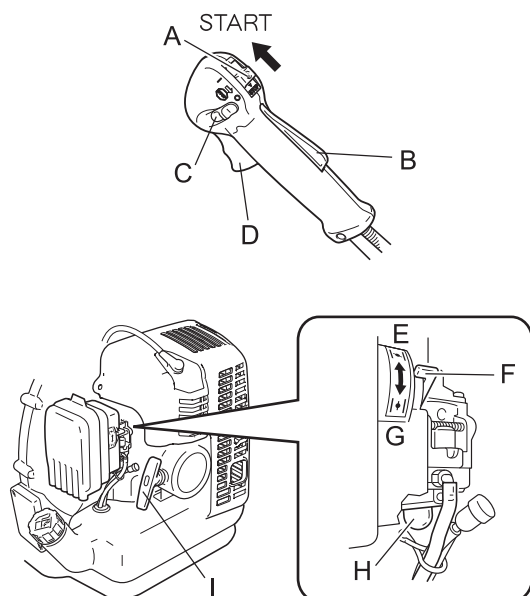
Podría recibir una descarga eléctrica si toca un componente de alta tensión mientras el producto esté en marcha.



### NOTA

- Tire suavemente en primer lugar del puño del arranque y, a continuación, más rápidamente. No tire hacia fuera de la cuerda del arranque a más de 2/3 de su longitud.
- No la deje llegar hasta el puño del arranque cuando vuelva.

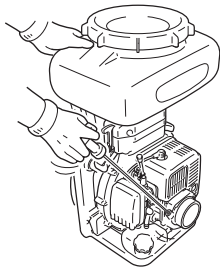
## Arranque de un motor frío



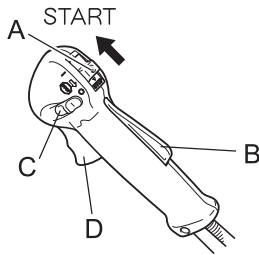
(Conecte el tapón de bujías en caso de que el producto haya estado guardado durante un largo periodo de tiempo.)

1. Colocación del producto sobre terreno nivelado.
2. Asegúrese de que la válvula esté cerrada.
3. Desplace el interruptor de encendido (A) a la posición de inicio.
4. Asegúrese de que el disparador del acelerador (D) está en posición de ralentí.
5. Mueva la palanca del estrangulador (F) a la posición de "Arranque en frío" (E).
6. Pulse y libere alternativamente el cebador (H) hasta que succione combustible.
7. Comprobando que el área que tiene alrededor sea segura, sujete el producto firmemente tal como se muestra en la ilustración y tire varias veces del puño del arranque (I).
8. Si escucha un sonido como de explosión y se detiene el motor de forma inmediata, mueva la palanca del estrangulador a la posición de "Trabajo" (G) y continúe tirando del puño del arranque para arrancar el motor.
9. Si el motor no se detiene, retorne la palanca del estrangula-

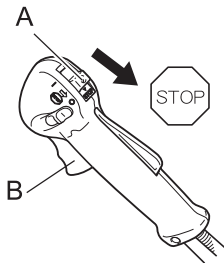
# Funcionamiento del motor



## Arranque de un motor caliente



## Parada del motor



- dor suavemente a la posición de "Trabajo".
- Deje calentar el motor durante unos instantes en la velocidad de ralentí.
- \* Cuando sea difícil arrancar el motor, utilice el bloqueo del acelerador (C). (Tire totalmente del gatillo del acelerador y baje el bloqueo del acelerador mientras presiona el bloqueo del gatillo del acelerador (B) y suelte el gatillo para activar el bloqueo del acelerador. Una vez arrancado el motor, tire ligeramente del gatillo del acelerador para liberar inmediatamente el bloqueo de acelerador.)

- Desplace el interruptor de encendido (A) a la posición de inicio.
- Asegúrese de que el disparador del acelerador (D) está en posición de ralentí.
- Compruebe que la palanca del estrangulador esté en la posición de "Trabajo".
- Si no puede verse combustible en el cebador, pulse y libere de forma alternativa el cebador hasta que éste succione el combustible.
- Comprubando que el área que tiene alrededor sea segura, mantenga la posición más cercana al motor firmemente y tire del puño del estarter para arrancar el motor.
- Comprubando que el área que tiene alrededor sea segura, sujete el producto firmemente y tire varias veces del puño del arranque (I).

- Desplace el gatillo del acelerador (B) a la posición de velocidad de ralentí y coloque el motor en ralentí (es decir, a baja velocidad).
  - Desplace el interruptor de encendido (A) a la posición de parada.
  - En caso de emergencia, pare el motor inmediatamente utilizando el interruptor de encendido.
  - Si el motor no se para, desplace la palanca del estrangulador a la posición de "Arranque en frío". El motor se calará y se detendrá (una parada de emergencia).
- \* Si no se detiene el motor cuando se utiliza el interruptor de encendido, haga que un distribuidor compruebe y repare el interruptor de encendido antes de volver a utilizar el producto.
- Desconecte siempre el cable de la bujía para asegurarse de que el motor no pueda arrancar mientras Ud. no necesite el producto o cuando lo deje solo.

# Manejo de la sopladora de neblina

## **⚠ ADVERTENCIA**

- Antes de comenzar a trabajar, compruebe la dirección del viento. Evite dirigir el chorro de aire en la dirección de puertas y ventanas abiertas, vehículos, animales domésticos, niños o cualquier cosa que pueda ser dañada por los productos químicos.
- Este producto ha sido diseñado para ser usado en posición vertical solamente, sin desnivelarlo o inclinarlo demasiado para evitar que se fuguen los químicos cuando se maneja o transporta.
- Este producto es capaz de alterar su equilibrio. Deberá adoptar precauciones adicionales para mantenerse en el suelo firme y equilibrado.
- Al colocarse el producto sobre la espalda, asegúrese de que los arneses no queden enmarañados con las palancas de control.

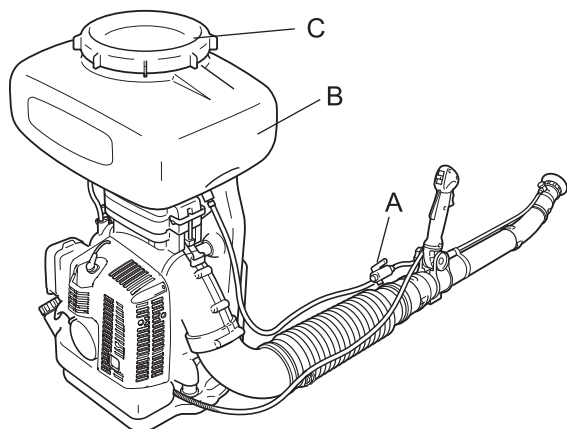
### **Transporte del producto**

- Cuando transporte el producto en las condiciones descritas abajo, apague el motor y retire el silenciador de usted.
  - ◆ Traslado a otro lugar cuando esté trabajando.
  - ◆ Traslado a otra zona mientras está trabajando.
  - ◆ Abandono del lugar en el que ha estado trabajando.
- Si no cumple estas precauciones podría sufrir quemaduras o una lesión grave.
- Cuando transporte el producto en coche, vacíe el depósito de combustible y asegure firmemente el producto en su lugar para evitar que se mueva.  
Los viajes en coche con combustible en el depósito podrían provocar un incendio.

## **IMPORTANTE**

- El soplado de neblina se debe efectuar del lado protegido del viento. Procure hacerlo por la mañana o al atardecer cuando no hay tanto viento y la temperatura del suelo retrocede, a fin de minimizar la dispersión de pérdidas y mejorar el efecto de adhesión del químico y con menos exposición al peligro.
- Antes de poner la unidad en funcionamiento, compruebe y siga las normativas locales relativas al nivel de ruido y las horas de utilización.
- Evite usar la unidad en momentos en los cuales se puede molestar a la gente, tales como a altas horas de la noche o por la mañana temprano.
- Utilice la unidad a la mínima aceleración necesaria para realizar el trabajo.
- Asegúrese de que el silenciador funciona correctamente. Compruebe también las tomas de aire y el filtro para asegurar que la unidad funcione correctamente.
- Utilice sólo una pieza del producto cada vez.

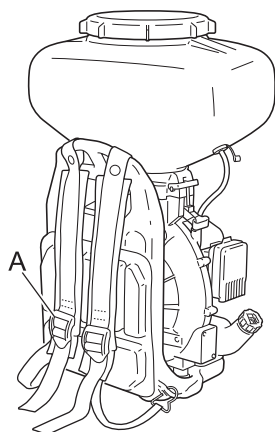
### **Llenado del depósito de químicos**



- ◆ Cierre la válvula (A).
- ◆ Llene el químico líquido a través del filtro situado en el depósito (B). Agite bien después de llenar para evitar que se depositen residuos de químicos en el fondo del depósito.
- ◆ Apriete bien el tapón (C) del depósito para evitar que se reduzca la presión del aire. Si la presión de aire se reduce, el rociado será defectuoso.

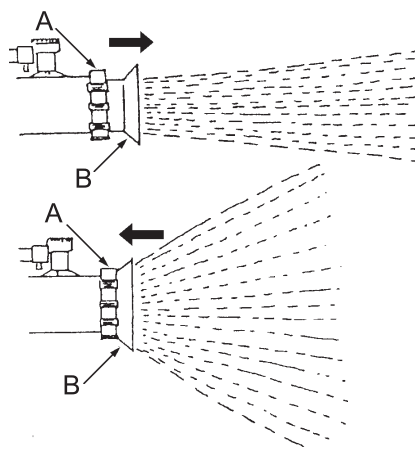
# Manejo de la sopladora de neblina

## Uso del arnés



- ♦ Ajuste la longitud del arnés usando la hebilla (A) de modo que pueda manejar el producto cómodamente.

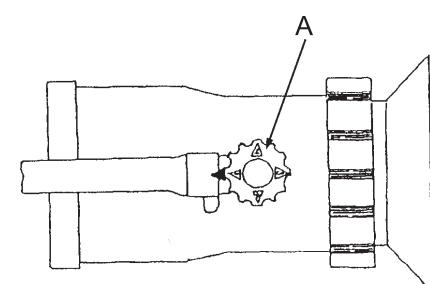
## Ajuste el patrón de rociado.



El patrón de rociado se puede ajustar de un flujo recto a un rociado abierto regulando la posición del collar.

- ♦ Afloje la tuerca (A) del collar (B) y tire de éste hacia adelante para un rociado recto.
- ♦ Empuje el collar hacia atrás para un rociado abierto.

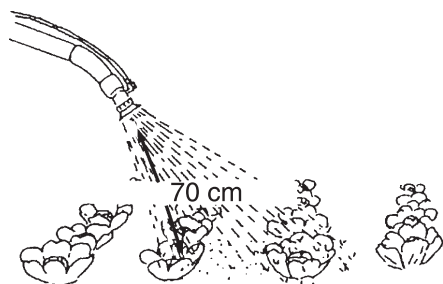
## Ajuste del volumen de rociado



El volumen de rociado se puede ajustar alineando el número (A) con la marca tal como se muestra. El volumen de rociado se prescribe como sigue:

Fijando el número	1	2	3	4
Volumen de descarga (L /min)	1,8	2,4	3,4	4,4

(Orientación de la tubería: horizontal)



## NOTA

- Mantenga la tobera a 70 cm de distancia alejado de las plantas para evitar daños.
- Lleve a cabo la tarea antes de que el químico diluido se sedimente en el fondo del depósito.



# Mantenimiento y cuidados

## **⚠ ADVERTENCIA**

Quando compruebe o realice el mantenimiento del producto después del uso, tenga en cuenta las siguientes precauciones:

- **Apague el motor y no intente realizar ninguna comprobación ni mantenimiento del producto hasta que el motor se haya enfriado.**  
Podría quemarse.
- **Retire el tapón de la bujía antes de realizar comprobaciones y operaciones de mantenimiento.**  
Podría producirse un accidente si el producto se arranca inesperadamente.

## **IMPORTANTE**

- Las comprobaciones y el mantenimiento requieren un conocimiento especializado. Si no puede comprobar y realizar el mantenimiento del producto o dar con un problema usted sólo, consulte con su distribuidor. No intente desmontar el producto.

### **Directrices para el servicio**

Área	Mantenimiento	Página	Antes de usar	Mensual
Filtro de aire	Limpiar / sustituir	17	•	
Filtro de combustible	Inspeccionar / limpiar / sustituir	18	•	
Bujía	Inspeccionar / limpiar / ajustar / sustituir	19		•
Carburador	Inspeccionar / sustituir y ajustar	-		•
Sistema de enfriamiento	Inspeccionar / limpiar	18	•	
Silenciador	Inspeccionar/apretar	-	•	
Silenciador	Limpiar	18		•*
Estárter	Inspeccionar	-	•	
Sistema de combustible	Inspeccionar	19	•	
Tornillos, pernos y tuercas	Inspeccionar, apretar / sustituir	-	•	

\* O 100 horas, lo que primero tenga lugar.

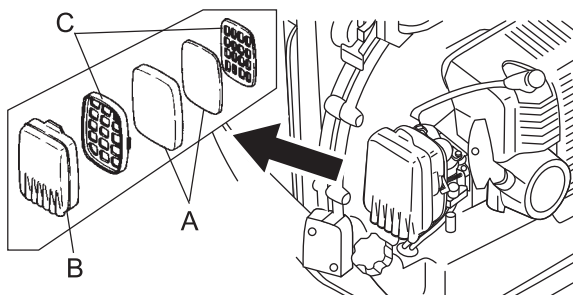
## **IMPORTANTE**

- Los intervalos de tiempo son los máximos. El uso real y su experiencia determinarán la frecuencia del mantenimiento necesario.

### **Mantenimiento y cuidados**

Si tiene cualquier pregunta o problema, póngase en contacto con su distribuidor.

#### **Limpeza del filtro de aire**



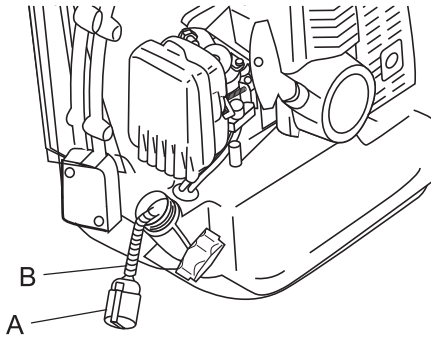
## **NOTA**

- Limpie el filtro (A) de aire cada vez que lo utilice.

1. Cierre el estrangulador, extraiga la tapa (B) del purificador de aire, las rejillas (C) y los filtros de aire. Seguidamente compruebe y / o limpie los filtros de aire lavándolos en un disolvente adecuado si están sumamente sucios.
2. Seque los filtros antes de reinstalarlos.

# Mantenimiento y cuidados

## Sustitución del filtro de combustible



### NOTA

- Un filtro de combustible atascado dificultará el arranque y reducirá el rendimiento del motor.
- Mantenga limpio el depósito de combustible: no permita que la suciedad o los escombros se introduzcan en el depósito.

1. Use un trozo de cable de acero o similar para recoger el filtro de combustible (A) a través de la apertura del depósito de combustible.
2. Tire del viejo filtro y sáquelo del tubo de combustible (B).
3. Instale el nuevo filtro de combustible.
4. Asegúrese de que el filtro del combustible desciende al fondo del depósito.

## Mantenimiento del sistema de enfriamiento

### ⚠ ADVERTENCIA

- No coloque la mano entre el motor y el armazón de la mochila mientras el motor esté en marcha. Asegúrese de que el motor esté totalmente parado antes de introducir las manos para retirar los escombros. Utilice un utensilio adecuado para retirar los escombros si dispone de alguno.

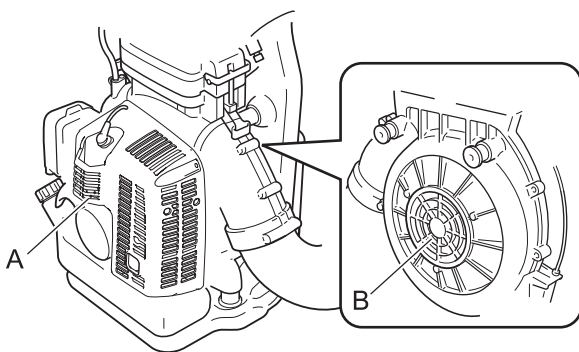
Si no tiene en cuenta estas precauciones podría sufrir un accidente o lesión o incluso dar lugar a un accidente mortal.

### IMPORTANTE

- Para mantener la temperatura adecuada de funcionamiento del motor, el aire de enfriamiento debe pasar libremente a través del área de aletas del cilindro. Este flujo de aire disipa el calor de combustión del motor. Puede tener lugar un sobrecalentamiento y agarrotamiento del motor cuando:

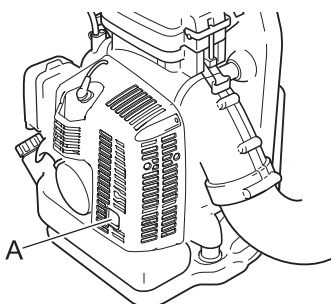
- ♦ Las entradas de aire estén bloqueadas, impidiendo que el aire de enfriamiento alcance el cilindro,
- ♦ Se hayan acumulado polvo y hierbas en el lado exterior del cilindro. Esta acumulación aísla el motor e impide que se disipe el calor.

La extracción de depósitos que bloquean el paso del aire o la limpieza de las aletas se considera parte del "mantenimiento normal". Cualquier fallo resultante atribuible a la falta de mantenimiento no entra en garantía.



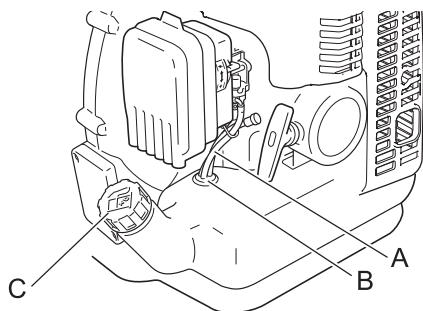
- ♦ Elimine el polvo y suciedad que haya entre las aletas (A).
- ♦ Elimine toda la suciedad, hojas y demás escombros de la rejilla de la carcasa. Debe tenerse cuidado de no dejar que entren a la carcasa materias extrañas a través de la rejilla (B). Con toda seguridad causarán daños al ventilador y la carcasa.

## Limpieza del silenciador



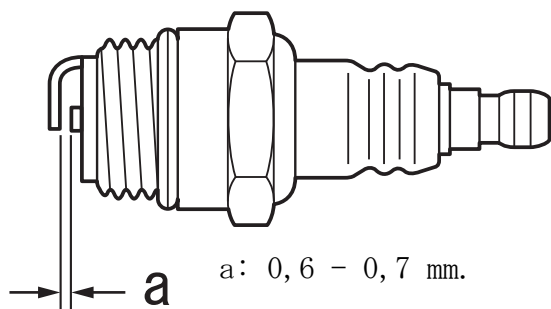
- ♦ Limpie el silenciador retirando los depósitos de carbón en el orificio (A) de salida. Esto debe hacerse periódicamente para mantener un rendimiento constante del motor.

## Comprobación del sistema de combustible



- ♦ Compruébelo después de cada uso.
- ♦ Una vez repostado, asegúrese de que no haya fugas ni transpiraciones alrededor del tubo de combustible (A), de la arañuela aislante del combustible (B) ni del tapón del depósito de combustible (C).
- ♦ En caso de fugas o transpiraciones de combustible, existe peligro de incendio. Deje de utilizar la máquina inmediatamente y solicite al distribuidor que lo inspeccione o sustituya.

## Comprobación de la bujía



1. Compruebe la distancia entre electrodos de la bujía. La distancia correcta está entre 0,6 mm y 0,7 mm.
  2. Compruebe la bujía por si tuviera los electrodos gastados.
  3. Inspeccione el aislante por si tuviera aceite u otros depósitos.
  4. Si los electrodos o terminales están desgastados o si hay roturas en los elementos cerámicos, sustitúyalos por otros nuevos.
  5. Apriete a 15 N·m - 17 N·m (150 kgf·cm a 170 kgf·cm).
- \* La prueba de chispas (para comprobar si la bujía está emitiendo chispas) debe ser realizada por su distribuidor.

# Mantenimiento y cuidados

**Tabla de localización de averías**

<b>IMPORTANTE</b>			
<p>○ Para piezas de repuesto y consumibles, utilice sólo piezas auténticas y productos y componentes indicados. La utilización de piezas de otros fabricantes o de componentes no indicados pueden derivar en un fallo de funcionamiento.</p>			
<b>Problema</b>	<b>Diagnóstico</b>	<b>Causa</b>	<b>Remedio</b>
El motor no arranca		<ol style="list-style-type: none"> <li>1. No hay combustible en el depósito de combustible</li> <li>2. El interruptor de paro está en la posición PARO</li> <li>3. Succión excesiva de combustible</li> <li>4. Fallo eléctrico</li> <li>5. Error del carburador o agarrotamiento interno</li> <li>6. Error interno del motor</li> </ol>	<ol style="list-style-type: none"> <li>1. Suministro de combustible</li> <li>2. Mueva a la posición de arranque</li> <li>3. Arranque el motor después de la asistencia técnica</li> <li>4. Consulte con su distribuidor</li> <li>5. Consulte con su distribuidor</li> <li>6. Consulte con su distribuidor</li> </ol>
Es difícil arrancar el motor, rotación fluctuante	Está entrando combustible en el tubo de drenaje	<ol style="list-style-type: none"> <li>1. Degradación del combustible</li> <li>2. Problema en el carburador</li> </ol>	<ol style="list-style-type: none"> <li>1. Sustitúyalo por combustible nuevo</li> <li>2. Consulte con su distribuidor</li> </ol>
	No está entrando combustible en el tubo de drenaje	<ol style="list-style-type: none"> <li>1. El filtro de combustible está obstruido</li> <li>2. El sistema de alimentación de combustible está obstruido</li> <li>3. Hay piezas internas del carburador adheridas</li> </ol>	<ol style="list-style-type: none"> <li>1. Limpiar o sustituir</li> <li>2. Consulte con su distribuidor</li> <li>3. Consulte con su distribuidor</li> </ol>
	La bujía está sucia o húmeda	<ol style="list-style-type: none"> <li>1. Degradación del combustible</li> <li>2. Separación de electrodos incorrecta</li> <li>3. Depósitos de carbón</li> <li>4. Fallo eléctrico</li> </ol>	<ol style="list-style-type: none"> <li>1. Sustituir</li> <li>2. Sustituir</li> <li>3. Sustituir</li> <li>4. Consulte con su distribuidor</li> </ol>
El motor arranca pero no es posible acelerar		<ol style="list-style-type: none"> <li>1. Filtro de aire sucio</li> <li>2. Filtro de combustible sucio</li> <li>3. Paso de combustible bloqueado</li> <li>4. Problema de ajuste del carburador</li> <li>5. Respiradero de escape o del silenciador bloqueados</li> </ol>	<ol style="list-style-type: none"> <li>1. Limpiar o sustituir</li> <li>2. Limpiar o sustituir</li> <li>3. Consulte con su distribuidor</li> <li>4. Ajustar</li> <li>5. Limpiar</li> </ol>
El motor se para		<ol style="list-style-type: none"> <li>1. Problema de ajuste del carburador</li> <li>2. Fallo eléctrico</li> </ol>	<ol style="list-style-type: none"> <li>1. Ajustar</li> <li>2. Consulte con su distribuidor</li> </ol>
El motor no se para		<ol style="list-style-type: none"> <li>1. Fallo del interruptor de paro</li> </ol>	<ol style="list-style-type: none"> <li>1. Realice una parada de emergencia y consulte a su distribuidor</li> </ol>
No descarga neblina o descarga neblina inadecuada		<ol style="list-style-type: none"> <li>1. Válvula cerrada (o parcialmente cerrada)</li> <li>2. Válvula atascada</li> <li>3. Tubo de descarga atascado</li> <li>4. Boquilla atascada</li> <li>5. Tapón del depósito de químicos aflojado</li> </ol>	<ol style="list-style-type: none"> <li>1. Abrir</li> <li>2. Limpiar</li> <li>3. Limpiar</li> <li>4. Limpiar</li> <li>5. Apretar</li> </ol>

- ♦ Consulte con su distribuidor si se encuentra con un problema que no esté cubierto en la tabla anterior o para cualquier otra consulta.
- ♦ Para desechar el producto o sus piezas de acuerdo las normativas locales, póngase en contacto con su distribuidor.

# Mantenimiento y cuidados

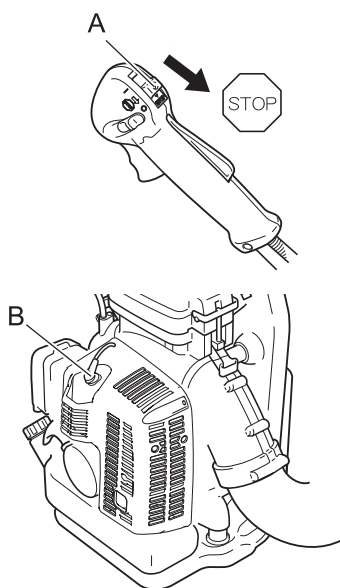
## Almacenamiento durante un largo periodo (30 días o más)

### ADVERTENCIA

○ No almacene el producto en ubicaciones cerradas lleno de combustible o cerca llamas chispas.  
Podría provocar un incendio.



Cuando almacene el producto durante largos periodos de tiempo (30 días o más), asegúrese de que se realicen los siguientes preparativos para el almacenamiento.



1. Vacíe o elimine el químico remanente en el depósito. Limpie el interior del depósito de químicos y el tubo de descarga.
2. Vacíe cualquier resto de combustible del depósito de combustible.
3. Pulse y suelte alternativamente el cebador varias veces para extraer el combustible del mismo.
4. Arranque el motor y déjelo funcionar a velocidad de ralentí hasta que se detenga de forma natural.
5. Desplace el interruptor de encendido (A) a la posición de parada.
6. Una vez que el producto esté suficientemente frío, elimine las acumulaciones de grasa, aceite, polvo, suciedad y otros materiales que pueda haber en el exterior del producto.
7. Realice las comprobaciones periódicas descritas en esta manual.
8. Compruebe que los tornillos y tuercas estén apretados. Apriete cualquiera que esté flojo.
9. Saque la bujía y añada la cantidad adecuada de aceite (aproximadamente 10 mL) limpio y nuevo para motor de dos tiempos en el cilindro a través del zócalo de instalación.
10. Coloque un trapo limpio sobre el zócalo de instalación de la bujía.
11. Tire dos o tres veces del puño del arranque para distribuir el aceite dentro del motor.
12. Observe la posición del pistón a través del orificio de la bujía. Tire lentamente del dispositivo de arranque por retroceso hasta que el pistón alcance la parte superior de su recorrido y déjelo allí.
13. Instale la bujía. (No conecte el tapón de la bujía (B).)
14. Guardar la unidad en un lugar seco, libre de polvo y fuera del alcance de los niños.

# Características técnicas

<b>MB-580</b>		
<b>Masa:</b> (sin los tubos, depósito vacío)	kg	11,1
<b>Capacidad:</b> Depósito de combustible (lleno)	L	1,85
<b>Dimensiones externas:</b> Longitud × Anchura × Altura (sin tubos)	mm	332 × 477 × 740
<b>Motor:</b> Tipo Cilindrada Potencia máxima Velocidad del motor a la máxima potencia del motor  Carburador Encendido Bujía Estárter	mL (cm <sup>3</sup> ) kW r/min	Monocilíndrico de 2 tiempos refrigerado por aire  58,2 2,50 8350  Tipo de diafragma Imán del volante de inercia - Sistema CDI NGK BPM7Y Estárter por retroceso
<b>Combustible:</b>  Aceite  Proporción Consumo de combustible a máxima potencia del motor Consumo de combustible específico a máxima potencia del motor	L/h g/(kW•h)	Gasolina de grado normal. No utilice combustible con alcohol métilico, más de 10% de alcohol etílico o 15% de MTBE. No utilice combustible que contenga metanol. No utilice combustibles alternativos como E-20 o E-85. Aceite para motor de 2 tiempos refrigerado por aire. Aceite ISO-L-EGD Standard (ISO/CD 13738), JASO FC, FD y ECHO Premium 50 : 1. 50 : 1 (2%)  1,8 526
Pulverizador		Tipo centrífugo
Capacidad del depósito de químicos	L	23
<b>Nebulizado:</b> sistema de alimentación de líquido sistema de ajuste del nebulizado  máxima descarga de neblina	L/min.	Sistema de aire comprimido Control de válvula de tobera  4,4

Estas características técnicas están sujetas a cambios sin previo aviso.

# MEMORANDO

# YAMABIKO CORPORATION

7-2 SUEHIROCHO 1-CHOME, OHME, TOKIO 198-8760, JAPÓN  
TELÉFONO: 81-428-32-6118. FAX: 81-428-32-6145.



X750106-8300





PORTUGUÊS  
BR (Instruções originais)

# MANUAL DO OPERADOR PULVERIZADOR MB-580

## ATENÇÃO



**LEIA AS INSTRUÇÕES CUIDADOSAMENTE E SIGA AS REGRAS  
PARA OPERAÇÃO SEGURA.  
O NÃO CUMPRIMENTO PODE RESULTAR EM LESÕES GRAVES.**

# Índice

---

Para uso seguro do seu produto .....	3
Descrição .....	7
Antes de você começar .....	8
Conteúdo da embalagem .....	8
Montagem .....	8
Preparando o combustível .....	10
Produtos químicos .....	11
Operação do motor .....	12
Dando partida no motor .....	12
Desligando o motor .....	13
Operando o atomizador .....	14
Enchendo o tanque químico .....	14
Usando cinta de ombro .....	15
Ajustando o padrão da pulverização .....	15
Ajustando o volume da pulverização .....	15
Manutenção e cuidados .....	16
Diretrizes de manutenção .....	16
Manutenção e cuidados .....	16
Tabela de solução de problemas .....	19
Armazenamento de longo prazo (30 dias ou mais) .....	20
Especificações .....	21

# Para uso seguro do seu produto

## Informações importantes

### ATENÇÃO

**Certifique-se de ler o manual do operador antes de utilizar seu produto.**

#### **Sobre seu manual do operador**

- Este manual contém informações necessárias sobre a montagem, operação e manutenção do seu produto. Leia-o cuidadosamente e entenda seu conteúdo.
- Sempre mantenha seu manual em um lugar de fácil acesso.
- Se você tiver perdido ou danificado seu manual ou se ele não estiver mais legível, adquira um novo através do seu distribuidor.
- As unidades utilizadas neste manual são unidades SI (Sistema Internacional de Unidades). Os números entre parênteses são valores de referência e pode haver uma pequena diferença na conversão em alguns casos.
  - não cumprimento dessa instrução pode levar a um acidente ou lesões graves.

#### **Finalidade de uso deste produto**

- Este produto é leve e de alto desempenho, unidades movidas à gasolina projetadas para pulverizar produtos químicos líquidos.
- Não utilize esta unidade para qualquer finalidade diferente da mencionada acima.
- O conteúdo deste manual pode ser alterado sem prévio aviso para a finalidade de atualização do produto. Algumas das ilustrações usadas podem ser diferentes do próprio produto para tornar as explicações mais claras.
- Consulte seu distribuidor se algo não estiver claro ou em caso de dúvidas.
  - não cumprimento dessa instrução pode levar a um acidente ou lesões graves.

#### **Não modifique o produto**

- **Você não deve modificar o produto.**
  - Se o fizer poderá acarretar um acidente ou lesões graves. Qualquer defeito resultante de uma modificação no produto não será coberto pela garantia do fabricante.

#### **Não utilize o produto a não ser que ele tenha sido examinado e recebido manutenção**

- **Você não deve utilizar o produto a não ser que ele tenha sido examinado e recebido manutenção. Certifique-se sempre de que o produto seja examinado e receba manutenção regularmente.**
  - não cumprimento dessa instrução pode levar a um acidente ou lesões graves.

#### **Emprestando ou entregando seu produto**

- Ao emprestar seu produto a um terceiro, certifique-se de que a pessoa que recebe o produto também receba o manual do operador.
- Se você entregar seu produto a um terceiro, inclua o manual do operador com o produto ao entregá-lo.
  - não cumprimento dessa instrução pode levar a um acidente ou lesões graves.

#### **Usuários do produto**

- O produto não deve ser utilizado por:
  - ◆ pessoas que estejam cansadas
  - ◆ pessoas que tenham ingerido álcool
  - ◆ pessoas que estejam sob medicação
  - ◆ grávidas
  - ◆ pessoas que tenham pouca condição física
  - ◆ pessoas que não tenham lido o manual do operador
  - ◆ crianças
- Evite o contato direto ou ingestão dos produtos químicos que você usa. Consulte o rótulo dos produtos químicos, use para alertas ou precauções adicionais, bem como tratamento de emergência. Pare de operar a unidade imediatamente se você se sentir mal ou excessivamente cansado durante a operação. Procure um médico se a condição persistir.
- Lembre-se de que o operador ou usuário é responsável por acidentes ou perigos que ocorram com outras pessoas ou suas propriedades.
  - Não observar estas instruções pode levar a um acidente.
- O sistema de ignição deste produto gera campos eletromagnéticos durante a operação. Campos magnéticos podem causar interferência ou mau funcionamento em marcapassos. Para reduzir os riscos à saúde, recomendamos que usuários de marcapasso consultem seu médico e o fabricante do marcapasso antes de operar este produto.



# Para uso seguro do seu produto

## ATENÇÃO

### Vibração e frio

- Acredita-se que uma condição chamada Fenômeno de Raynaud, que afeta os dedos de certos indivíduos, pode surgir com a exposição a vibração e ao frio. A exposição à vibração e ao frio pode causar formigamento e ardência seguido de perda de cor e entorpecimento dos dedos. As seguintes precauções são altamente recomendadas porque a exposição mínima que pode causar esse incômodo é desconhecida.
  - ◆ Mantenha seu corpo aquecido, especialmente a cabeça e o pescoço, pés e tornozelos e também mãos e pulsos.
  - ◆ Mantenha uma boa circulação sanguínea realizando vigorosos exercícios com os braços durante frequentes intervalos no trabalho e também não fumando.
  - ◆ Limite o número de horas de operação. Tente preencher cada dia com trabalhos em que a operação com o vaporizador ou outro equipamento elétrico manual não seja necessária.
  - ◆ Se você experimentar desconforto, vermelhidão ou inchaço dos dedos, seguido por branqueamento e perda de sensação, consulte seu médico antes de se expor a mais frio e vibração.

Não observar estas instruções pode resultar em danos à sua saúde.

### Lesões por esforço repetitivo

- Acredita-se que o uso excessivo dos músculos e tendões dos dedos, mãos, braços e ombros podem causar dor, inchaço, dormência, fraqueza e dor extrema nas áreas acima mencionadas. Certas atividades manuais repetitivas podem colocá-lo em alto risco de desenvolver uma Lesão por Esforço Repetitivo (LER). Para reduzir o risco de LER, faça o seguinte:
  - ◆ Evite usar seu pulso dobrado, estendido ou em uma posição torcida.
  - ◆ Faça intervalos periódicos para minimizar a repetição e descanse as mãos. Reduza a velocidade e a força com a qual realiza o movimento repetitivo.
  - ◆ Faça exercícios para reforçar os músculos das mãos e braços.
  - ◆ Procure um médico se você sentir formigamento, dormência ou dor nos dedos, mãos, pulsos ou braços. Quanto mais rápido a LER é diagnosticada mais provavelmente você evitará danos permanentes aos nervos e músculos.

Não observar estas instruções pode resultar em danos à sua saúde.

### Treinamento adequado

- Não permita a operação sem o treinamento adequado e equipamento de proteção.
- Esteja completamente familiarizado com os controles e uso adequado da unidade.
- Saiba como parar a unidade e desligar o motor.
- Saiba como desengatar rapidamente uma unidade armada.
- Nunca permita que alguém use a unidade sem o conhecimento adequado.

Não observar estas instruções pode resultar em danos à sua saúde.

### Vista roupas adequadas.

- Não use laços, joias ou roupas folgadas ou pendentes que possam ficar presas à unidade.
- Não calce sapatos abertos, ou trabalhe descalço ou com as pernas descobertas.
- Prenda o cabelo de modo que fique acima dos ombros.

Não observar estas precauções pode resultar em danos à sua visão ou audição, ou levar a lesões graves.



### Use equipamento de proteção

- Sempre utilize o equipamento de proteção a seguir ao trabalhar com a unidade.
  - ◆ Proteção de cabeça (capacete): Protege a cabeça
  - ◆ Protetores ou tampões de ouvido: Protegem a audição
  - ◆ Óculos de segurança: Protegem os olhos
  - ◆ Respirador oficialmente aprovado para névoa tóxica: Protege a respiração
  - ◆ Luvas de trabalho antiderrapante de borracha grossa: Protegem as mãos contra produtos químicos
  - ◆ Roupas de trabalho resistentes a produtos químicos: Protegem o corpo
  - ◆ Sapatos com solado antiderrapante (com biqueiras): Protegem os pés

Não observar estas precauções pode resultar em danos à sua visão ou audição, ou levar a lesões graves.

### Ambiente de uso e operação

- Não utilize o produto:
  - ◆ em um dia com vento ou chuva para evitar o deslocamento do produto químico.
  - ◆ em inclinações acentuadas ou em lugares que não ofereçam apoio seguro para os pés e sejam escorregadios.
  - ◆ à noite ou em lugares escuros com pouca visibilidade.

Pode ocorrer uma lesão séria em caso de queda, escorregão ou falha em operar o produto corretamente.

- Roupas pesadas de proteção podem aumentar a fadiga do operador, o que pode levar a insolação. Interrompa o trabalho pesado até que a temperatura caia.

Não observar estas instruções pode resultar em danos à sua saúde.

# Para uso seguro do seu produto

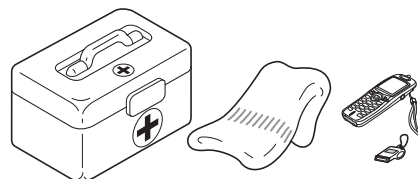
## ATENÇÃO

### Esteja preparado em caso de acidentes

○ No improvável evento de um acidente ou lesão, certifique-se de estar preparado.

- ◆ Kit de primeiros socorros
- ◆ Toalhas e lenços (para interromper qualquer sangramento)
- ◆ Apito ou telefone celular (para solicitar ajuda externa)

Se você não puder realizar os primeiros socorros ou solicitar ajuda externa, a lesão pode piorar.



### Coloque a segurança em primeiro lugar em caso de fogo ou fumaça

- Se o fogo vier do motor ou se aparecer fumaça de qualquer área além da abertura de exaustão, primeiro se distancie do produto para garantir sua segurança física.
- Use uma pá para jogar areia ou outro material no fogo para evitar que ele se espalhe, ou apague com um extintor de incêndio.

Uma reação de pânico pode fazer com que o fogo ou outro dano se torne mais extenso.



## Avisos de advertência

### PERIGO

Este símbolo acompanhado pela palavra "**PERIGO**" chama atenção para um ato ou condição que irá levar a sérias lesões pessoais ou morte de operadores e transeuntes.

### ATENÇÃO

Este símbolo acompanhado pela palavra "**ATENÇÃO**" chama atenção para um ato ou condição que pode levar a sérias lesões pessoais ou morte de operadores e transeuntes.

### CUIDADO

"**CUIDADO**" indica uma situação potencialmente perigosa que, se não for evitada, pode resultar em lesão leve ou moderada.

## Outros indicadores



O símbolo do círculo cortado significa que o que é mostrado é proibido.






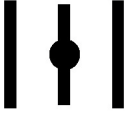
### NOTA

Esta mensagem anexa fornece dicas de uso, cuidado e manutenção do produto.








### IMPORTANTE

Texto emoldurado exibindo a palavra "**IMPORTANTE**" contém informações importantes sobre o uso, verificação, manutenção e armazenamento do produto descrito no manual.

## Símbolos

Forma/formato do símbolo	Descrição/aplicação do símbolo	Forma/formato do símbolo	Descrição/aplicação do símbolo
	Leia atentamente o manual do operador		Mistura de gasolina e óleo
	Utilize proteção para os olhos, ouvidos e cabeça		Posição "Partida a frio" de controle de afogador (Afogador fechado)
	Utilize luvas e proteção para os pés		Posição "Operar" de controle de afogador (Afogador aberto)

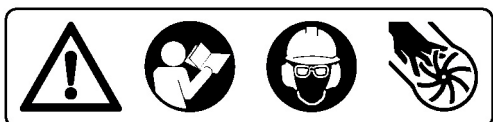
# Para uso seguro do seu produto

Forma/formato do símbolo	Descrição/aplicação do símbolo	Forma/formato do símbolo	Descrição/aplicação do símbolo
	Parada de emergência		Corte nos dedos
	Não use o produto em lugares com pouca ventilação		Cuidado com áreas com altas temperaturas
	Cuidado com fogo		Partida do motor
	Cuidado com choques elétricos		

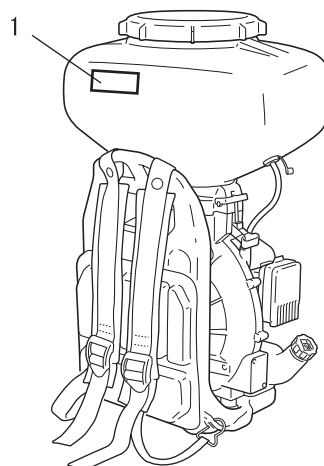
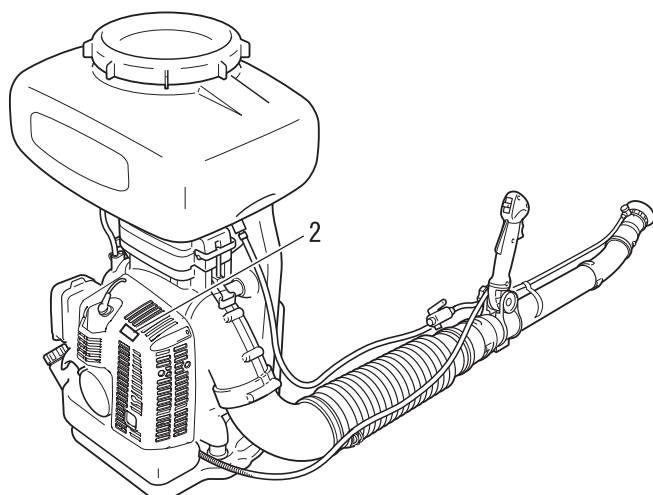
## Adesivo(s) de segurança

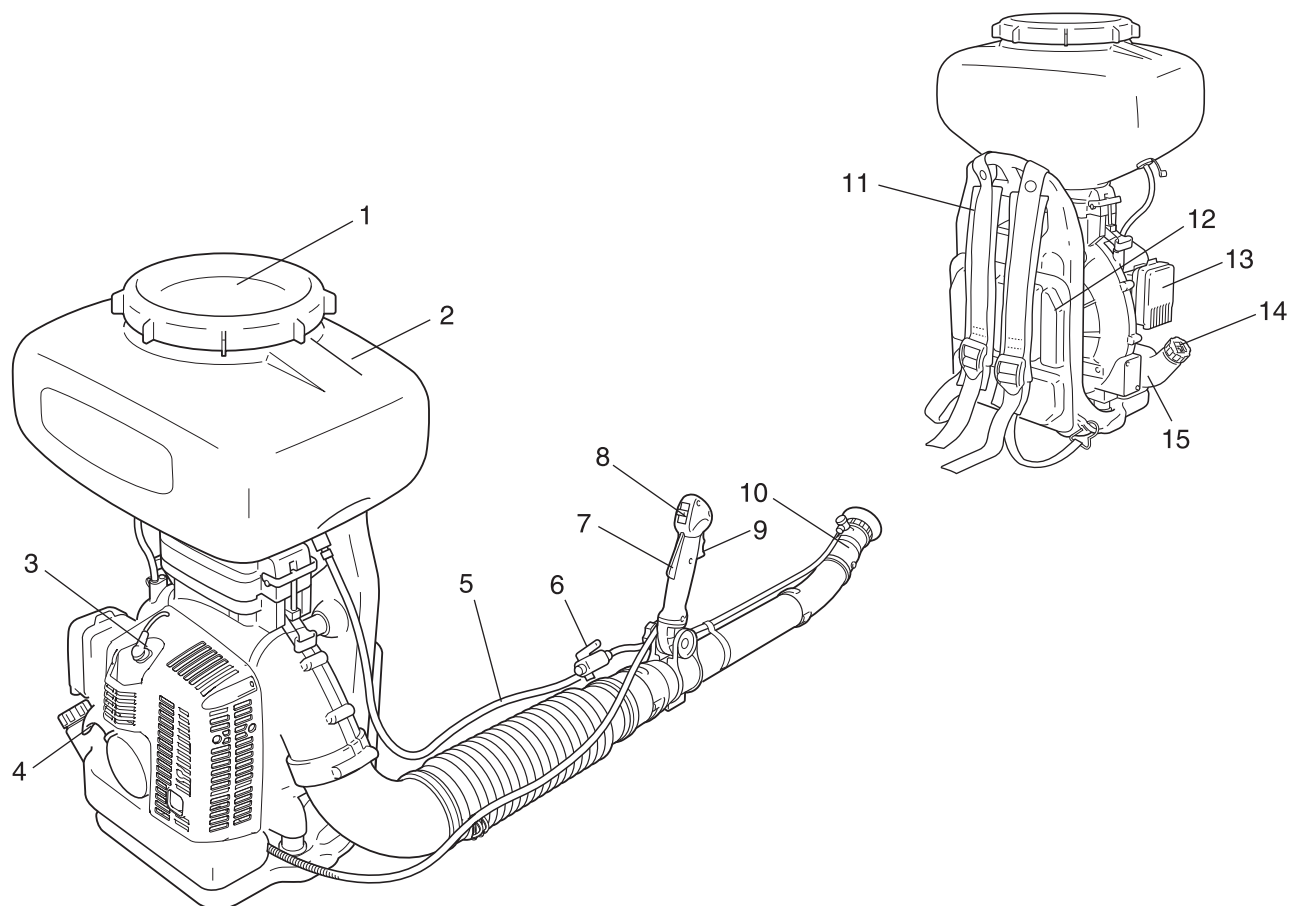
- O adesivo de segurança mostrado abaixo foi colocado nos produtos descritos neste manual. Certifique-se de que tenha entendido o que o adesivo significa antes de utilizar seu produto.
- Se o adesivo se tornar ilegível com o tempo devido ao desgaste ou dano, ou descolar e for perdido, adquira um adesivo de substituição do seu distribuidor e coloque-o no local mostrado nas ilustrações abaixo. Certifique-se de que o adesivo esteja sempre legível.

1. Adesivo de segurança (Número da peça 890160-09461)



2. Adesivo de segurança (Número da peça X505-002310)



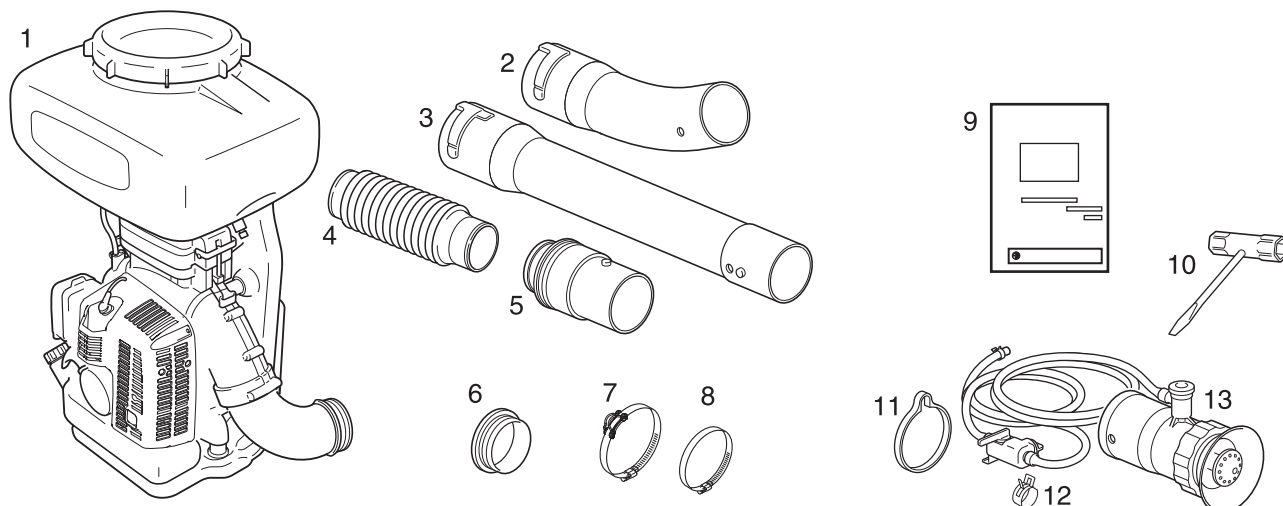


1. **Tampa do tanque de produto químico**
2. **Tanque químico** Contém produto químico.
3. **Vela de ignição**
4. **Controle de partida** Puxe o controle para acionar o motor.
5. **Tubo de descarga**
6. **Válvula**
7. **Trava do gatilho acelerador** Trava o gatilho acelerador na posição inativa até ser acionado adequadamente com sua mão direita no guidão.
8. **Botão de ignição** "Botão deslizante" montado na parte superior do conjunto do gatilho acelerador, mova o botão para frente para a PARTIDA e para trás para a posição PARAR.
9. **Gatilho acelerador** Ativado pelo dedo do operador para controlar a velocidade do motor.
10. **Bocal**
11. **Cinta de ombro** Uma tira ajustável para suspender a unidade.
12. **Placa traseira da almofada**
13. **Tampa do purificador de ar** Cobre o filtro de ar.
14. **Tampa do tanque de combustível** Para fechar o tanque de combustível.
15. **Tanque de combustível** Contém o combustível e o filtro de combustível.

# Antes de você começar

## Conteúdo da embalagem

- ♦ As peças a seguir são embaladas separadamente na caixa da embalagem.
- ♦ Depois de abrir a embalagem, verifique as peças nela contidas.
- ♦ Entre em contato com seu revendedor se alguma peça estiver quebrada ou faltando.

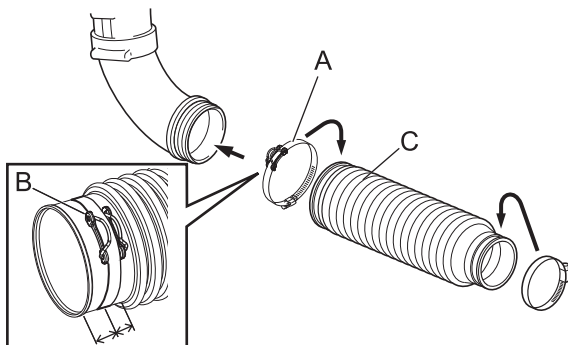


- |                             |                       |
|-----------------------------|-----------------------|
| 1. Pulverizador             | 8. Braçadeira         |
| 2. Tubo curvo               | 9. Manual do operador |
| 3. Tubo reto                | 10. Chave de encaixe  |
| 4. Tubo flexível            | 11. Tira de borracha  |
| 5. Tubo de rotação          | 12. Tira              |
| 6. Gaxeta                   | 13. Bocal             |
| 7. Braçadeira com cabo guia |                       |

## Montagem

### ⚠ ATENÇÃO

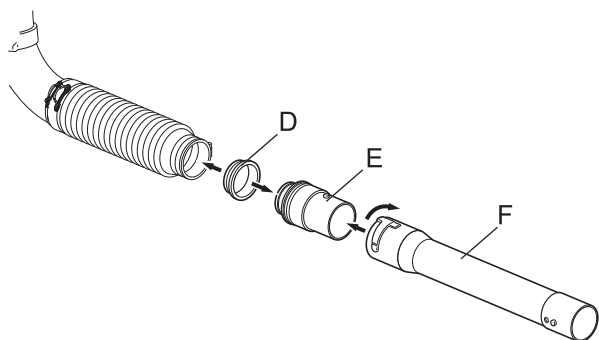
- **Leia o manual do operador cuidadosamente para garantir que você monte o produto corretamente.**  
Usar um produto que foi montado incorretamente pode levar a um acidente ou lesão séria.



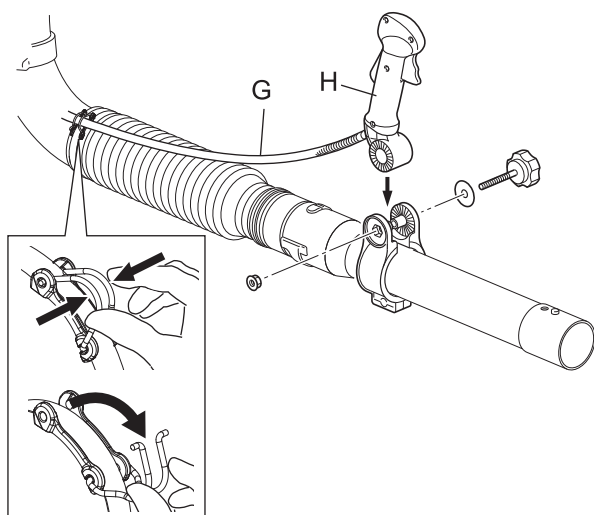
1. Monte a braçadeira com o cabo guia (A) na extremidade do tubo flexível (C) com o maior diâmetro. Coloque a braçadeira com o lado da abertura (B) do clipe direcionada para cima.
2. Prenda o tubo flexível na articulação.
3. Coloque a braçadeira com o cabo guia em torno da metade do caminho entre a extremidade do tubo flexível e os foles. Posicione o cabo guia na parte externa do tubo flexível em um ângulo inclinado de cerca de 45° para cima e aperte a braçadeira.



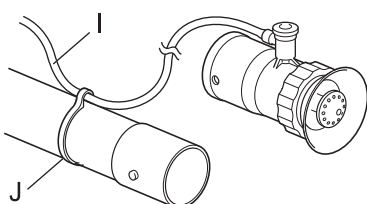
## Antes de você começar



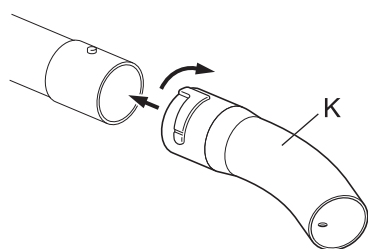
4. Instale a gaxeta (D) ao tubo de rotação (E).
5. Prenda o tubo de rotação ao tubo flexível.
6. Prenda o tubo reto (F) ao tubo de rotação.



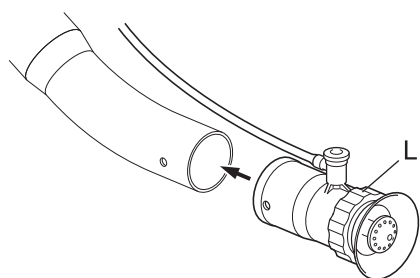
7. Prenda o cabo acelerador (G) no cabo guia.
8. Posicione a alça (H) em um local adequado para uma operação confortável e aperte o botão.



9. Monte um tubo reto no outro.
10. Coloque o tubo de descarga (I) dentro da tira de borracha (J).

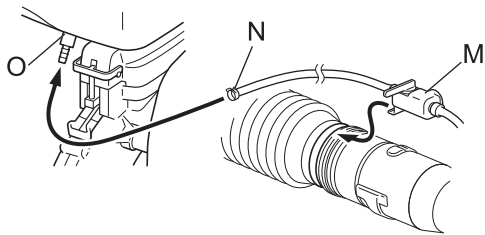


11. Encaixe o tubo curvo (K) no tubo reto.



12. Prenda o tubo do bocal (L) ao tubo entalhado.

# Antes de você começar



13. Monte a válvula (M) na braçadeira e aperte a braçadeira.
14. Insira o tubo de descarga no tanque químico (O).
15. Usando uma ferramenta como alicate, fixe o tubo com a tira (N).

## Preparando o combustível

### ⚠ PERIGO

- Não abasteça enquanto o motor estiver quente ou em operação.
- Não fume ou deixe uma chama próxima ao reabastecer.  
Se o fizer, o combustível pode incendiar-se e causar fogo, levando a queimaduras.



### ⚠ ATENÇÃO

- Não abasteça os tanques de combustível em ambiente fechado. Sempre abasteça os tanques de combustível em ambiente externo sobre solo descoberto. Não reabasteça o produto na plataforma de carga de um caminhão ou locais semelhantes.
- Tanques/latas de combustível podem estar sob pressão. Sempre afrouxe as tampas de combustível lentamente permitindo que a pressão se estabilize.  
Caso contrário, o combustível pode ser expelido.
- Enxugue com um pano qualquer combustível que transborde ou derrame devido ao preenchimento excessivo.  
Vazamentos de combustível podem causar fogo e queimaduras quando incendiados.
- Após reabastecer, sempre verifique se não há vazamentos ou descargas de combustível do tubo de combustível, arruelas do sistema de combustível, ou ao redor da tampa de combustível. Se você encontrar vazamentos ou descargas de combustível, pare de usar o produto imediatamente e entre em contato com seu distribuidor para que seja consertado.  
Qualquer vazamento de combustível pode causar incêndio.
- Mantenha o tanque de reabastecimento em uma área de sombra longe do fogo.
- Utilize um reservatório aprovado para combustível.

### IMPORTANTE

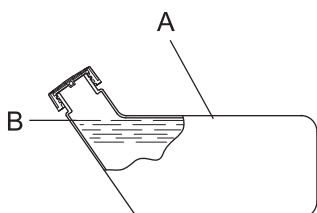
- O combustível é uma mistura de gasolina comum e um óleo de motor de 2 tempos refrigerado a ar e de marca confiável. Gasolina sem chumbo de octanagem mínima igual a 89 é recomendada. Não use combustível contendo álcool metílico ou mais de 10 % de álcool etílico.
- Combustível armazenado envelhece. Não faça a mistura de mais combustível que você espera utilizar em 30 (trinta) dias.

## Combustível



- ♦ Proporção recomendada da mistura; 50; 1 (2 %) para Padrão ISO-L-EGD (ISO/CD 13738), JASO FC, classe FD e ECHO Premium 50 : 1 óleo.
- ♦ Não misture diretamente no tanque de combustível do motor.

## Alimentação de combustível



- ♦ Não adicione combustível demais alcançando a boca do tanque de combustível (A). Mantenha o combustível no nível indicado (até o nível no ombro (B) do tanque de combustível).
- ♦ Aperte a tampa do tanque de combustível firmemente após reabastecer.

## Produtos químicos

### ATENÇÃO

- **Evite contato direto e ingestão de produtos químicos. Alguns produtos químicos podem ser muito prejudiciais a seres humanos e animais.**  
O mau uso de produtos químicos pode resultar em sério envenenamento ou morte.
- **Enxofre é um material muito inflamável. Ao pulverizar produtos químicos contendo enxofre, leia cuidadosamente a explicação sobre a aplicação anexada aos produtos químicos e trate os produtos com cuidado.**

### NOTA

- Não dilua produtos químicos diretamente no tanque de produto químico.
- ♦ Siga todas as precauções e instruções no rótulo dos produtos químicos ao manusear.
  - ♦ Nunca permita que pessoas não treinadas ou crianças manuseiem produtos químicos e a unidade.
  - ♦ Desligue o motor e coloque a unidade no chão ao abastecer com produtos químicos.
  - ♦ Certifique-se de fechar a válvula antes de abastecer com produtos químicos.
  - ♦ Não encha com excesso de produto químico e enxugue qualquer derramamento imediatamente.
  - ♦ Aperte firmemente a tampa do tanque de produto químico para evitar vazamento de produtos químicos durante a operação.

# Operação do motor

## Dando partida no motor

### ⚠ ATENÇÃO

Tenha cuidado especial e observe as seguintes precauções ao dar partida no motor:

- Distancie-se pelo menos 3 metros do local onde você reabasteceu.
- Coloque o produto em um lugar plano e bem ventilado.
- Verifique se não há vazamentos de combustível.
- Verifique se as porcas e parafusos não estão frouxas.
- Deixe bastante espaço ao redor do produto e não permita a presença de pessoas ou animais próximo a ele.
- Tome precauções para evitar que o cabelo seja sugado pelo ventilador.
- Dê a partida no motor com o gatilho acionador na posição de velocidade em marcha lenta.
- Segure o produto firmemente no solo ao dar partida no motor.

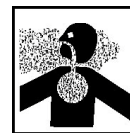
A não observância das precauções pode causar um acidente ou lesão, ou até levar a uma fatalidade.

- Verifique se não existem vibrações ou sons anormais quando o motor começar a funcionar. Não use o produto em caso de vibrações ou sons anormais. Entre em contato com seu distribuidor para que seja consertado.

Acidentes envolvendo peças que caíam ou se estilhacem podem causar ferimentos ou lesões graves.

- Os gases de escape do motor contêm gases tóxicos. Não opere o produto em locais fechados ou em lugares com pouca ventilação.

Os gases de escape podem causar envenenamento.



- Não toque o silenciador, vela de ignição ou outros componentes com alta temperatura enquanto o produto estiver em funcionamento ou por algum tempo após ele parar.

Você pode se queimar se tocar em um componente com alta temperatura.



- Não toque na vela de ignição, cabo da vela de ignição e outros componentes de alta voltagem enquanto o produto estiver funcionando.

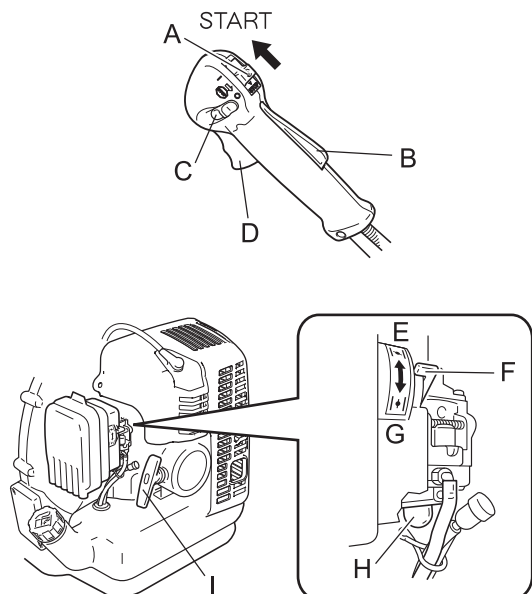
Você pode levar um choque elétrico se tocar em um componente de alta voltagem enquanto o produto estiver operando.



### NOTA

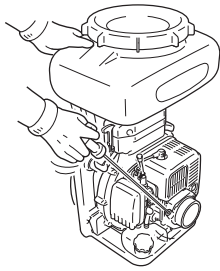
- Puxe a alça de partida lentamente primeiro, depois mais rapidamente. Não puxe a corda de partida mais de 2/3 do seu comprimento.
- Não solte a alça de partida quando ela retornar.

## Dando partida em um motor frio

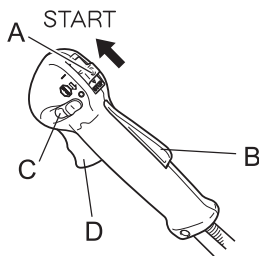


(Conecte a tampa da vela de ignição se o produto ficar guardado por um longo período de tempo).

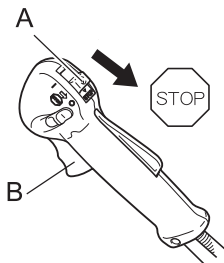
1. Colocar o produto em nível plano.
2. Assegure-se de que a válvula esteja fechada.
3. Mova o botão de ignição (A) para a posição Start (Partida).
4. Certifique-se de que o gatilho acelerador (D) esteja na posição de marcha lenta.
5. Mova a alavanca do afogador (F) para a posição "Cold Start" (Partida Fria).
6. Como alternativa, pressione e libere o bulbo de borracha (H) até que o combustível seja sugado para ele.
7. Após verificar a segurança da área em volta, segure firmemente o produto, como mostrado na ilustração, puxando diversas vezes a alça de partida (I).
8. Se ouvir um som como de uma explosão e o motor parar imediatamente, mova a alavanca do afogador para a posição "Run" (Acionar) (G) e continue puxando a alça de partida para dar partida no motor.
9. Se o motor não parar, mova a alavanca do afogador lenta-



## Dando partida em um motor quente



## Desligando o motor



10. Deixe o motor aquecer algum tempo em marcha lenta.
- \* Se for difícil dar a partida no motor, use a trava do acelerador (C). (Puxe o gatilho acelerador completamente e abaixe a trava do acelerador enquanto pressiona a trava do gatilho acionador (B) e libere o gatilho acelerador para ativar a trava do acelerador. Depois que o motor der a partida, puxe lentamente o gatilho acelerador para liberar a trava do acelerador imediatamente.)

1. Mova o botão de ignição (A) para a posição Start (Partida).
2. Certifique-se de que o gatilho acelerador (D) esteja na posição de marcha lenta.
3. Verifique se a alavanca do afogador está na posição "Run" (Acionar).
4. Se nenhum combustível estiver visível no bulbo de borracha, como alternativa, pressione e libere o bulbo de borracha até que o combustível seja sugado.
5. Verifique se a área em volta é segura, mantenha a posição mais próxima do motor com firmeza e puxe a alça de partida para acionar o motor.
6. Após verificar a segurança da área em volta, segure firmemente o produto, puxando diversas vezes a alça de partida (I).

1. Mova o gatilho acelerador (B) para a posição de marcha lenta e ajuste o motor para inativo (i.e. baixa velocidade).
  2. Mova o botão de ignição (A) para a posição Stop (Parar).
  3. No caso de uma emergência, pare o motor imediatamente usando o botão de ignição.
  4. Se o motor não parar, mova a alavanca do afogador para a posição "Cold Start" (Partida Fria). O motor irá afogar e será interrompido (uma parada de emergência).
- \* Se o motor não parar quando o botão de ignição for usado, peça que seu revendedor examine e repare antes de usar o produto novamente.
5. Sempre desconecte o cabo da vela de ignição da vela de ignição para garantir que o motor não possa funcionar antes que você trabalhe na unidade ou deixe-o sem supervisão.

# Operando o atomizador

## **⚠️ ATENÇÃO**

- Antes de começar o trabalho, verifique a direção do vento. Evite pulverizar na direção de portas ou janelas abertas, carros, animais de estimação, crianças ou qualquer coisa que possa ser prejudicada pelo produto químico.
- Esta unidade é projetada apenas para uso na posição vertical, não o coloque deitado ou excessivamente inclinado para evitar vazamento de produtos químicos ao operar e transportar.
- Esta unidade irá alterar seu equilíbrio. Precauções extras devem ser tomadas para manter seu apoio e equilíbrio.
- Verifique se as alças das costas não estão enroladas em quaisquer alavancas de controle quando colocar a unidade nas suas costas.

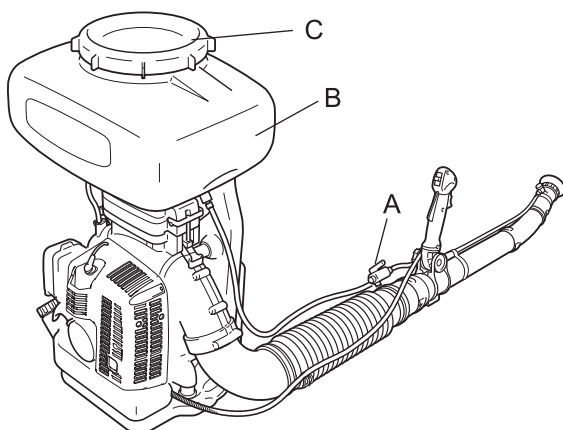
### **Transporte do produto**

- Ao transportar na situações descritas abaixo, desligue o motor e posicione o silenciador para longe de você.
    - ◆ Movendo para o lugar onde você está trabalhando.
    - ◆ Movendo para outra área enquanto você estiver trabalhando.
    - ◆ Deixando o lugar onde você estava trabalhando.
- A não observância destas precauções pode causar queimaduras ou lesões graves.
- Ao transportar o produto por carro, esvazie o tanque de combustível e segure o produto firmemente no lugar para evitar que ele se mova.  
Viajar de carro com combustível no tanque de gasolina pode causar incêndio.

## **IMPORTANTE**

- A atomização deve ser feita do lado protegido do vento. Escolha a manhã ou a noite quando não há muito vento, e a temperatura do solo reverte, para minimizar as perdas de dispersão e melhorar o efeito de adesão do produto químico e ainda para uma operação menos perigosa.
- Antes de operar a unidade, verifique e siga os regulamentos locais quanto ao nível de ruído e horários de operação.
- Evite utilizar as unidades quando houver a possibilidade de perturbar pessoas, como tarde da noite ou cedo pela manhã.
- Opere a unidade no ajuste mais baixo possível de acelerar para realizar o trabalho.
- Certifique-se de que o silenciador funcione bem. Verifique também as entradas de ar e o filtro de ar para certificar-se de que a unidade esteja funcionando corretamente.
- Utilize apenas uma unidade de equipamento por vez.

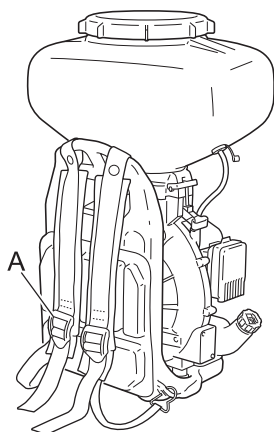
### **Enchendo o tanque químico**



- ◆ Feche a válvula (A).
- ◆ Encha o produto químico líquido através do filtro no tanque (B). Mexa após encher para evitar depósitos químicos no fundo do tanque.
- ◆ Feche firmemente a tampa do tanque (C) para evitar vazamento de pressão de ar. Caso contrário, isso resultará em fraca pulverização.

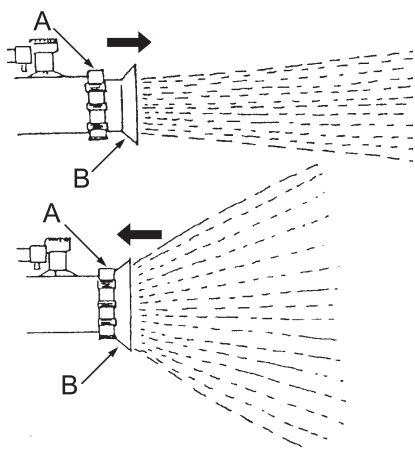
# Operando o atomizador

## Usando cinta de ombro



- ♦ Ajuste o comprimento da cinta de sustentação de ombro usando a fivela (A) para que você possa operar a unidade confortavelmente.

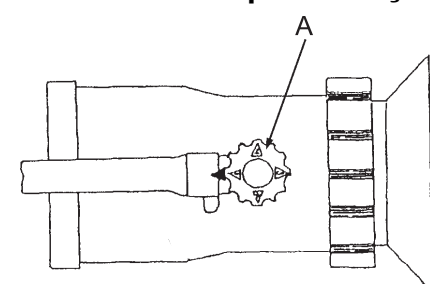
## Ajustando o padrão da pulverização.



O padrão de pulverização pode ser ajustado de jato direto até uma pulverização aberta ajustando a posição do anel.

- ♦ Afrouxe a porca do anel (A) e empurre o anel (B) para a frente para obter um jato direto.
- ♦ Empurre o anel de volta para obter uma pulverização aberta.

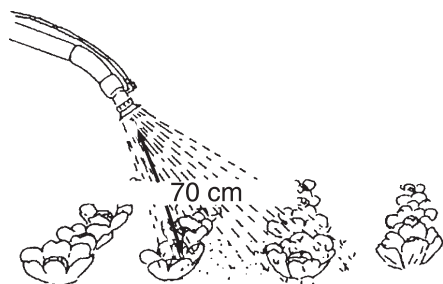
## Ajustando o volume da pulverização



O volume da pulverização pode ser ajustado alinhando o número (A) com a marca, como mostrado. O volume de pulverização é indicado a seguir.

Ajustando o número	1	2	3	4
Volume de liberação (l/min)	1,8	2,4	3,4	4,4

(Orientação do tubo: horizontal)



## NOTA

- Mantenha o bico a uma distância de 70 cm das plantas para prevenir danos.
- Finalize o trabalho antes que o produto químico diluído seja depositado no fundo do tanque químico.

# Manutenção e cuidados

## **⚠ ATENÇÃO**

- Observe as seguintes precauções ao examinar e realizar a manutenção do seu produto após o uso:
- Desligue o motor e não tente verificar ou realizar manutenção no produto até que o motor tenha esfriado. Você pode se queimar.
  - Remova a tampa da vela de ignição antes de realizar verificações e manutenção. Um acidente pode ocorrer se o produto ligar de maneira inesperada.

## **IMPORTANTE**

- A verificação e manutenção requer conhecimento especializado. Se você não puder verificar e realizar a manutenção do produto ou lidar sozinho com uma falha, consulte seu distribuidor. Não tente desmontar o produto.

### **Diretrizes de manutenção**

Área	Manutenção	Página	Antes do uso	Mensalmente
Filtro de ar	Limpe/Substitua	16	•	
Filtro de combustível	Inspeção/Limpe/Substitua	17	•	
Vela de ignição	Inspeção/Limpe/Ajuste/Substitua	18		•
Carburador	Inspeção/Substitua e ajuste	-		•
Sistema de arrefecimento	Inspeção/Limpe	17	•	
Silenciador	Inspeção/Aperte	-	•	
Silenciador	Limpe	17		•*
Motor de partida	Inspeção	-	•	
Sistema de combustível	Inspeção	18	•	
Parafusos, rebites e porcas	Inspeção, Aperte/Substitua	-	•	

\* Ou 100 horas, o que ocorrer primeiro.

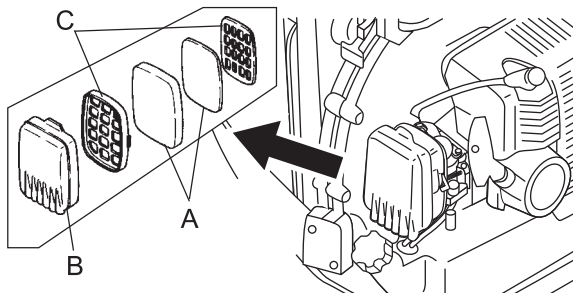
## **IMPORTANTE**

- Os intervalos de tempo são máximos. O uso efetivo e sua experiência irão determinar a frequência exigida para a manutenção.

### **Manutenção e cuidados**

Se você tiver dúvidas ou problemas, entre em contato com seu distribuidor.

#### **Limpendo o filtro de ar**



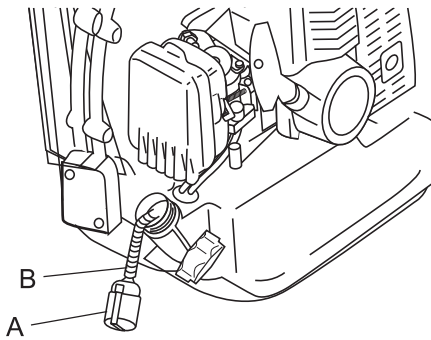
## **NOTA**

- Limpe o filtro de ar (A) após cada uso.

1. Feche o afogador, remova a tampa do filtro de ar (B), grades (C), filtros de ar. Depois verifique e/ou limpe os filtros de ar lavando-os com um solvente adequado quando estiverem bastante sujos.
2. Seque os filtros antes da reinstalação.



## Substituindo o filtro de combustível



### NOTA

- Um filtro de combustível obstruído irá causar uma partida forçada ou fraco desempenho do motor.
- Mantenha o tanque de combustível limpo - não permita que sujeira ou detritos entrem no tanque de combustível.

1. Use um pedaço de fio metálico ou algo similar para retirar o filtro de combustível (A) através da abertura do tanque de combustível.
2. Extraia o filtro velho da linha de combustível (B).
3. Instale o novo filtro de combustível.
4. Certifique-se de que o filtro de combustível chegue ao fundo do tanque.

## Manutenção do sistema de arrefecimento.

### ⚠ ATENÇÃO

- Não coloque as mãos entre o motor e o compartimento da mochila com o motor em operação. Certifique-se de que o motor tenha parado completamente antes de inserir as mãos para remover quaisquer detritos. Se disponível, utilize um utensílio para remover os detritos.

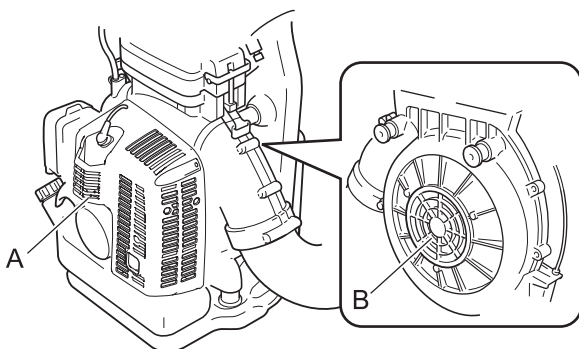
A não observância das precauções pode causar um acidente ou lesão, ou até levar a uma fatalidade.

### IMPORTANTE

- Para manter a temperatura adequada de operação o ar de arrefecimento deve passar livremente pelo área da aleta do cilindro. Esta corrente de ar transporta o calor da combustão para longe do motor. Superaquecimento e gripagem do motor pode ocorrer quando:

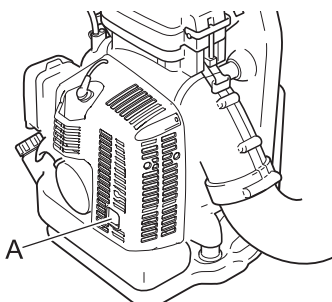
- ♦ As tomadas de ar estão bloqueadas, impedindo que o ar de arrefecimento chegue ao cilindro,
- ♦ Poeira e grama se acumulam na parte externa do cilindro. Este acúmulo isola o motor e impede que o calor saia.

A remoção do bloqueio da passagem de arrefecimento ou limpeza das aletas do cilindro é considerada "Manutenção normal". Qualquer falha resultante atribuída à falta de manutenção não está coberta pela garantia.



- ♦ Remova a poeira e sujeira entre as aletas (A).
- ♦ Remova toda sujeira, folhas e outros detritos da grade do gabinete do ventilador. Deve-se ter cuidado para não deixar que objetos estranhos entrem no gabinete do ventilador através da grade (B). Com certeza isso causará danos ao ventilador e ao gabinete.

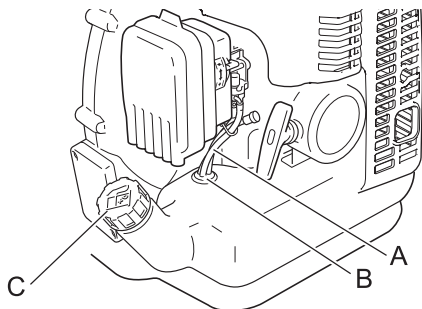
## Limpendo o silenciador



- ♦ Limpe o silenciador removendo depósitos de carbono na porta de saída (A). Isto deve ser feito periodicamente para manter o desempenho constante do motor.

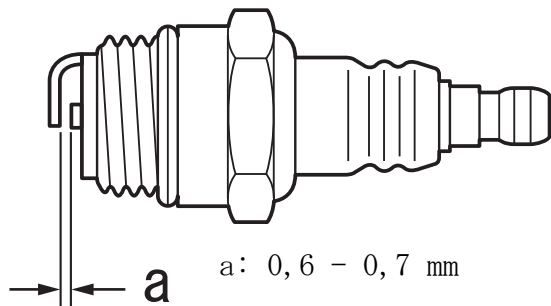
# Manutenção e cuidados

## Verifique o sistema de combustível



- ♦ Verifique antes de cada uso.
- ♦ Após reabastecer, certifique-se de que ele não vaze ou exale odor ao redor do tubo de combustível (A), arruela de combustível (B) ou tampa do tanque de combustível (C).
- ♦ Em caso de vazamento ou exsudação de combustível, há perigo de incêndio. Pare de usar a máquina imediatamente e solicite que seu distribuidor inspecione ou substitua.

## Verifique a vela de ignição



1. Verifique a abertura da vela. A abertura correta é 0,6 mm a 0,7 mm.
  2. Inspecione o eletrodo quanto a desgaste.
  3. Inspecione o isolador quanto a óleo ou outros depósitos.
  4. Se os eletrodos ou terminais estiverem gastos, ou em caso de rachaduras na cerâmica, substitua por peças novas.
  5. Aperte com 15 N·m - 17 N·m (150 kgf·cm até 170 kgf·cm).
- \* O teste de fagulha (para verificar se a vela de ignição está produzindo fagulhas) deve ser realizado pelo seu distribuidor.

## Tabela de solução de problemas

<b>IMPORTANTE</b>			
<p>○ Para peças de reposição e acessórios, utilize apenas peças originais e produtos e componentes indicados. Utilizar peças de outros fabricantes ou componentes não indicados pode resultar em mau funcionamento.</p>			
<b>Problema</b>	<b>Diagnóstico</b>	<b>Causa</b>	<b>Solução</b>
O motor não dá partida		<ol style="list-style-type: none"> <li>1. Não há combustível no tanque de combustível</li> <li>2. O botão de parada está na posição Stop (Parar)</li> <li>3. Sucção excessiva de combustível</li> <li>4. Falha elétrica</li> <li>5. Mau funcionamento do carburador ou adesão interna</li> <li>6. Mau funcionamento do motor interno</li> </ol>	<ol style="list-style-type: none"> <li>1. Alimentação de combustível</li> <li>2. Mover para a posição Start (Iniciar)</li> <li>3. Dê partida no motor após a manutenção</li> <li>4. Consulte seu revendedor</li> <li>5. Consulte seu revendedor</li> <li>6. Consulte seu revendedor</li> </ol>
É difícil dar partida no motor, rotação flutuante	O combustível está entrando no tubo ladrão	<ol style="list-style-type: none"> <li>1. Degradação do combustível</li> <li>2. Problema do carburador</li> </ol>	<ol style="list-style-type: none"> <li>1. Substitua por novo combustível</li> <li>2. Consulte seu revendedor</li> </ol>
	Nenhum combustível está entrando no tubo ladrão	<ol style="list-style-type: none"> <li>1. O filtro de combustível está obstruído</li> <li>2. O sistema de combustível está obstruído</li> <li>3. As peças internas do carburador estão com adesão</li> </ol>	<ol style="list-style-type: none"> <li>1. Limpar ou substituir</li> <li>2. Consulte seu revendedor</li> <li>3. Consulte seu revendedor</li> </ol>
	A vela de ignição está suja ou úmida	<ol style="list-style-type: none"> <li>1. Degradação do combustível</li> <li>2. Abertura incorreta da vela</li> <li>3. Depósitos de carbono</li> <li>4. Falha elétrica</li> </ol>	<ol style="list-style-type: none"> <li>1. Substituir</li> <li>2. Substituir</li> <li>3. Substituir</li> <li>4. Consulte seu revendedor</li> </ol>
O motor dá partida mas não é possível acelerar		<ol style="list-style-type: none"> <li>1. Filtro de ar sujo</li> <li>2. Filtro de combustível sujo</li> <li>3. Passagem de combustível bloqueada</li> <li>4. Problema no ajuste do carburador</li> <li>5. Abertura de exaustão ou do silenciador bloqueada</li> </ol>	<ol style="list-style-type: none"> <li>1. Limpar ou substituir</li> <li>2. Limpar ou substituir</li> <li>3. Consulte seu revendedor</li> <li>4. Ajustar</li> <li>5. Limpar</li> </ol>
O motor para		<ol style="list-style-type: none"> <li>1. Problema no ajuste do carburador</li> <li>2. Falha elétrica</li> </ol>	<ol style="list-style-type: none"> <li>1. Ajustar</li> <li>2. Consulte seu revendedor</li> </ol>
O motor não para		<ol style="list-style-type: none"> <li>1. Mau funcionamento do botão de parada</li> </ol>	<ol style="list-style-type: none"> <li>1. Faça uma parada de emergência e consulte seu revendedor</li> </ol>
Sem liberação de névoa ou fraca liberação de névoa		<ol style="list-style-type: none"> <li>1. Válvula fechada (ou parcialmente fechada)</li> <li>2. Válvula obstruída</li> <li>3. Tubo de descarga obstruído</li> <li>4. Bocal obstruído</li> <li>5. Tampa do tanque químico frouxa</li> </ol>	<ol style="list-style-type: none"> <li>1. Abrir</li> <li>2. Limpar</li> <li>3. Limpar</li> <li>4. Limpar</li> <li>5. Prenda</li> </ol>

- ♦ Consulte seu distribuidor no caso de um problema que não esteja na tabela acima, ou para outras considerações similares.
- ♦ Entre em contato com seu distribuidor para descartar o produto ou suas peças de acordo com as leis nacionais.

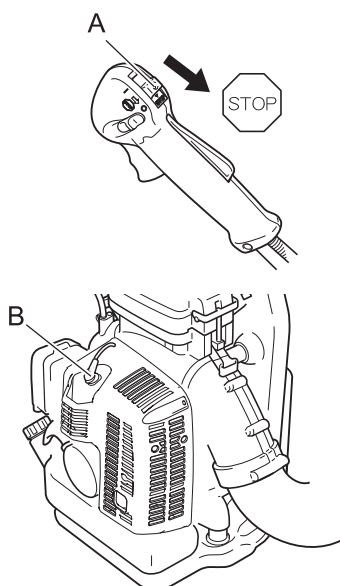
## Armazenamento de longo prazo (30 dias ou mais)

### ATENÇÃO

○ Não armazene em locais fechados contendo combustível, ou próximo a chamas ou faíscas.  
Você pode causar um incêndio.



Ao armazenar o produto por longos períodos de tempo (30 dias ou mais), certifique-se de que as seguintes providências para armazenagem tenham sido tomadas.



1. Retire o produto químico remanescente do tanque. Limpe o interior do tanque de produto químico e do tubo de descarga.
2. Remova todo o combustível do tanque de combustível.
3. Alternativamente, pressione e libere o bulbo de borracha várias vezes para retirar o combustível do bulbo.
4. Dê partida no motor e coloque-o em marcha lenta até que ocorra uma parada natural.
5. Mova o botão de ignição (A) para a posição Stop (Parar).
6. Assim que o produto estiver frio o suficiente, limpe toda a graxa, óleo, sujeira e outros materiais presentes na parte externa da unidade.
7. Realize as inspeções periódicas indicadas neste manual.
8. Verifique se os parafusos e porcas estão apertados. Aperte todos que estiverem frouxos.
9. Remova a vela de ignição e adicione no cilindro a quantidade apropriada (cerca de 10 ml) de óleo novo e limpo para motor de 2 tempos, através do soquete de instalação.
10. Coloque um pedaço de pano limpo sobre o soquete de instalação da vela de ignição.
11. Puxe 2 ou 3 vezes a alça de partida para distribuir o óleo do motor no cilindro.
12. Observe a localização do pistão através do furo da vela de ignição. Puxe a alavanca o cordão de partida lentamente até que o pistão alcance o topo do seu percurso e deixe-o nesse lugar.
13. Ajuste a vela de ignição. (Não conecte a tampa da vela de ignição (B). )
14. Guarde a unidade em um local seco e livre de poeira, fora do alcance de crianças.

# Especificações

		<b>MB-580</b>
<b>Peso:</b> (sem tubos do atomizador, tanque vazio)	kg	11,1
<b>Volume:</b> Tanque de combustível (completo)	L	1,85
<b>Dimensões externas:</b> Comprimento x Largura x Altura (sem tubos)	mm	332 × 477 × 740
<b>Engine: Type</b> Deslocamento do motor Energia máxima Velocidade do motor com potência máxima do motor Carburador Ignição Vela de ignição Motor de partida	mL (cm <sup>3</sup> ) kW r/min	Refrigerado a ar, um cilindro de dois tempos 58,2 2,50 8350 Tipo de diafragma Magneto a volante - sistema CDI NGK BPM7Y Motor de arranque
<b>Combustível:</b>  Óleo  Proporção  Consumo de combustível com potência máxima do motor Consumo específico de combustível com potência máxima do motor	L/h g/(kW•h)	Gasolina normal. Gasolina sem chumbo de octanagem mínima igual a 89 é recomendada. Não utilize combustível contendo álcool metílico. Não use combustível contendo álcool metílico ou mais de 10 % de álcool etílico ou 15% MTBE. Óleo para motor refrigerado a ar, dois tempos. Padrão ISO-L-EGD (ISO/CD 13738), JASO FC, classe FD e ECHO Premium 50 : 1 óleo. 50 : 1 (2%) 1,8 526
Pulverizador		Tipo centrífuga
Capacidade do tanque químico	L	23
<b>Vaporizador:</b> sistema de alimentação líquida sistema de ajuste de vaporização liberação máxima de névoa	L/min	Sistema de ar pressurizado Controle de válvula do bico 4,4

Estas especificações estão sujeitas a alterações sem aviso prévio.

# YAMABIKO CORPORATION

7-2 SUEHIROCHO 1-CHOME, OHME, TOKYO 198-8760, JAPAN  
TELEPHONE: 81-428-32-6118. FAX: 81-428-32-6145.



X750106-8300



**YAMABIKO CORPORATION**

7-2 SUEHIROCHO 1-CHOME, OHME, TOKYO 198-8760, JAPAN  
PHONE: 81-428-32-6118. FAX: 81-428-32-6145.



X750106-8300

**Printed in Japan**  
1603An 1591 ES