



Los accesorios para los productos ECHO se pueden encontrar en:
Accessories for ECHO products can be found at:
www.echo-latinamerica.com/products/catalogs

**LISTA DE PIEZAS
PARTS CATALOG**

**SRM-22GES
Podadora**

SRM-22GES
Trimmer

| ACCESORIOS OPCIONALES | |
|------------------------------------------|-------------|
| CABEZAL DE CORTE | |
| Rapid-Loader de 3 Líneas | 99944200221 |
| Cabeza de corte manual de alta capacidad | 21560066 |
| Kit de arnés para el hombro SRM | 99944200200 |
| Protector de piernas | 103942180 |
| Sistema de casco para desmalezadora | 99988801510 |
| Arnés para desbrozadora | 99944200202 |

| |
|-----------------------------------------|
| 21.2 cc |
| NÚMERO DE SERIE SERIAL NUMBER |
| U54126001001 - U54126999999 |

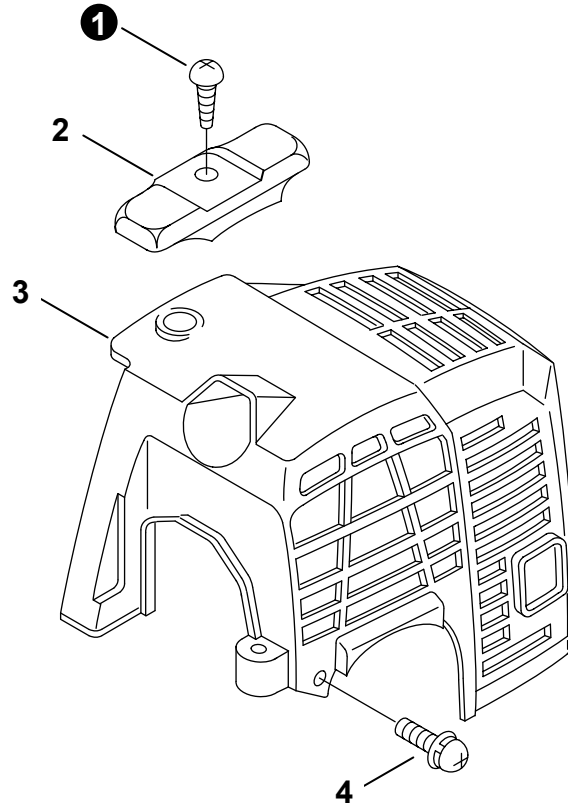
| OPTIONAL ACCESSORIES & ATTACHMENTS: | |
|------------------------------------------------|-------------|
| TRIMMER HEADS | |
| 3-Line Rapid-Loader™ Head | 99944200221 |
| High Capacity Manual Head | 21560066 |
| SRM Shoulder Strap Kit | 99944200200 |
| Shin Guards | 103942180 |
| Brushcutter Helmet System | 99988801510 |
| Heavy-duty 4-Point Brushcutter Harness | 99944200202 |



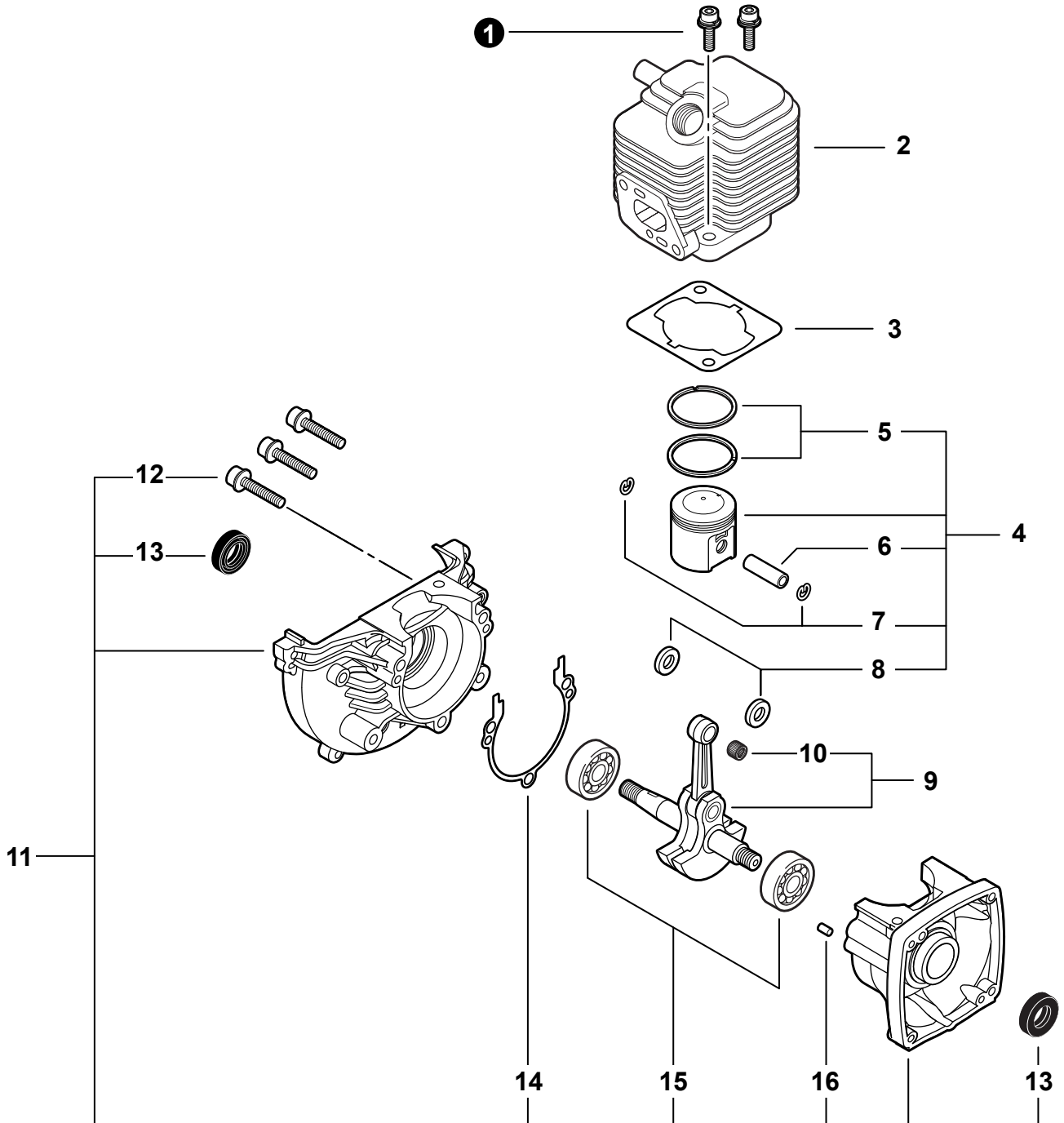
ECHO INCORPORATED

400 Oakwood Road, Lake Zurich, Illinois 60047
 WWW.ECHO-USA.COM

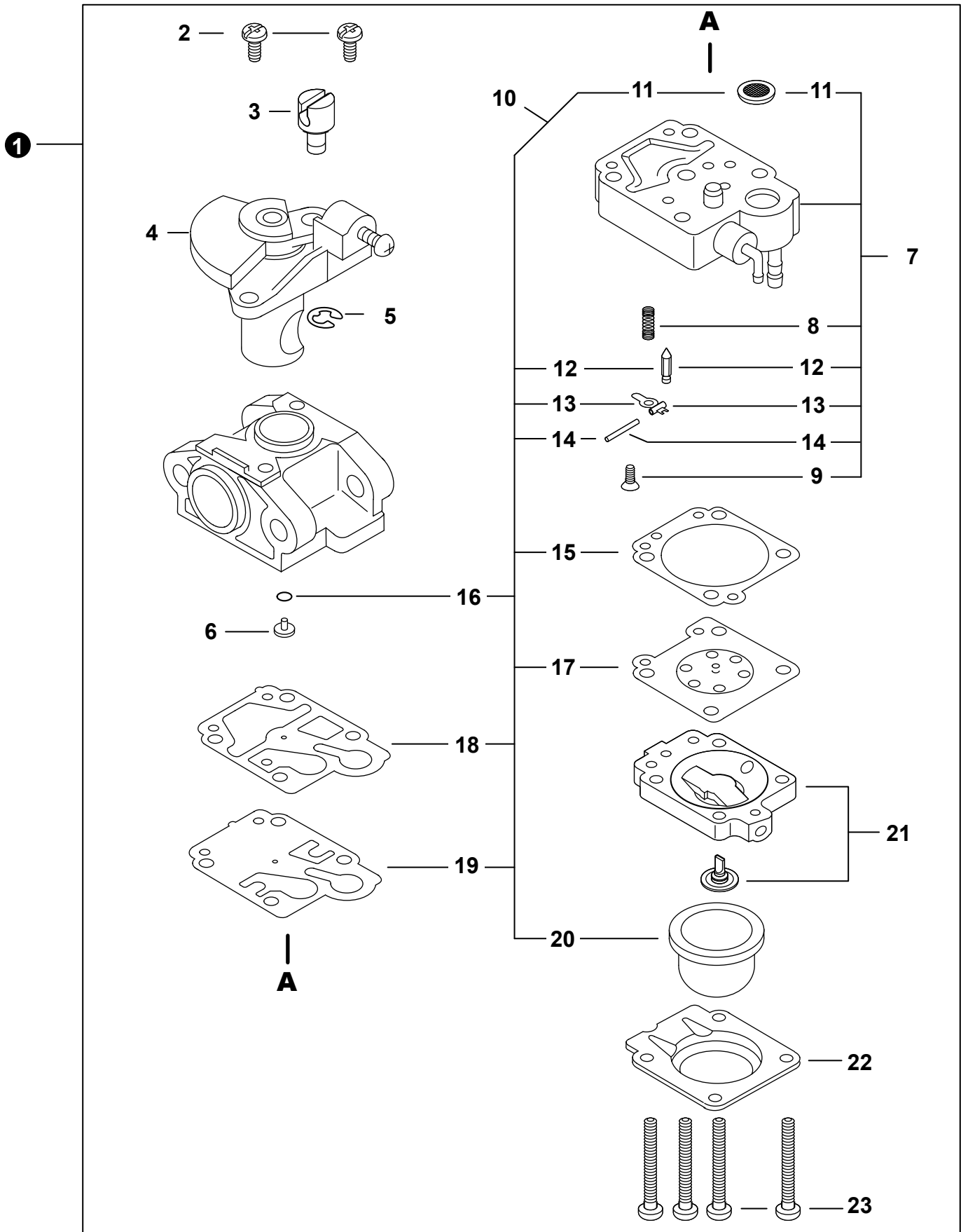
| | |
|-------------------------------------------------------------|-------------------------------------------------------------------------|
| Cubierta del motor 3 Engine Cover | Tubo Principle 14 Main Pipe |
| Motor 4 Engine | Mango de Control 15 Control Handle |
| Motor 5 Engine | Caja de Engranajes 16 Gear Case |
| Carburador 6 Carburetor | Protector Contra Residuos 17 Debris Shield |
| Carburador 7 Carburetor | Cabezal de corte 18 Trimmer Head |
| Admisión 8 Intake | Etiquetas 19 Labels |
| Escape 9 Exhaust | Herramientas 20 Tools |
| Encendido 10 Ignition | Tubo al por mayor 21 Bulk Pipe |
| Arrancador Autorretráctil 11 Recoil Starter | Cuerda del arrancador al por mayor 21 Bulk Starter Rope |
| Sistema de combustible 12 Fuel System | |
| Carcasa del Ventilador 13 Fan Case | |



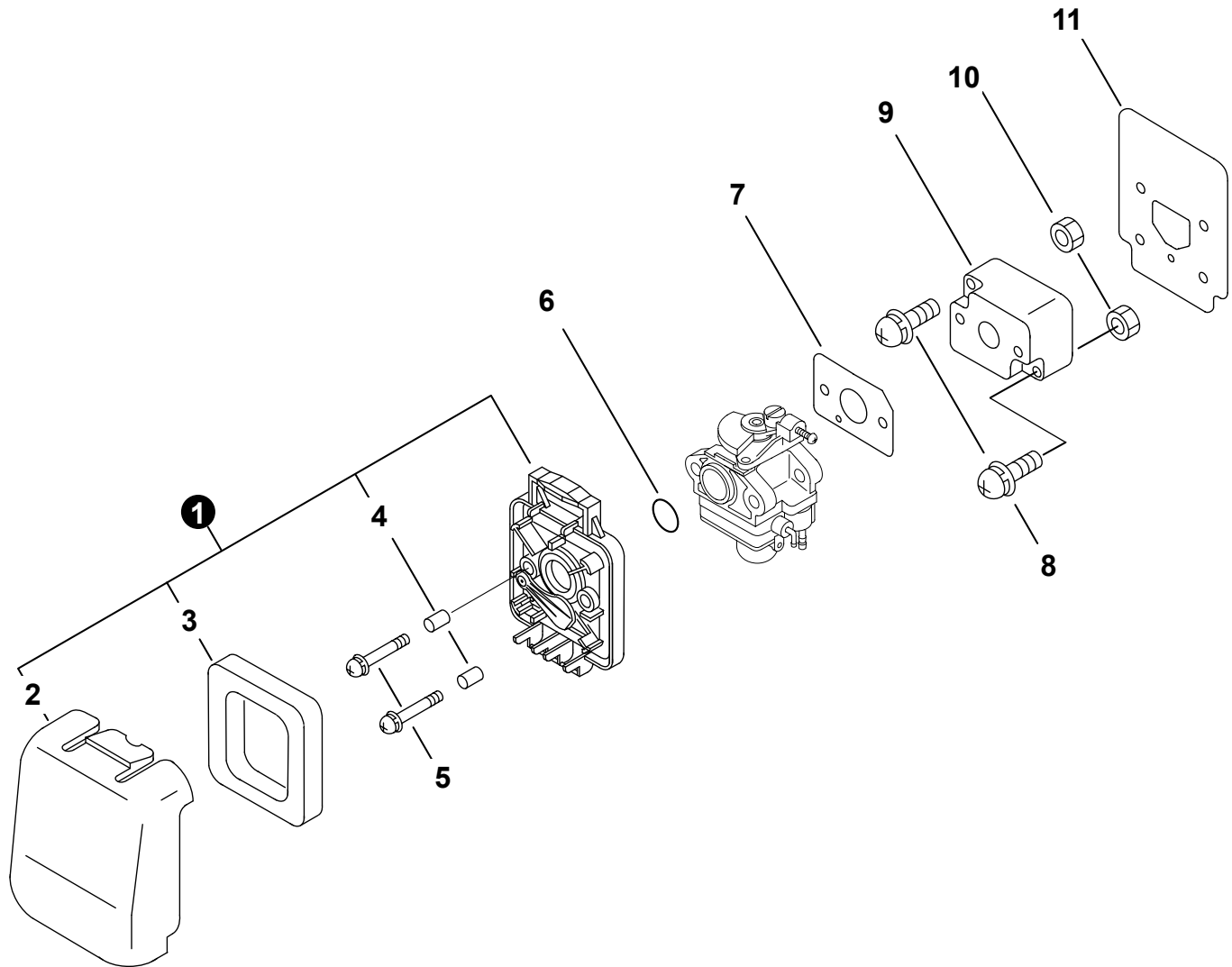
| NO. | PART NUMBER | QTY. | DESCRIPCIÓN | DESCRIPTION |
|-----|-------------|------|-----------------------|---------------------|
| 1 | 90025305020 | 1 | TORNILLO ROSCADO 5x20 | SCREW, TAPPING 5x20 |
| 2 | A162000060 | 1 | PROTECTOR | GUARD, TOP |
| 3 | A160000620 | 1 | CUBIERTA DE MOTOR | COVER, ENGINE |
| 4 | 90023804016 | 2 | TORNILLO 4x16 | SCREW 4x16 |



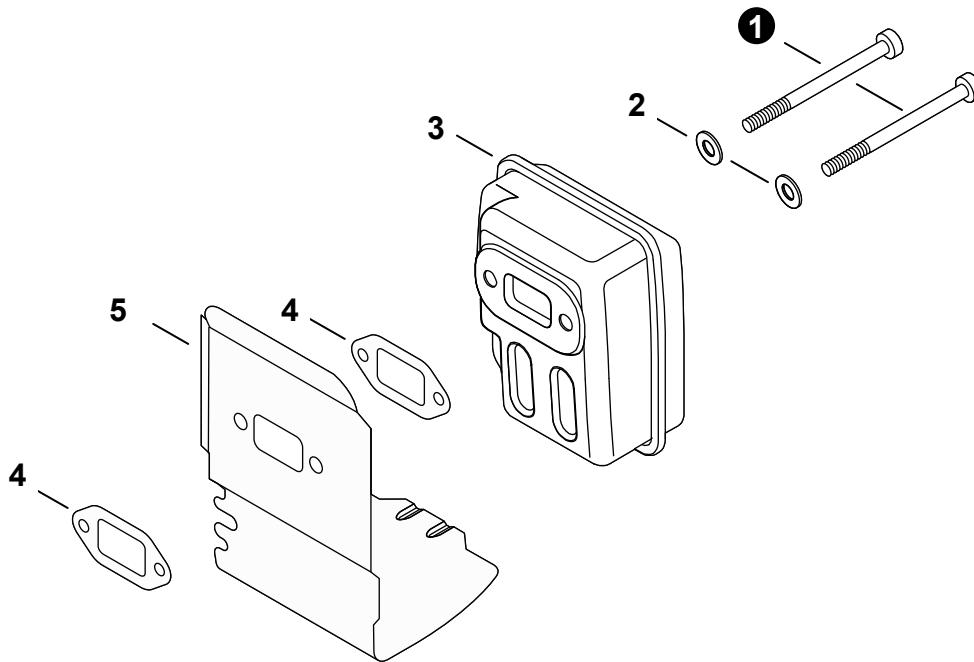
| NO. | PART NUMBER | QTY. | DESCRIPCIÓN | DESCRIPTION |
|-----------|--------------------|----------|---------------------------------|------------------------|
| 1 | 90016205022 | 2 | PERNO 5x22 | BOLT 5x22 |
| 2 | A130000012 | 1 | CILINDRO | CYLINDER |
| 3 | 10101044332 | 1 | EMPAQUETADURA DE CILINDRO | GASKET, CYLINDER |
| 4 | P021009950 | 1 | JUEGO DE PISTÓN | PISTON KIT |
| 5 | A101000000 | 2 | +ANILLO DEL PISTÓN | +RING, PISTON |
| 6 | 10001311520 | 1 | +PASADOR DEL PISTÓN 8 | +PIN, PISTON 8 |
| 7 | 10001504630 | 2 | +ANILLO RETENEDOR | +RING, SNAP |
| 8 | V306000150 | 2 | +ARANDELA 8.2x13x0.8 | +WASHER 8.2x13x0.8 |
| 9 | A011001300 | 1 | MONTAJE DE CIGÜEÑAL | CRANKSHAFT ASSY |
| 10 | V553000010 | 1 | +COJINETE DE AGUJAS 8 | +BEARING, NEEDLE 8 |
| 11 | 10020452133 | 1 | JUEGO DE CÁRTER | CRANKCASE KIT |
| 12 | 90016205028 | 3 | +PERNO 5x28 | +BOLT 5x28 |
| 13 | 10021242031 | 2 | +SELLO DE ACEITE 12 | +SEAL, OIL 12 |
| 14 | 10024242030 | 1 | +EMPAQUETADURA DE CÁRTER | +GASKET, CRANKCASE |
| 15 | 9403536201 | 2 | +COJINETE DE BOLAS 6201 | +BEARING, BALL 6201 |
| 16 | 90033040080 | 2 | +PASADOR DE POSICIONAMIENTO 4x8 | +PIN, LOCATING 4x8 |



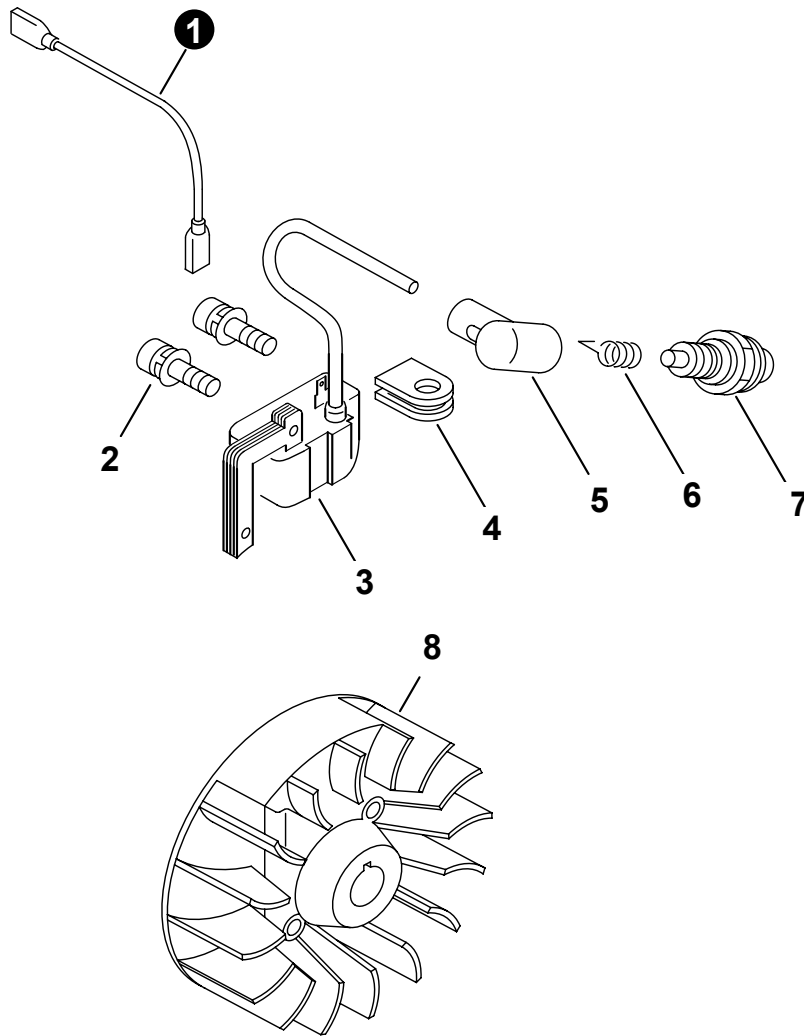
| NO. | PART NUMBER | QTY. | DESCRIPCIÓN | DESCRIPTION |
|-----|-------------|------|--------------------------------------------|--------------------------------|
| 1 | A021000551 | 1 | CARBURADOR - WYL-170A | CARBURETOR - WYL-170A |
| 2 | 12311444330 | 2 | +TORNILLO COLLAR DEL ACELERADOR | +SCREW, THROTTLE COLLAR |
| 3 | 12317245130 | 1 | +CONECTOR GIRATORIO | +SWIVEL |
| 4 | P003000840 | 1 | +MONTAJE DE LA VÁLVULA DEL ACELERADOR | +VALVE ASSY, THROTTLE |
| 5 | 12317307930 | 1 | +RETENEDOR TIPO "E" | +E-RING |
| 6 | 12318444330 | 1 | +INYECTOR PRINCIPAL #37 | +JET, MAIN #37 |
| 7 | 12317905560 | 1 | +MONTAJE DE CUERPO DE BOMBA | +BODY ASSY, PUMP |
| 8 | 12312205560 | 1 | ++RESORTE PALANCA DE MEDICIÓN | ++SPRING, METERING LEVER |
| 9 | 12313905560 | 1 | ++TORNILLO | ++SCREW |
| 10 | P003000060 | 1 | +JUEGO DE REPARACIÓN DE CARBURADOR | +REPAIR KIT, CARBURETOR |
| 11 | 12312610631 | 1 | ++MALLA FILTRADORA | ++SCREEN, FUEL INLET |
| 12 | 12313719830 | 1 | ++VÁLVULA REGULADORA | ++VALVE, INLET NEEDLE |
| 13 | 12312338330 | 1 | ++PALANCA DE MEDICIÓN | ++LEVER, METERING |
| 14 | 12313803930 | 1 | ++PASADOR DE PALANCA DE MEDICIÓN | ++PIN, METERING LEVER |
| 15 | 12314005560 | 1 | ++EMPAQUETADURA DIAFRAGMA DE MEDICIÓN | ++GASKET, METERING DIAPHRAGM |
| 16 | 12318305960 | 1 | ++JUNTA TÓRICA | ++O-RING |
| 17 | P003001850 | 1 | ++DIAFRAGMA DE MEDICIÓN | ++DIAPHRAGM, METERING |
| 18 | 12312540630 | 1 | ++EMPAQUETADURA DE LA BOMBA DE COMBUSTIBLE | ++GASKET, FUEL PUMP |
| 19 | 12311240630 | 1 | ++DIAFRAGMA DE LA BOMBA DE COMBUSTIBLE | ++DIAPHRAGM, FUEL PUMP |
| 20 | 12318140630 | 1 | ++BULBO DE PURGA | ++BULB, PURGE |
| 21 | 12318005560 | 1 | +MONTAJE DE CUERPO DE PURGA | +BODY ASSY, PURGE |
| 22 | 12314205560 | 1 | +RETENEDOR DE BULBO DE PURGA | +RETAINER, PURGE BULB |
| 23 | 12311005560 | 4 | +TORNILLO | +SCREW |



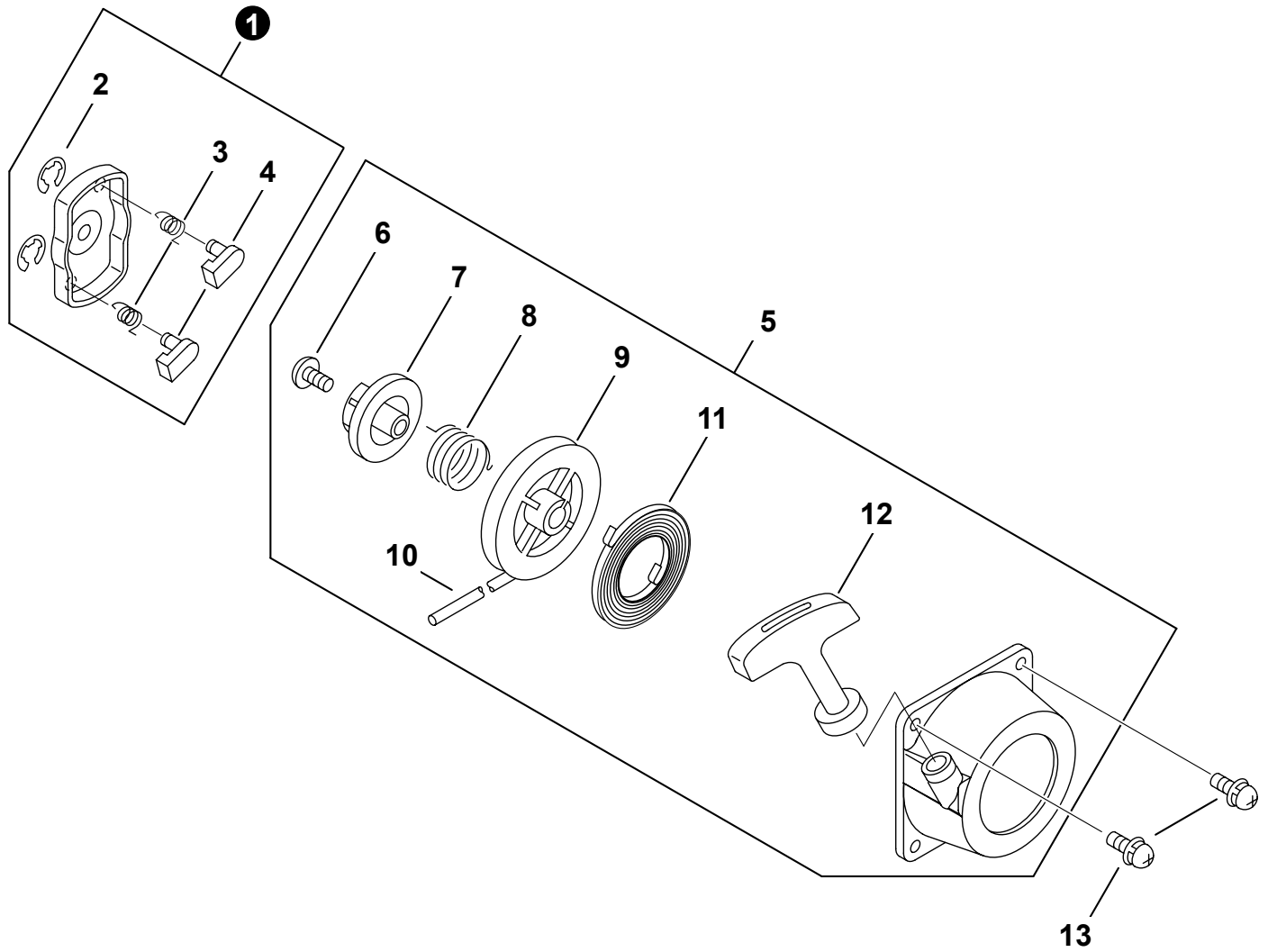
| NO. | PART NUMBER | QTY. | DESCRIPCIÓN | DESCRIPTION |
|-----|-------------|------|------------------------------|--------------------|
| 1 | A027000010 | 1 | MONTAJE DE FILTRO DE AIRE | FILTER ASSY, AIR |
| 2 | P022039200 | 1 | +CUBIERTA DEL FILTRO DE AIRE | +COVER, AIR FILTER |
| 3 | 13031044330 | 1 | +FILTRO DE AIRE | +FILTER, AIR |
| 4 | 13032744330 | 2 | +MANGUITO | +SLEEVE |
| 5 | 90024205064 | 2 | TORNILLO 5x64 | SCREW 5x64 |
| 6 | 90072000015 | 1 | JUNTA TÓRICA 15 | O-RING 15 |
| 7 | V103000251 | 1 | EMPAQUETADURA DE CARBURADOR | GASKET, CARBURETOR |
| 8 | 90023805022 | 2 | TORNILLO 5x22 | SCREW 5x22 |
| 9 | 13001744331 | 1 | AISLADOR DE ADMISIÓN | INSULATOR, INTAKE |
| 10 | 90050000005 | 2 | TUERCA M5 | NUT M5 |
| 11 | V103000240 | 1 | EMPAQUETADURA DE ADMISIÓN | GASKET, INTAKE |



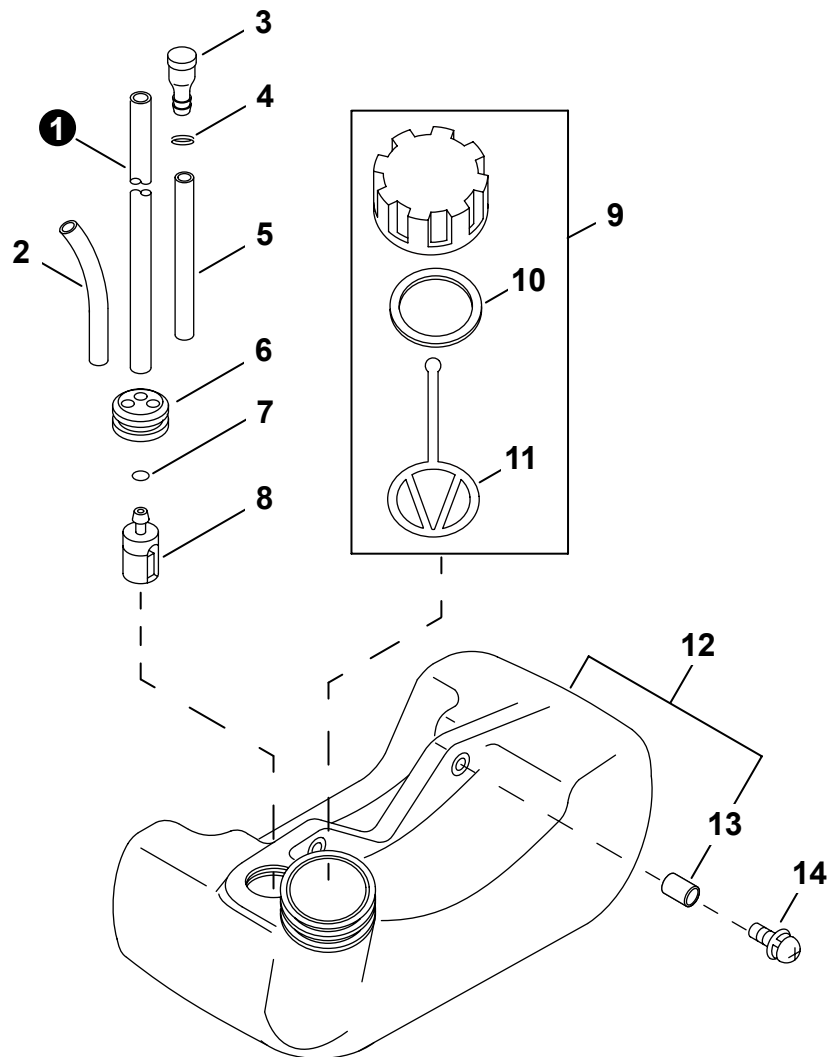
| NO. | PART NUMBER | QTY. | DESCRIPCIÓN | DESCRIPTION |
|-----|-------------|------|------------------------------|-------------------------|
| 1 | 90010505055 | 2 | PERNO 5x55 | BOLT 5x55 |
| 2 | 90060000005 | 2 | ARANDELA 5.5x10x0.8 | WASHER, FLAT 5.5x10x0.8 |
| 3 | A300000350 | 1 | SILENCIADOR | MUFFLER |
| 4 | V104000160 | 2 | EMPAQUETADURA DE ESCAPE | GASKET, EXHAUST |
| 5 | A320000251 | 1 | PROTECTOR TÉRMICO DEL ESCAPE | HEAT SHIELD, EXHAUST |



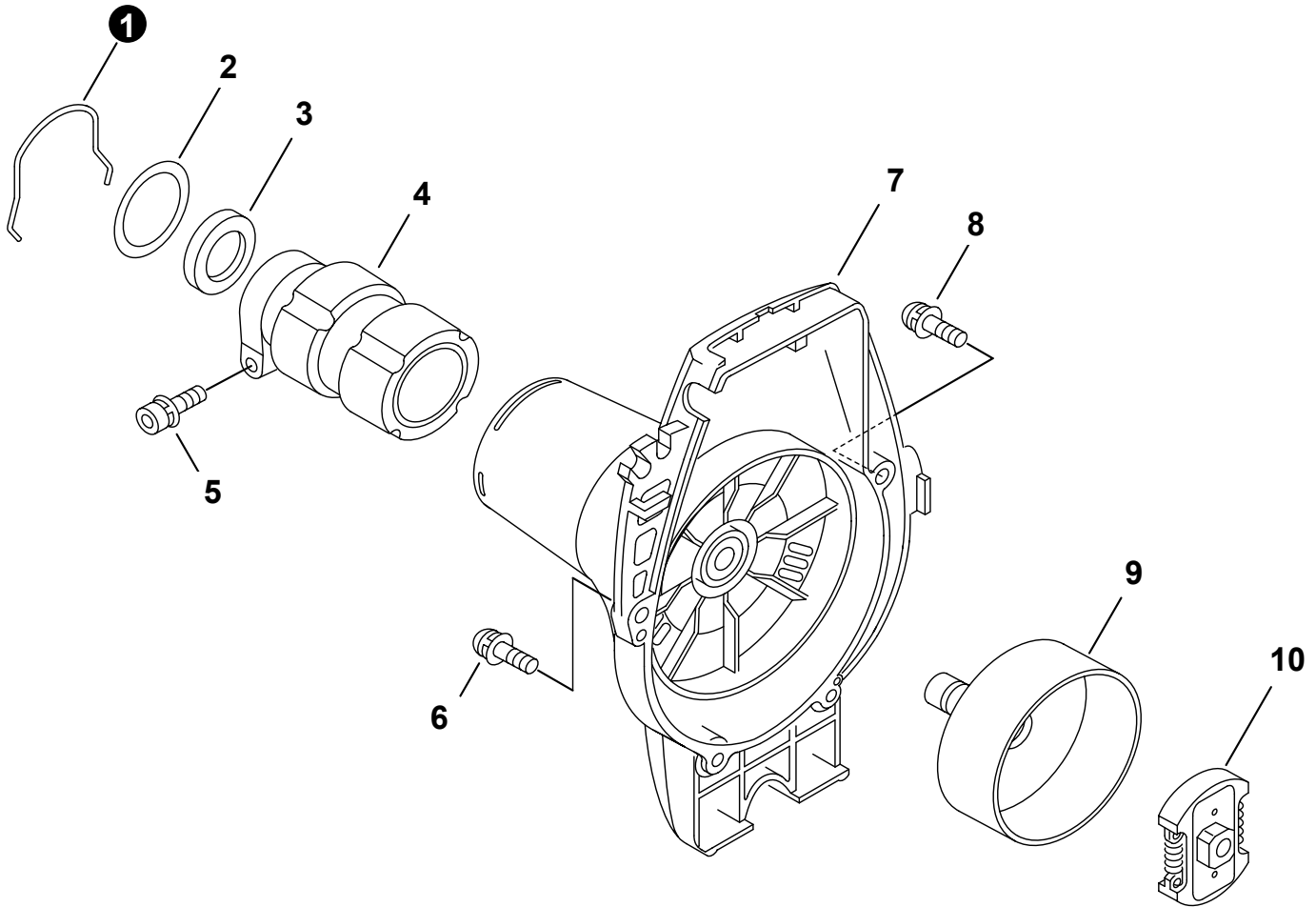
| NO. | PART NUMBER | QTY. | DESCRIPCIÓN | DESCRIPTION |
|-----|-------------|------|---------------------|----------------------|
| 1 | V485001080 | 1 | CABLE DE ENCENDIDO | LEAD - IGNITION |
| 2 | 90016204022 | 2 | TORNILLO 4x22 | SCREW 4x22 |
| 3 | 15660152131 | 1 | BOBINA DE ENCENDIDO | COIL, IGNITION |
| 4 | 15611240630 | 1 | OJAL | GROMMET |
| 5 | 15901203433 | 1 | TAPA DE BUJÍA | CAP, SPARK PLUG |
| 6 | 15901103432 | 1 | TERMINAL DE BUJÍA | TERMINAL, SPARK PLUG |
| 7 | 15901010230 | 1 | BUJÍA - BPMR7A | SPARK PLUG - BPMR7A |
| 8 | A409000100 | 1 | VOLANTE | FLYWHEEL |



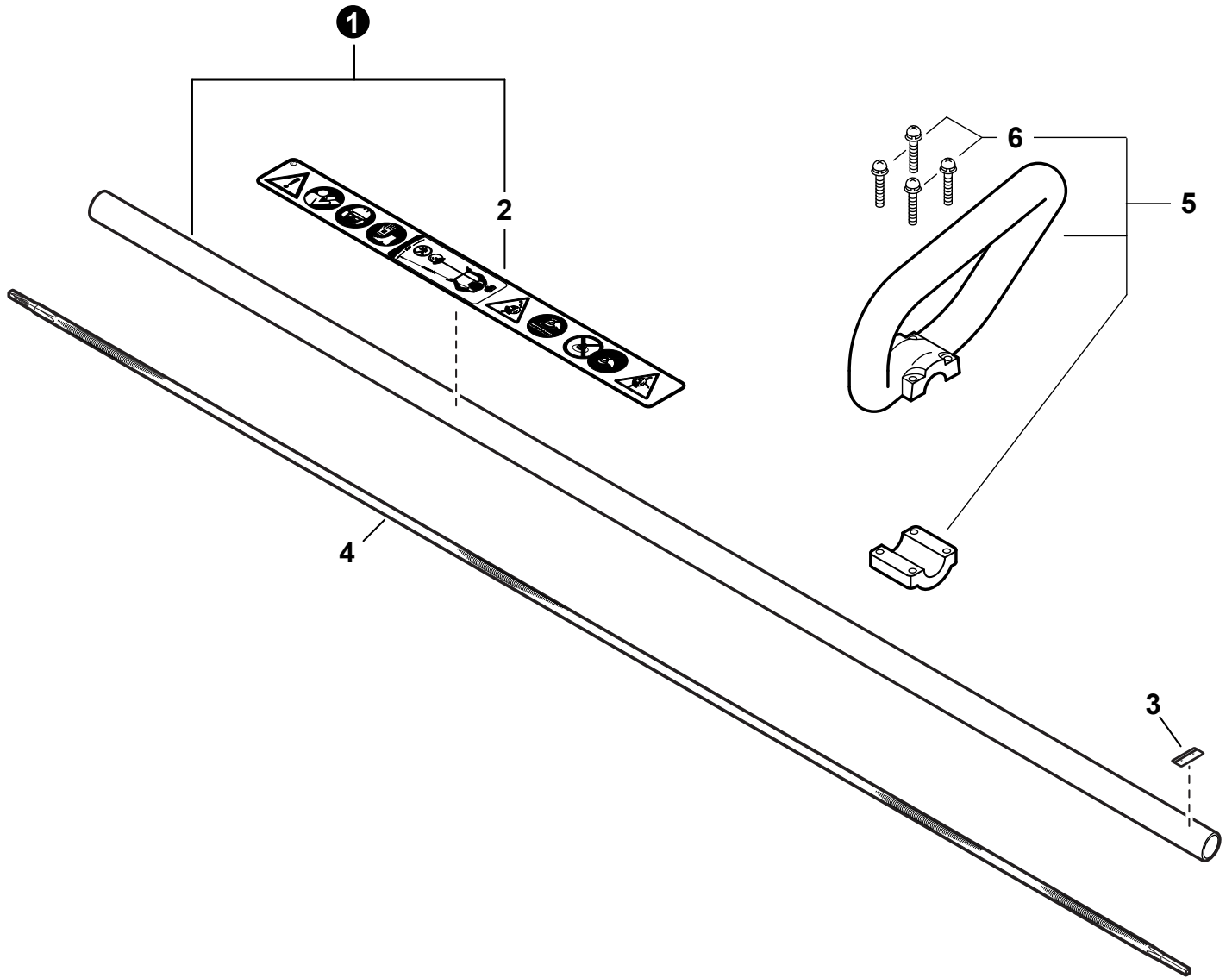
| NO. | PART NUMBER | QTY. | DESCRIPCIÓN | DESCRIPTION |
|-----|-------------|------|--------------------------------------|----------------------|
| 1 | A052000180 | 1 | MONTAJE DE TRINQUETE | PAWL ASSY, STARTER |
| 2 | P022002100 | 2 | +RETENEDOR TIPO "E" 4 | +E-RING 4 |
| 3 | 17723412220 | 2 | +RESORTE DE RETORNO | +SPRING, RETURN |
| 4 | P022006850 | 2 | +TRINQUETE | +PAWL, STARTER |
| 5 | A051001411 | 1 | MONTAJE DE ARRANCADOR AUTORRETRÁCTIL | STARTER ASSY, RECOIL |
| 6 | V253000310 | 1 | +TORNILLO 5 | +SCREW 5 |
| 7 | A525000020 | 1 | +PLACA DE LEVA | +PLATE, CAM |
| 8 | P022008270 | 1 | +RESORTE DE TORSIÓN | +SPRING, TORSION |
| 9 | A506000500 | 1 | +CARRETE DE CUERDA | +REEL, ROPE |
| 10 | P022025730 | 1 | +CUERDA DEL ARRANCADOR | +ROPE, STARTER |
| 11 | P022019680 | 1 | +RESORTE RECULAR | +SPRING, RECOIL |
| 12 | P022036700 | 1 | +AGARRE DEL ARRANCADOR | +GRIP, STARTER |
| 13 | 90023804016 | 2 | TORNILLO 4x16 | SCREW 4x16 |



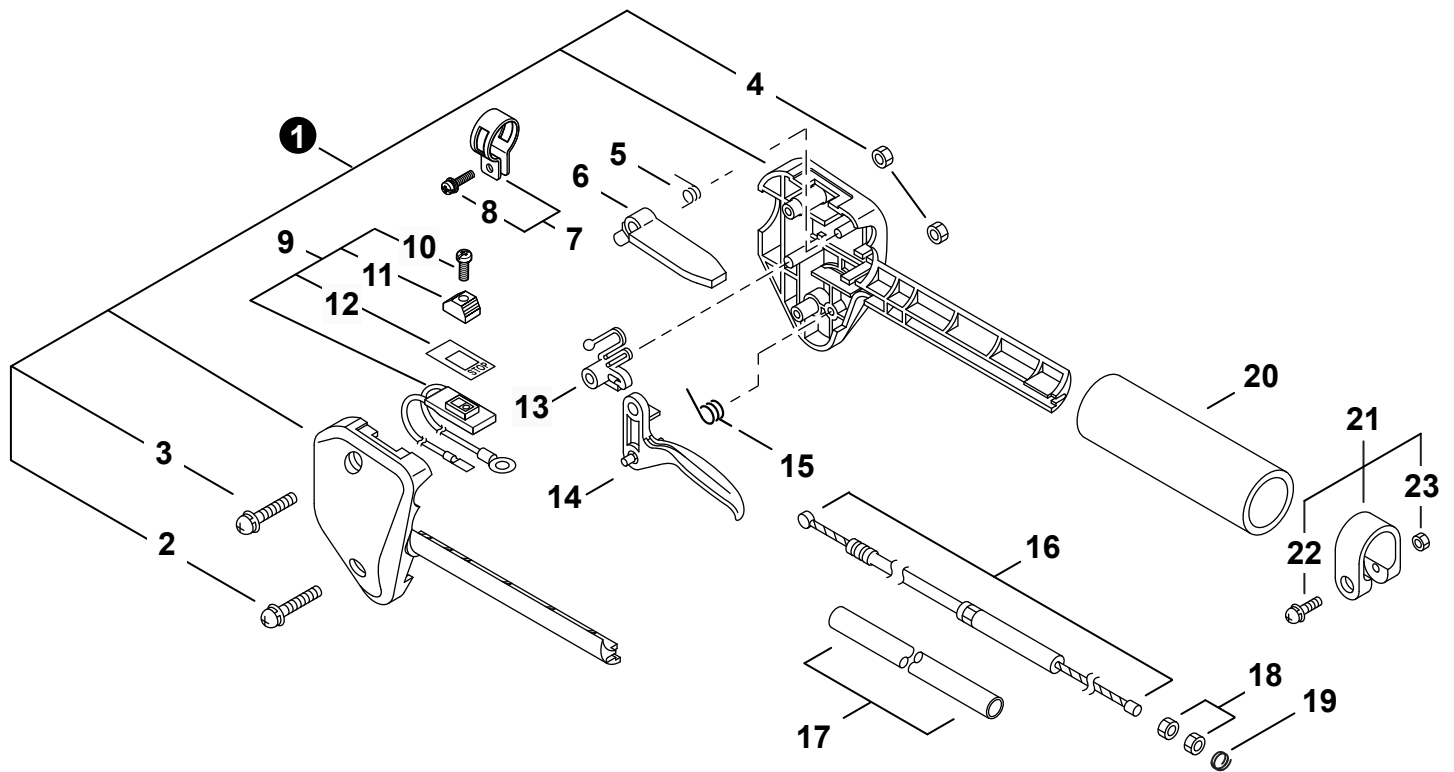
| NO. | PART NUMBER | QTY. | DESCRIPCIÓN | DESCRIPTION |
|-----|-------------|------|---------------------------------------|--------------------------|
| 1 | V471001191 | 1 | TUBO DE COMBUSTIBLE 3x5x180 NEGRO | PIPE, FUEL 3x5x180 BLACK |
| 2 | 13271750430 | 1 | TUBO DE RETORNO 3x6x70 | PIPE, FUEL RETURN 3x6x70 |
| 3 | 13130056431 | 1 | VÁLVULA DE RESPIRADERO | VENT ASSY |
| 4 | 13011100530 | 1 | SUJETADOR 5.5 | CLIP 5.5 |
| 5 | V471001201 | 1 | TUBO DE COMBUSTIBLE 3x5x70 NEGRO | PIPE, FUEL 3x5x70 BLACK |
| 6 | 13211546730 | 1 | OJAL DE COMBUSTIBLE 5 | GROMMET, FUEL 5 |
| 7 | V490001240 | 1 | SUJETADOR 6 | CLIP 6 |
| 8 | A369000480 | 1 | FILTRO DE COMBUSTIBLE | FILTER, FUEL |
| 9 | P021012211 | 1 | MONTAJE DE TAPA DE COMBUSTIBLE | CAP ASSY, FUEL |
| 10 | V107000190 | 1 | +EMPAQUETADURA DE TAPA DE COMBUSTIBLE | +GASKET, FUEL CAP |
| 11 | A365000060 | 1 | +CONECTOR DE TAPA L= 123 | +CONNECTOR, CAP L= 123 |
| 12 | A350000032 | 1 | TANQUE DE COMBUSTIBLE | TANK, FUEL |
| 13 | 13104528230 | 2 | +ESPACIADOR 6.2x7.8x6 | +SPACER 6.2x7.8x6 |
| 14 | 90024305016 | 2 | TORNILLO 5x16 | SCREW 5x16 |



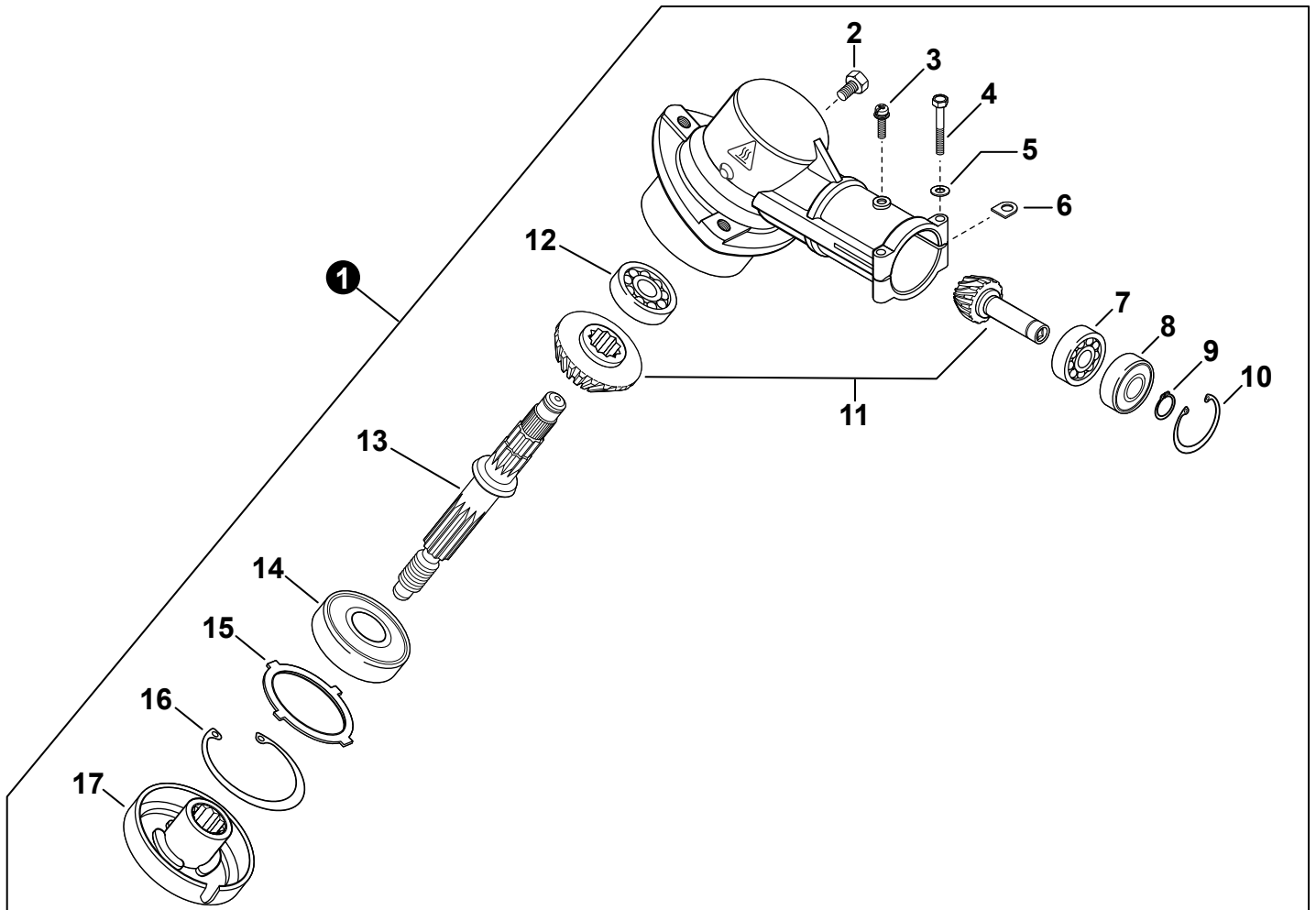
| NO. | PART NUMBER | QTY. | DESCRIPCIÓN | DESCRIPTION |
|-----|-------------|------|-----------------------------|-----------------------|
| 1 | 66031655630 | 1 | SUJETADOR | CLIP |
| 2 | V315000030 | 1 | ARANDELA 33.5x41.0xT0.5 | WASHER 33.5x41.0xT0.5 |
| 3 | 17531320430 | 1 | EMPAQUE DE FIELTRO | PACKING, FELT |
| 4 | A575000640 | 1 | SUJETADOR DE TUBO PRINCIPAL | HOLDER, MAIN PIPE |
| 5 | 9111805028 | 1 | PERNO 5x28 | BOLT 5x28 |
| 6 | V202000080 | 1 | TORNILLO 4x16 | SCREW 4x16 |
| 7 | A172002790 | 1 | CUBIERTA DE VENTILADOR | COVER, FAN |
| 8 | 9136304016 | 3 | TORNILLO 4x16 | SCREW 4x16 |
| 9 | 17500544331 | 1 | TAMBOR DE EMBRAGUE | DRUM, CLUTCH |
| 10 | 17500056831 | 1 | MONTAJE DE EMBRAGUE | CLUTCH ASSY |



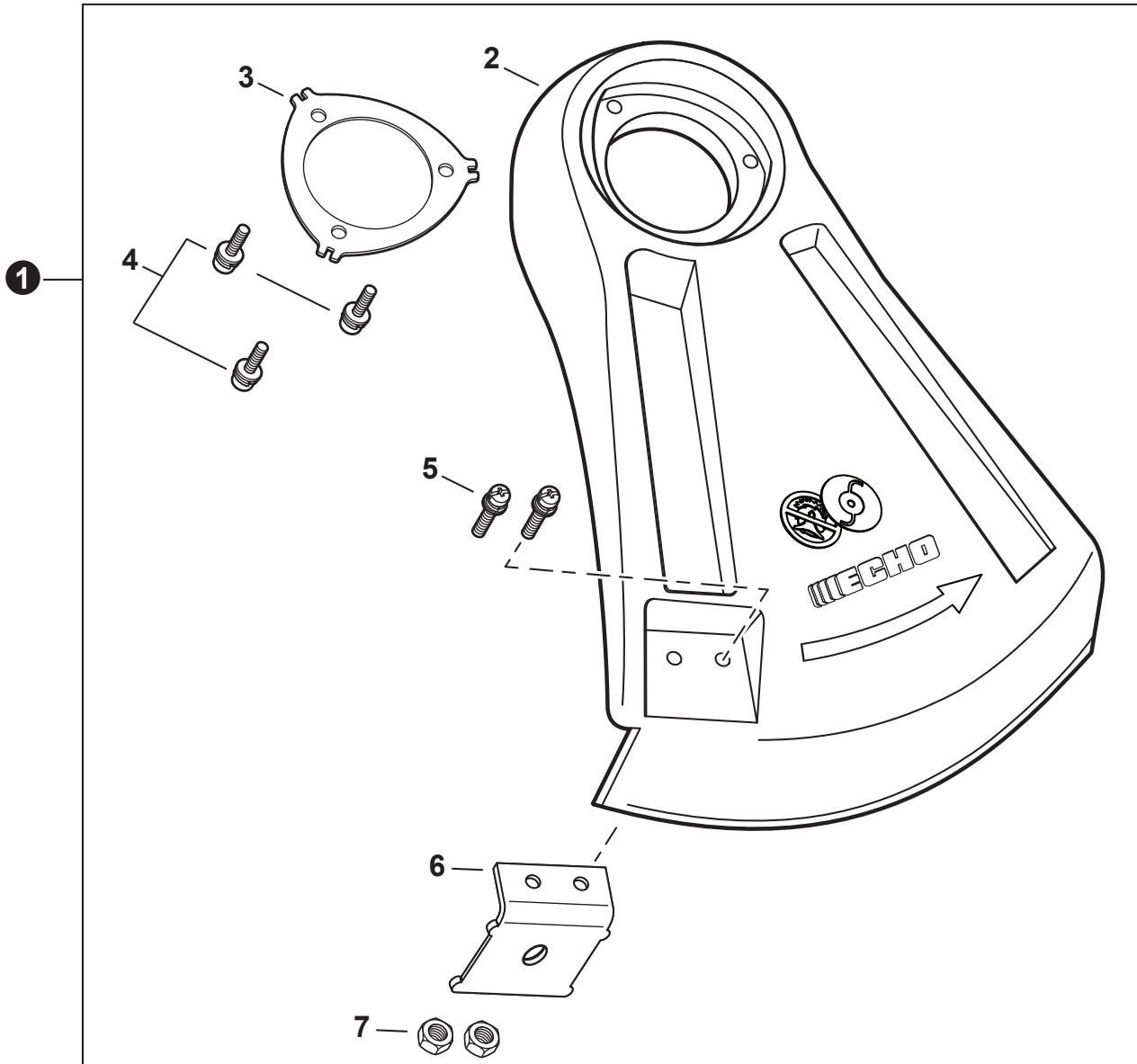
| NO. | PART NUMBER | QTY. | DESCRIPCIÓN | DESCRIPTION |
|-----|-------------|------|-----------------------------|-----------------------|
| 1 | P021039930 | 1 | MONTAJE DE TUBO PRINCIPAL | MAIN PIPE ASSY |
| 2 | X505000140 | 1 | +ETIQUETA DE PRECAUCIÓN ISO | +LABEL - ISO CAUTION |
| 3 | 89015204930 | 1 | ETIQUETA - ALINEACIÓN | LABEL - ALIGNMENT |
| 4 | C506000390 | 1 | EJE DE MANDO - FLEXIBLE | DRIVESHAFT - FLEXIBLE |
| 5 | P021012400 | 1 | MONTAJE DE MANGO DE LAZO | HANDLE ASSY - LOOP |
| 6 | 90024205035 | 4 | +TORNILLO 5x35 | +SCREW 5x35 |



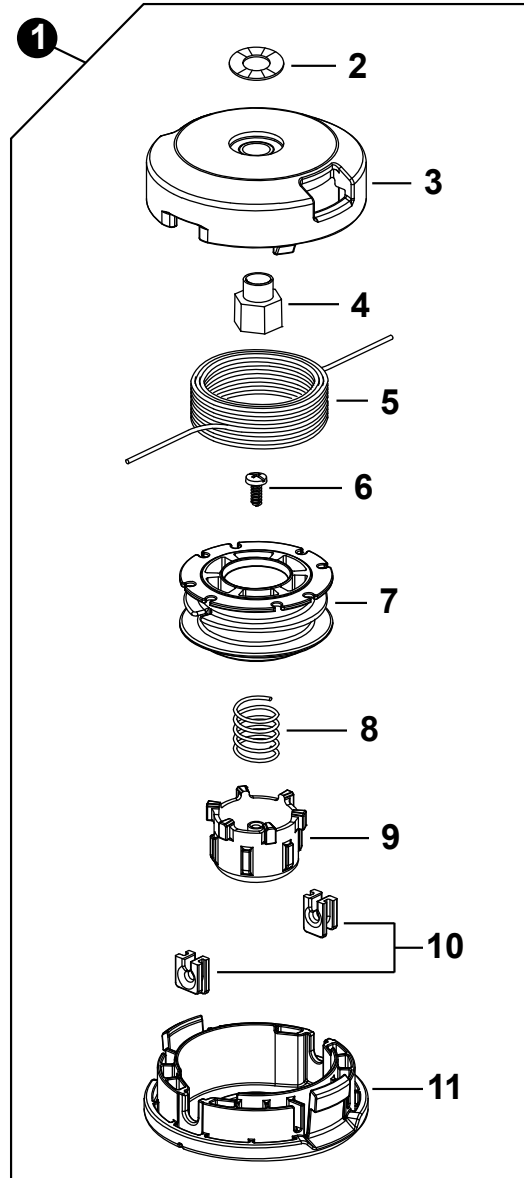
| NO. | PART NUMBER | QTY. | DESCRIPCIÓN | DESCRIPTION |
|-----|-------------|------|----------------------------------|--------------------------|
| 1 | 17800352130 | 1 | JUEGO DE MANGO PARA CONTROL | HANDLE KIT, CONTROL |
| 2 | 90024205025 | 1 | +TORNILLO 5x25 | +SCREW 5x25 |
| 3 | 90024205035 | 1 | +TORNILLO 5x35 | +SCREW 5x35 |
| 4 | 90050000005 | 2 | +TUERCA M5 | +NUT M5 |
| 5 | 17801352630 | 1 | RESORTE DE TORSIÓN | SPRING, TORSION |
| 6 | 17809052632 | 1 | PALANCA SEGURO DEL ACELERADOR | LEVER, THROTTLE LOCKOUT |
| 7 | 30120029431 | 1 | JUEGO DE ABRAZADERA | CLAMP KIT |
| 8 | 90024205014 | 1 | +TORNILLO 5x14 | +SCREW 5x14 |
| 9 | A440000651 | 1 | INTERRUPTOR DE ENCENDIDO-APAGADO | SWITCH, ON-OFF |
| 10 | 9154503010 | 1 | +TORNILLO 3x10 | +SCREW 3x10 |
| 11 | 16341049231 | 1 | +BOTÓN DE INTERRUPTOR - NARANJA | +KNOB, SWITCH - ORANGE |
| 12 | 89015712330 | 1 | +ETIQUETA - INTERRUPTOR | +LABEL - SWITCH |
| 13 | 17801252630 | 1 | SEGURO DEL ACELERADOR | LOCKOUT, THROTTLE |
| 14 | 17801052130 | 1 | GATILLO DEL ACELERADOR | TRIGGER, THROTTLE |
| 15 | 17804342230 | 1 | RESORTE DE TORSIÓN | SPRING, TORSION |
| 16 | V430001520 | 1 | CABLE DEL ACELERADOR 320x77.5 | CABLE, THROTTLE 320x77.5 |
| 17 | 17812724430 | 1 | TUBO 10x11x180 | PIPE, 10x11x180 |
| 18 | 90050200006 | 2 | TUERCA M6 | NUT M6 |
| 19 | V490000440 | 1 | SUJETADOR | CLIP |
| 20 | C403000140 | 1 | AGARRE | GRIP, HANDLE |
| 21 | 61027252130 | 1 | JUEGO DE ABRAZADERA | CLAMP KIT |
| 22 | 90024205028 | 1 | +TORNILLO 5x28 | +SCREW 5x28 |
| 23 | 90050000005 | 1 | +TUERCA M5 | +NUT M5 |



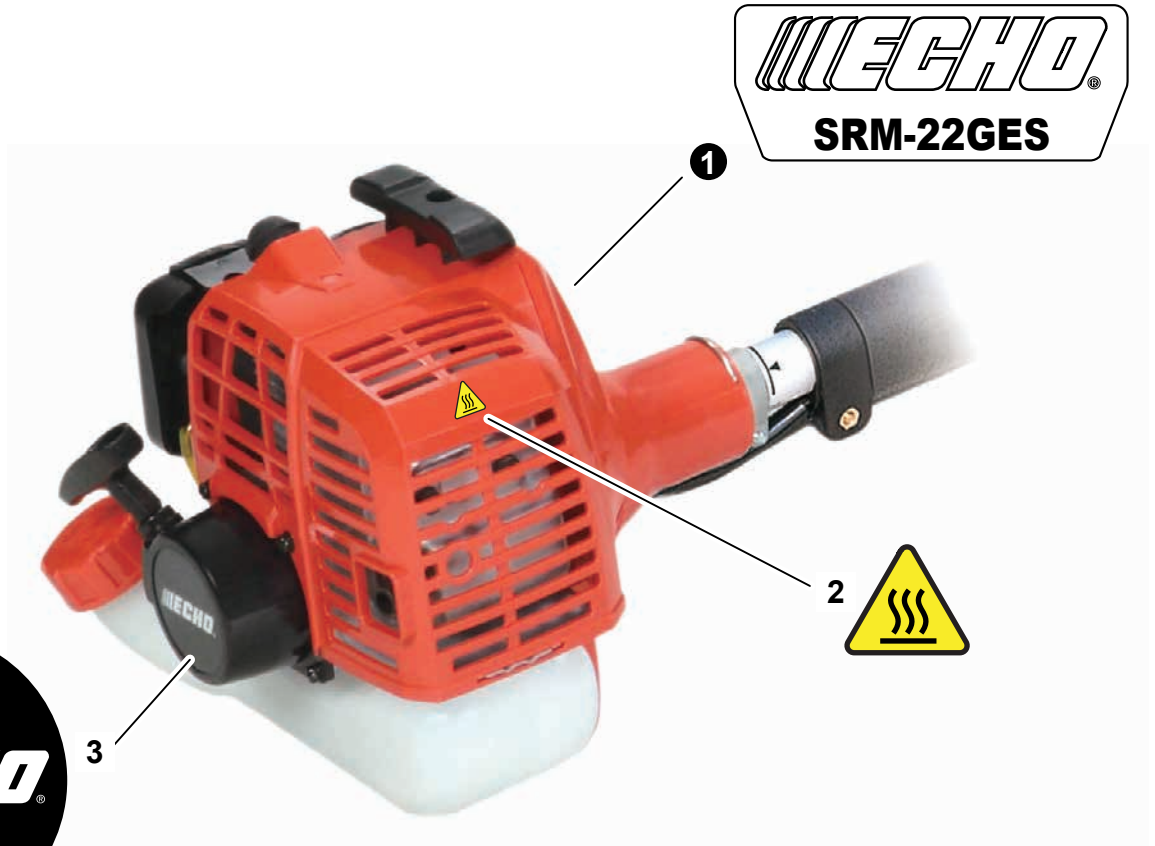
| NO. | PART NUMBER | QTY. | DESCRIPCIÓN | DESCRIPTION |
|-----|-------------|------|-------------------------------|--------------------------|
| 1 | P021054170 | 1 | MONTAJE DE CAJA DE ENGRANAJES | GEAR CASE ASSY |
| 2 | 61043450031 | 1 | +PERNO M8x8 | +BOLT M8x8 |
| 3 | 90024205010 | 1 | +TORNILLO 5x10 | +SCREW 5x10 |
| 4 | 9111905035 | 2 | +PERNO CB-5x35 HSH | +BOLT HSH CB-5x35 |
| 5 | 90060000005 | 2 | +ARANDELA 5.5x10x0.8 | +WASHER, FLAT 5.5x10x0.8 |
| 6 | 61023904130 | 2 | +ARANDELA D | +D-WASHER |
| 7 | 90085506900 | 1 | +COJINETE DE BOLAS 6900 | +BEARING, BALL 6900 |
| 8 | 90085806900 | 1 | +COJINETE DE BOLAS 6900Z | +BEARING, BALL 6900Z |
| 9 | 90070600010 | 1 | +ANILLO RETENEDOR 10 | +RING, SNAP 10 |
| 10 | 90070200022 | 1 | +ANILLO RETENEDOR 22 | +RING, SNAP 22 |
| 11 | 61030044830 | 1 | +JUEGO DE ENGRANAJES | +GEAR SET |
| 12 | 90080000609 | 1 | +COJINETE DE BOLAS 609 | +BEARING, BALL 609 |
| 13 | C534000270 | 1 | +EJE DE ENGRANAJE | +SHAFT, GEAR |
| 14 | 90081206201 | 1 | +COJINETE DE BOLAS 6201 | +BEARING, BALL 6201 |
| 15 | V340000180 | 1 | +ARANDELA | +WASHER |
| 16 | 90070200032 | 1 | +ANILLO RETENEDOR 32 | +RING, SNAP 32 |
| 17 | C535001240 | 1 | +PLACA DEL ADAPTADOR SUPERIOR | +PLATE, ADAPTOR - UPPER |



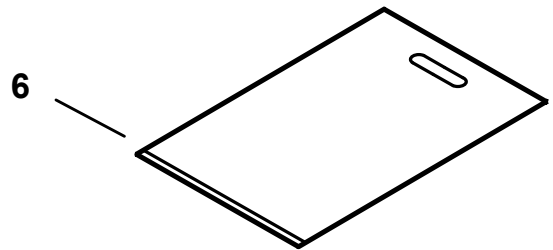
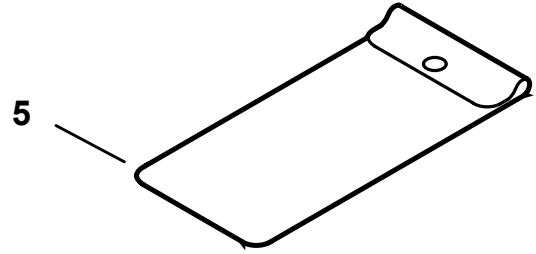
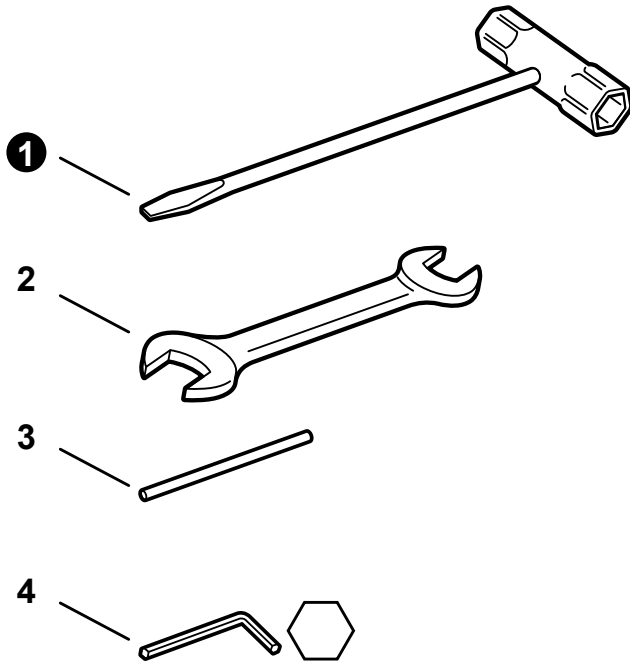
| NO. | PART NUMBER | QTY. | DESCRIPCIÓN | DESCRIPTION |
|-----|-------------|------|-------------------------------------|-------------------------|
| 1 | P021009532 | 1 | JUEGO DE PROTECTOR CONTRA RESIDUOS | SHIELD KIT, DEBRIS |
| 2 | C550000032 | 1 | +PROTECTOR CONTRA RESIDUOS PLÁSTICO | +SHIELD, DEBRIS PLASTIC |
| 3 | C552000240 | 1 | +PLACA DE PROTECTOR | +PLATE, SHIELD |
| 4 | 90023805016 | 3 | +TORNILLO 5x16 | +SCREW 5x16 |
| 5 | 90023805012 | 2 | +TORNILLO 5x12 | +SCREW 5x12 |
| 6 | C554000021 | 1 | +CUCHILLA DEL HILO | +CUTTER, LINE |
| 7 | 90050000005 | 2 | +TUERCA M5 | +NUT M5 |



| NO. | PART NUMBER | QTY. | DESCRIPCIÓN | DESCRIPTION |
|-----|-------------|------|-------------------------|----------------------|
| 1 | X047000570 | 1 | CABEZAL DE CORTE | TRIMMER HEAD |
| 2 | V332000020 | 1 | +ARANDELA 24 | +WASHER 24 |
| 3 | P022025540 | 1 | +CUBIERTA DEL CARRETE | +COVER, SPOOL |
| 4 | P022025610 | 1 | +BUJE | +BUSHING |
| 5 | P022025600 | 1 | +LÍNEA DE CORTE - NILÓN | +LINE, NYLON TRIMMER |
| 6 | P022025580 | 1 | +TORNILLO | +SCREW |
| 7 | P022025550 | 1 | +CARRETE | +SPOOL |
| 8 | P022025570 | 1 | +RESORTE | +SPRING |
| 9 | P022025560 | 1 | +BOTÓN | +BUTTON |
| 10 | P022025590 | 2 | +OJAL | +EYELET |
| 11 | P022025530 | 1 | +CAJA DEL CARRETE | +HOUSING, SPOOL |



| NO. | PART NUMBER | QTY. | DESCRIPCIÓN | DESCRIPTION |
|-----|-------------|------|---------------------------------|------------------------|
| 1 | X547001660 | 1 | ETIQUETA SRM-22GES | LABEL - SRM-22GES |
| 2 | X505008220 | 1 | ETIQUETA DE PRECAUCIÓN CALIENTE | LABEL - CAUTION - HOT |
| 3 | X502000890 | 1 | ETIQUETA ARRANCADOR | LABEL - RECOIL STARTER |



| NO. | PART NUMBER | QTY. | DESCRIPCIÓN | DESCRIPTION |
|-----|-------------|------|-----------------------------------|------------------------|
| 1 | X602000020 | 1 | LLAVE EN T 17x19 L200 | T-WRENCH 17x19 L200 |
| 2 | 89511200330 | 1 | LLAVE DE TUERCAS 8x10 | SPANNER 8x10 |
| 3 | X606000080 | 1 | HERRAMIENTA DE SEGURIDAD 5x120 MM | TOOL, LOCKING 5x120 MM |
| 4 | X605000100 | 1 | LLAVE ALLEN 4 MM | WRENCH, ALLEN 4 MM |
| 5 | 89851039130 | 1 | BOLSA DE HERRAMIENTAS | BAG, TOOL |
| 6 | X698000040 | 1 | CAJA DE HERRAMIENTAS | CASE, TOOL |

| NO. | PART NUMBER | QTY. | DESCRIPCIÓN | DESCRIPTION |
|-----|-------------|------|------------------------------------------------------|-----------------------------------------|
| 1 | 90014 | 1 | TUBO AL POR MAYOR 3x5 MM NEGRO (4 PIEZASx2 M) | BULK PIPE - 3x5 MM BLACK (4 PIECESx2 M) |
| 2 | 90015 | 1 | TUBO AL POR MAYOR 3x6 MM NEGRO (4 PIEZASx2 M) | BULK PIPE - 3x6 MM BLACK (4 PIECESx2 M) |
| 3 | 90016 | 1 | TUBO AL POR MAYOR 3x7 MM NEGRO (4 PIEZASx2 M) | BULK PIPE - 3x7 MM BLACK (4 PIECESx2 M) |
| 4 | 90017 | 1 | TUBO AL POR MAYOR 3x6 MM TRANSPARENTE (4 PIEZASx2 M) | BULK PIPE - 3x6 MM CLEAR (4 PIECESx2 M) |
| 5 | 90018 | 1 | TUBO AL POR MAYOR 2x4 MM TRANSPARENTE (4 PIEZASx2 M) | BULK PIPE - 2x4 MM CLEAR (4 PIECESx2 M) |

Cuerda del arrancador al por mayor
Bulk Starter Rope

| NO. | PART NUMBER | QTY. | DESCRIPCIÓN | DESCRIPTION |
|-----|-------------|------|------------------------------------------------|---------------------------------|
| 1 | 99944435000 | 1 | CUERDA DEL ARRANCADOR AL POR MAYOR 2.3 MMx61 M | BULK STARTER ROPE - 2.3 MMx61 M |
| 2 | 99944440000 | 1 | CUERDA DEL ARRANCADOR AL POR MAYOR 3.0 MMx61 M | BULK STARTER ROPE - 3.0 MMx61 M |
| 3 | 99944445000 | 1 | CUERDA DEL ARRANCADOR AL POR MAYOR 3.5 MMx61 M | BULK STARTER ROPE - 3.5 MMx61 M |
| 4 | 99944450000 | 1 | CUERDA DEL ARRANCADOR AL POR MAYOR 4.0 MMx61 M | BULK STARTER ROPE - 4.0 MMx61 M |
| 5 | 99944455000 | 1 | CUERDA DEL ARRANCADOR AL POR MAYOR 4.4 MMx61 M | BULK STARTER ROPE - 4.4 MMx61 M |
| 6 | 99944460000 | 1 | CUERDA DEL ARRANCADOR AL POR MAYOR 4.8 MMx61 M | BULK STARTER ROPE - 4.8 MMx61 M |