



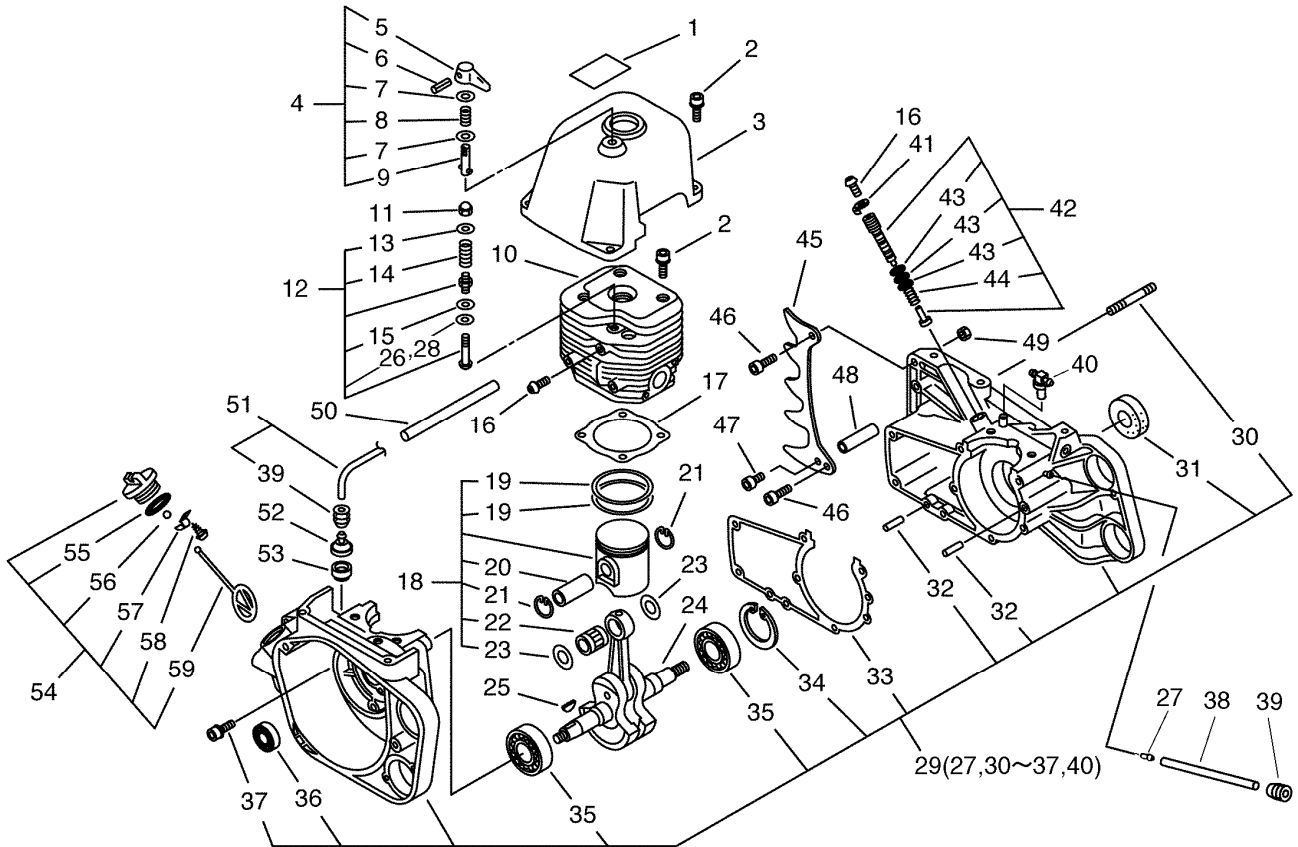
PARTS CATALOG

CHAIN SAW

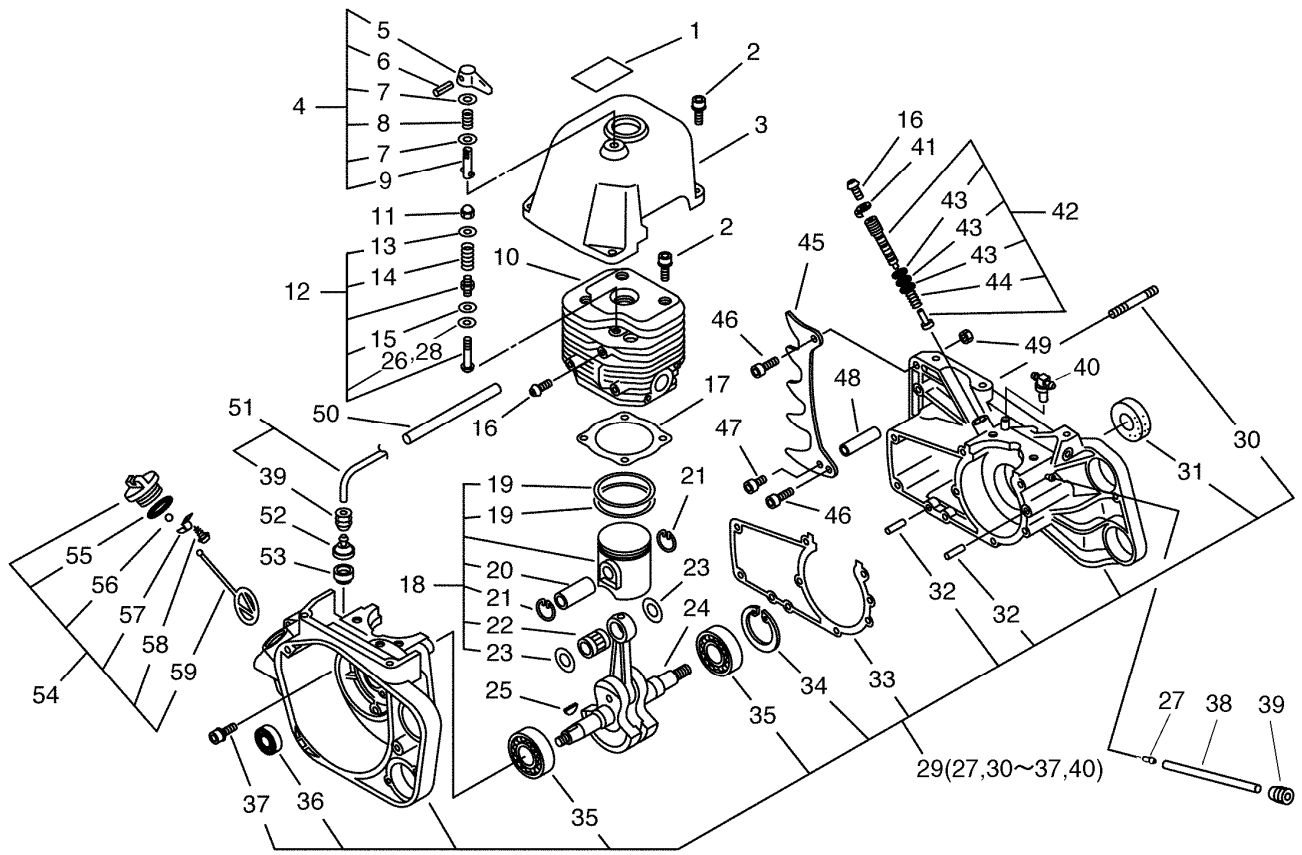
CS-1201

CS-1201

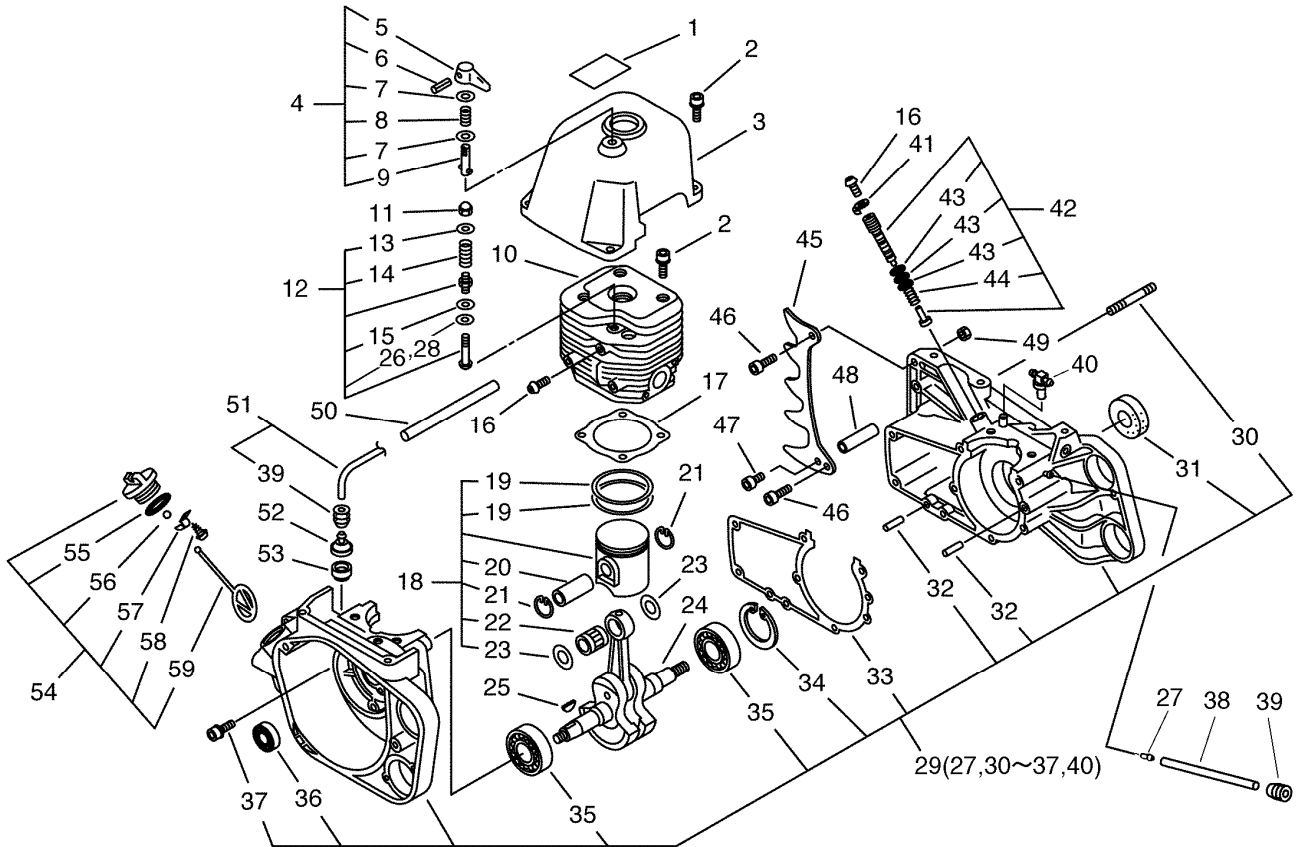
1 CYLINDER, PISTON, CRANKCASE



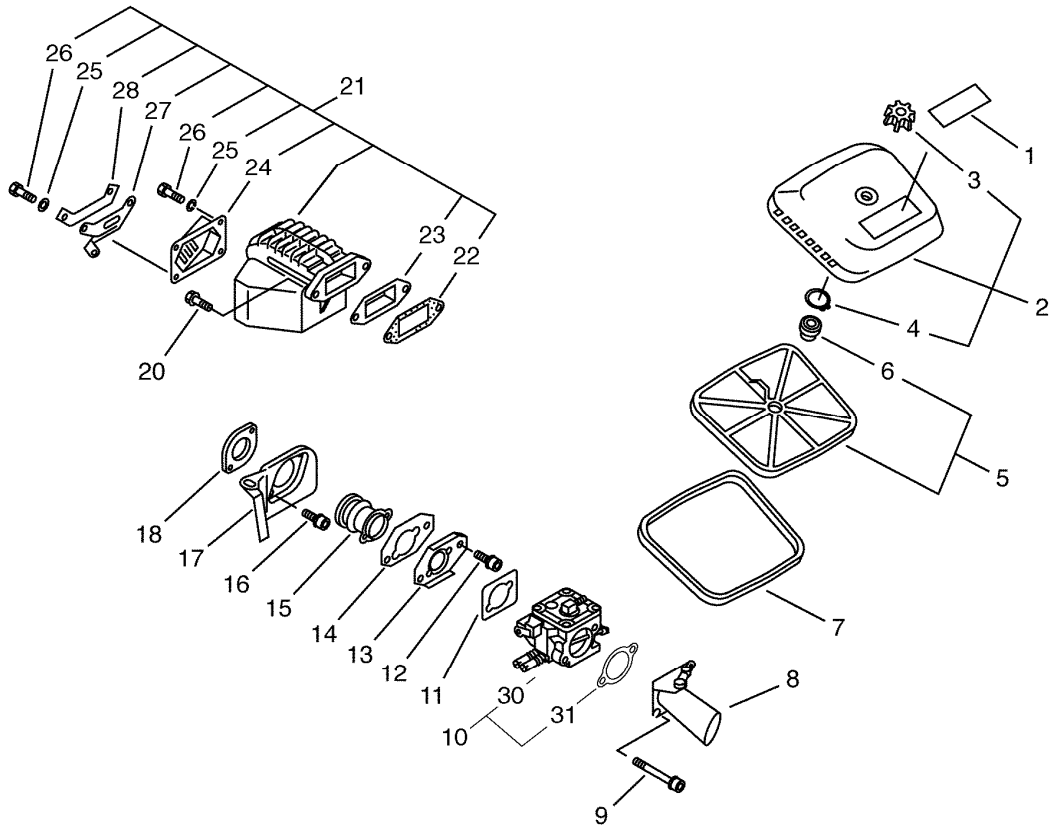
KEY	LV	PART NUMBER	Q'TY	DESCRIPTION	REMARKS
1		89014916430	1	LABEL, COMP. RELEASE	
2		90016206025	7	BOLT, H.S. 6*25	
3		10151416432	1	COVER, CYLINDER	
4		17980532930	1	LEVER, COMP. RELEASE	
5	+	17981516432	1	BUTTON, C, RELEASE	
6	+	90034520014	1	PIN, SPRING 2*14	
7	+	90060000005	2	WASHER 5	
8	+	17981216431	1	SPRING	
9	+	17980616431	1	SHAFT, COMP. RELEASE	
10		10101160730	1	CYLINDER	
11		40091200910	1	NUT, CAP 4	
12		10110016430	1	RELEASE ASSY, COMP.	
13	+	10111402831	1	WASHER, COMP.R.VALVE	
14	+	10111302830	1	SPRING, COMP.R.VALVE	
15	+	10111212430	1	GASKET, V.SEAT 2.0	
26	+	10111232930	1	GASKET, V.SEAT 1.0	
28	+	10111202830	1	GASKET, V.SEAT (1.5)	
16		90022005010	2	SCREW 5*10	
17		10101016431	1	GASKET, CYL. BASE	
18		10000060730	1	PISTON KIT	
19	+	10001116431	2	RING, PISTON	
20	+	10001316430	1	PIN, PISTON	
21	+	10001516430	2	CIRCLIP, PISTON PIN	
22	+	10001216430	1	BEARING, NEEDLE	
23	+	10001460730	2	SPACER, PISTON PIN	
24		10010060731	1	CRANKSHAFT	



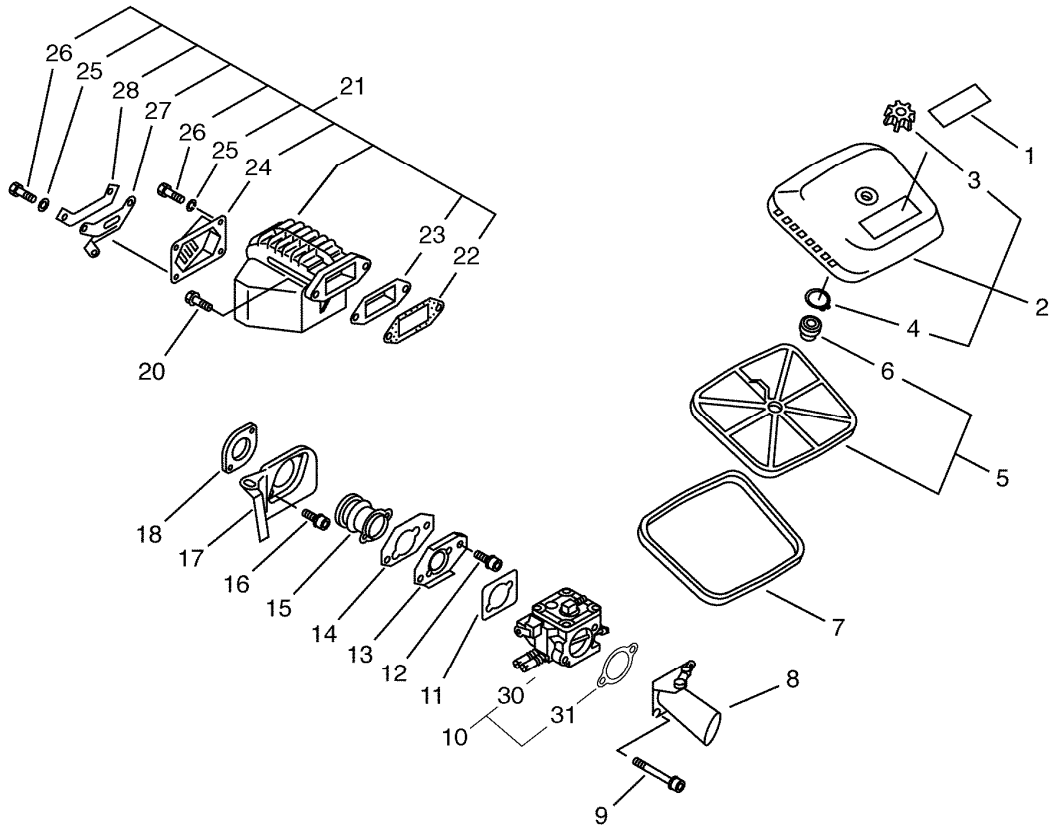
KEY	LV	PART NUMBER	Q'TY	DESCRIPTION	REMARKS
25		10014212330	1	KEY, WOODRUFF	
29		10020416430	1	CRANKCASE KIT	
27	+	13011312330	2	CONNECTER	
30	+	43301116430	2	STUD, GUIDE BAR	
31	+	10021216431	1	OILSEAL	
32	+	10021502830	2	PIN, DOWEL	
33	+	10024216430	1	GASKET, CRANKCASE	
34	+	90070200047	1	CIRCLIP 47	
35	+	90081006204	2	BEARING, BALL 6204	
36	+	10021316430	1	OILSEAL	
37	+	90016206030	8	BOLT, H.S. 6*30	
40	+	43720114730	1	CONNECTOR KIT	
38		13011016430	1	PIPE, IMPULSE	
41		43705911133	1	LOCKWASHER	
42		43700016430	1	AUTO-OILER ASS'Y	
43	+	43702002830	3	O-RING (S-5)	
44	+	43701902830	1	SPRING, OILER	
45		88021016431	1	BUMPER, SPIKED	
46		90010506020	2	BOLT, H.S. 6*20	
47		90016205014	1	BOLT, H.S. 5*14	
48		43302616430	1	CATCHER, CHAIN	
49		14571300630	2	LOCKNUT 6	
50		43741216430	1	TUBE, PROTECTOR	
51		43720516430	1	PIPE	
39	+	13211512330	1	GROMMET	
52		43620514730	1	STRAINER, OIL	



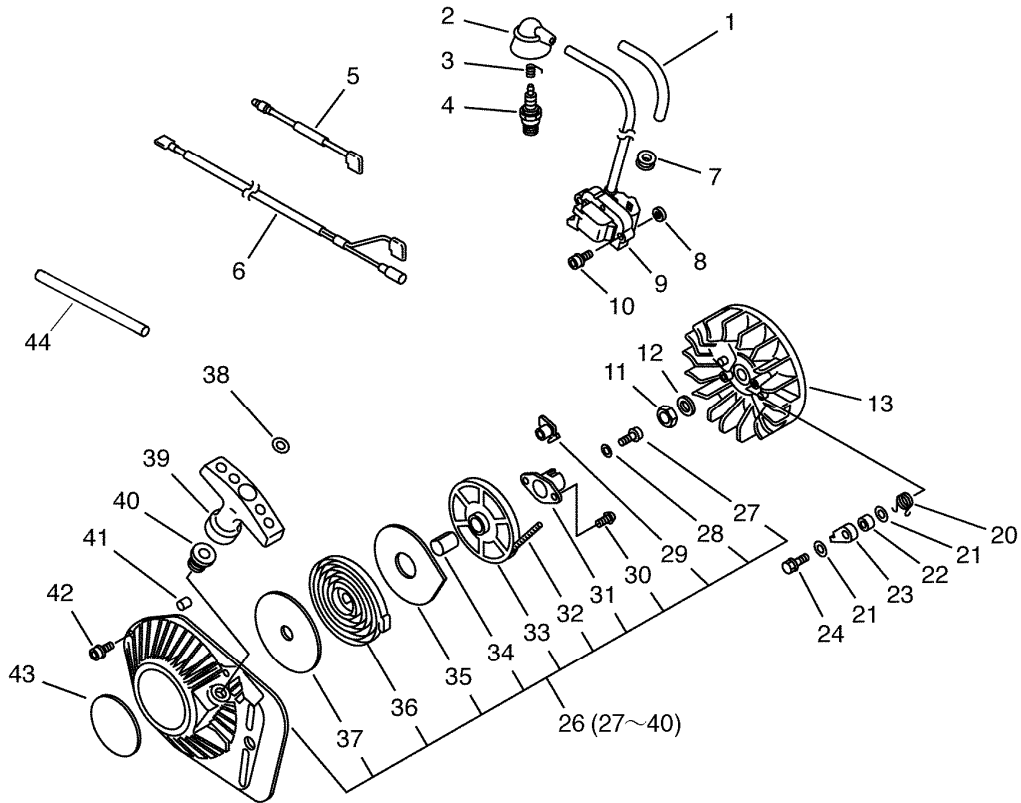
KEY	LV	PART NUMBER	Q'TY	DESCRIPTION	REMARKS
		53	1	COVER, OIL STRAINER	
		54	1	CAP ASSY, OIL TANK	
	+	90072000025	1	O-RING 25	
	+	43602402830	1	VALVE, BALL	
	+	13105019830	1	RETAINER, LINK	
	+	90024603008	1	SCREW 3*8	
	+	13105119830	1	LINK	



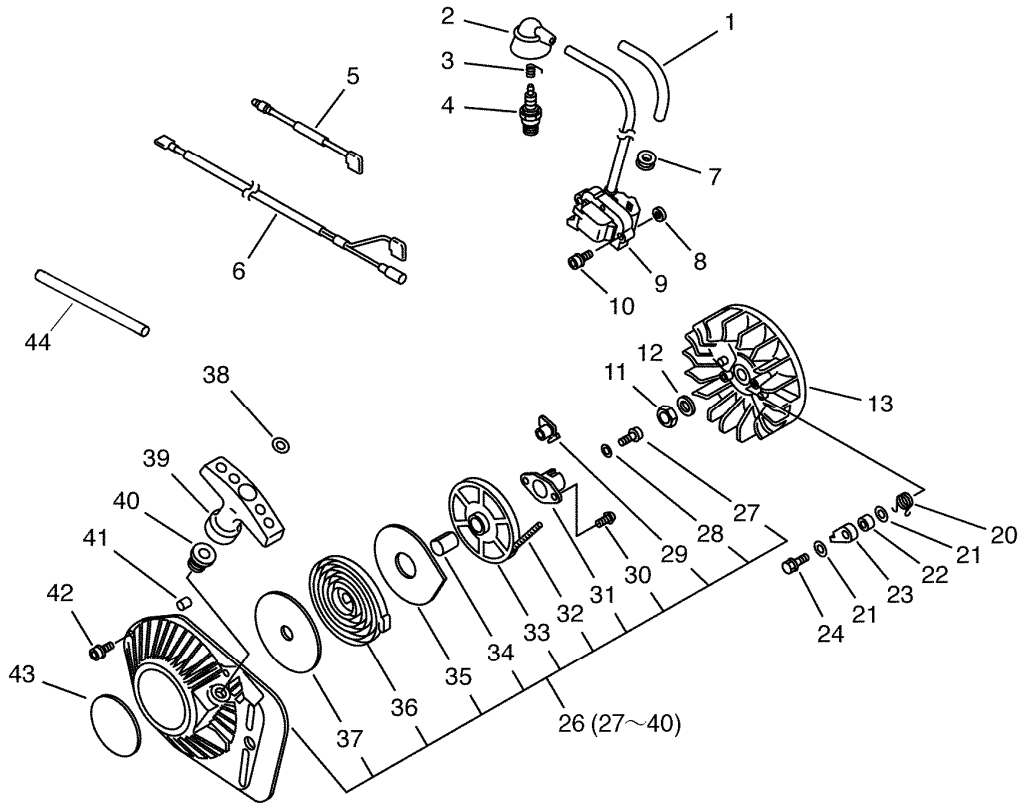
KEY	LV	PART NUMBER	Q'TY	DESCRIPTION	REMARKS
1		89015160730	1	LABEL, MODEL	
2		13030216430	1	COVER ASSY, AIR CLN	
3	+	13040600330	1	NUT, THUMB	
4	+	90070100011	1	CIRCLIP 11	
5		13030516430	1	FILTER, AIR	
6	+	13031216430	1	GASKET, AIR CLEANER	
7		13033116430	1	SEAL, AIR CLEANER	
8		13071416430	1	ADAPTER, INTAKE	
9		90016205050	2	BOLT, H.S. 5*50	
10		P021010271	1	CARBURETOR KIT	
30	+	A021001261	1	CARBURETOR,DIAPHRAGM - WALBRO	
31	+	V103000330	1	GASKET,INTAKE	
11		13003716430	1	SPACER	
12		90016205014	2	BOLT, H.S. 5*14	
13		13001316431	1	ADAPTER, CARBURETOR	
14		13001232930	1	SEAL, DUST	
15		13051016431	1	BELLOWS, INTAKE	
16		90016205020	2	BOLT, H.S. 5*20	
17		13001116430	1	PLATE, WIND PROOF	
18		13051214731	1	HOLDER	
20		90010606025	2	BOLT, H.S. 6*25	
21		14560016430	1	MUFFLER ASSY	
22	+	14551016431	1	GASKET, EXHAUST	
23	+	14563316430	1	DIFFUSER, EXH. PORT	
24	+	14581814730	1	PLATE, EXHAUST	
25	+	17851600830	4	SPACER	



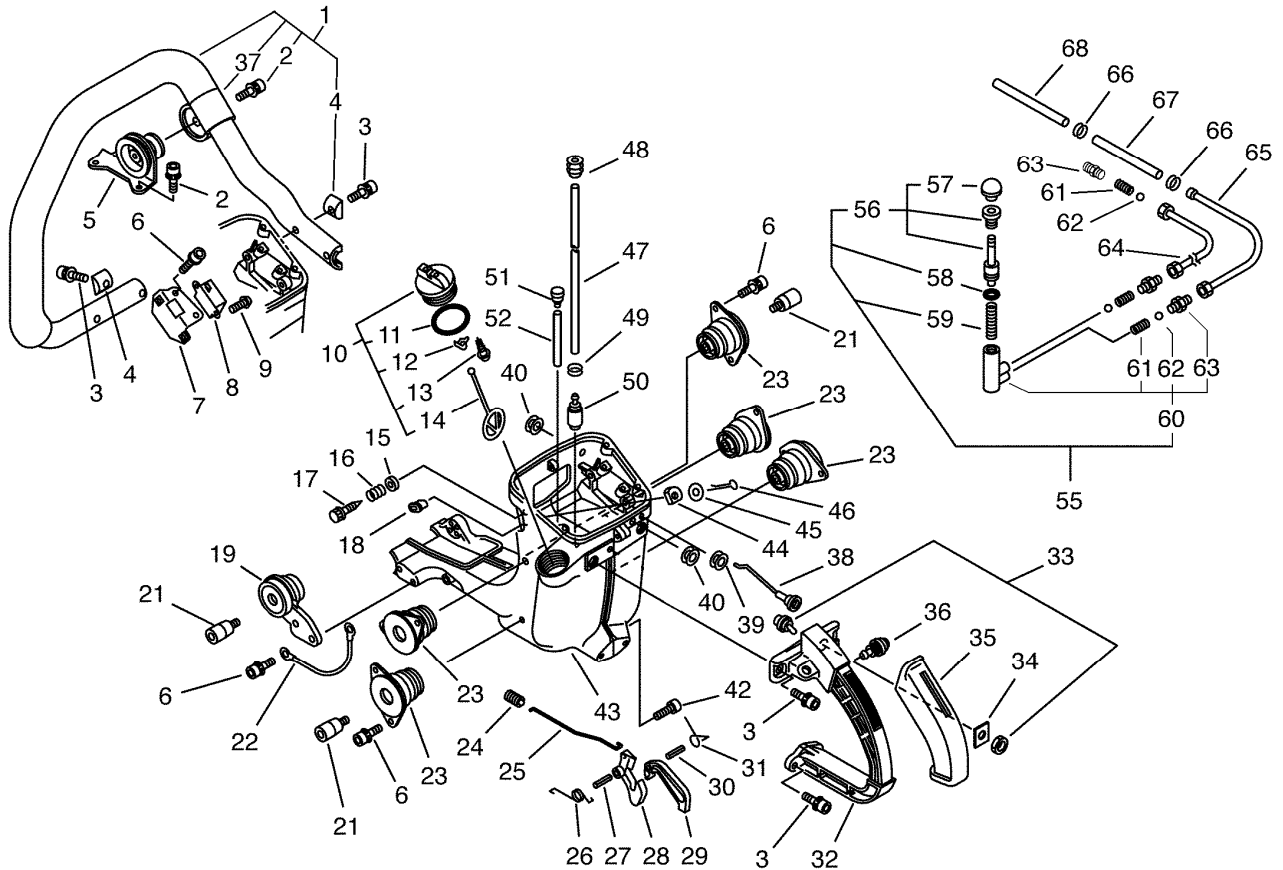
KEY	LV	PART NUMBER	Q'TY	DESCRIPTION	REMARKS
26	+	90015005015	4	BOLT 5*15	
27	+	14572016431	1	BRACKET	
28	+	14564216431	2	WASHER	



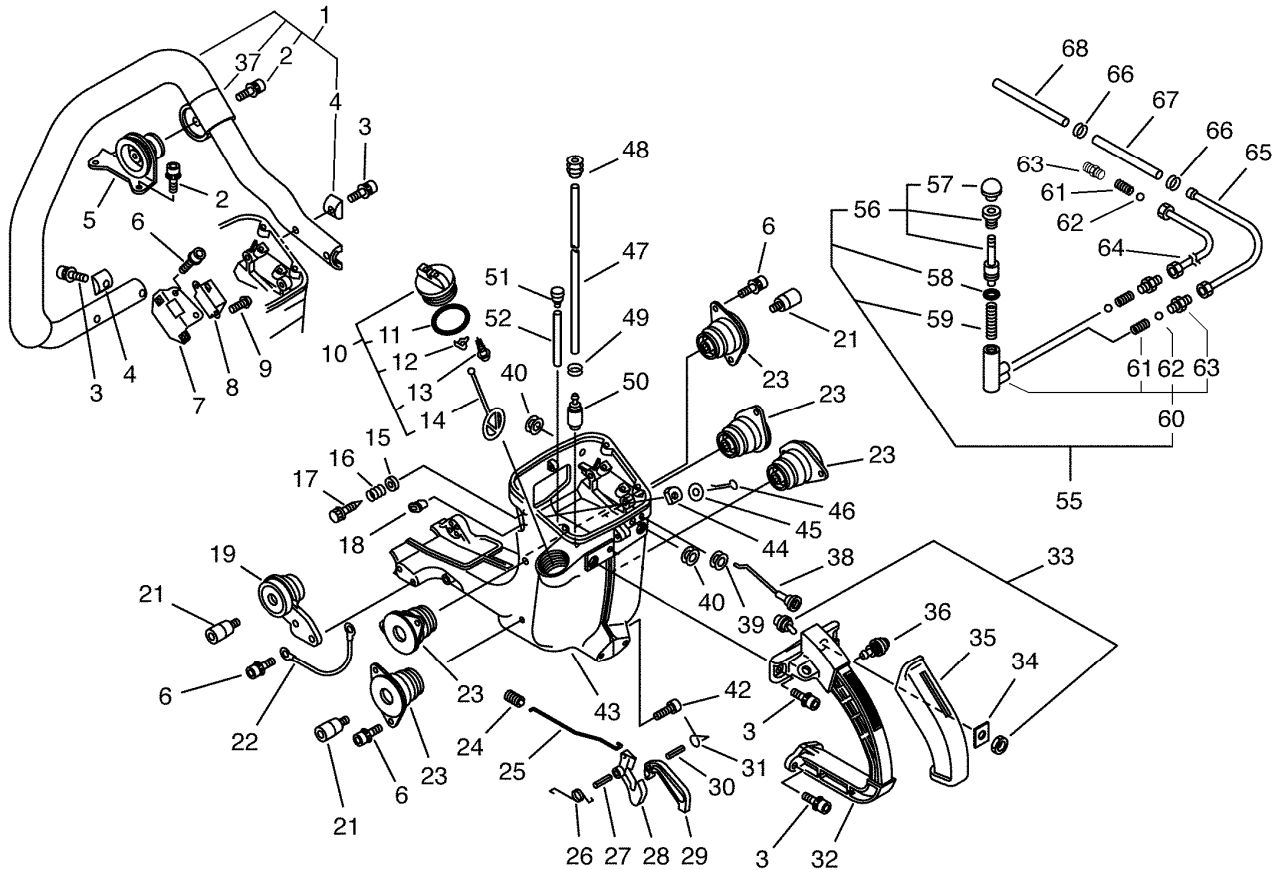
KEY	LV	PART NUMBER	Q'TY	DESCRIPTION	REMARKS
1		43741216430	1	TUBE, PROTECTOR	
2		15901216430	1	CAP, SPARK PLUG	
3		15901103432	1	COIL, SPARK PLUG	
4		15901010630	1	PLUG, SPARK (BPM-7A)	
5		16202160730	1	LEAD	
6		16201060730	1	LEAD, GROUND	
7		15011200310	1	BUSHING	
8		15011716430	2	SPACER	
9		15262660730	1	COIL, IGNITION	
10		90016205025	2	BOLT, H.S. 5*25	
11		10014412331	1	NUT	
12		10014600310	1	WASHER (C-R)	
13		15280060730	1	ROTOR, MAGNETO	
20		17723414730	2	SPRING, RETURN	
21		90060000006	4	WASHER 6	
22		17724702830	2	SPACER, RATCHET	
23		17721802830	2	RATCHET	
24		90010006016	2	BOLT 6*16	
26		17720016432	1	STARTER ASY	
27	+	90016205014	1	BOLT, H.S. 5*14	
28	+	30021700610	1	WASHER	
29	+	17724610631	1	CLIP, STARTER ROPE	
30	+	90024204012	2	SCREW 4*12	
31	+	17724302833	1	CATCHER, PAWL	
32	+	17722614730	1	ROPE, STARTER	
33	+	17721510632	1	DRUM, STARTER	



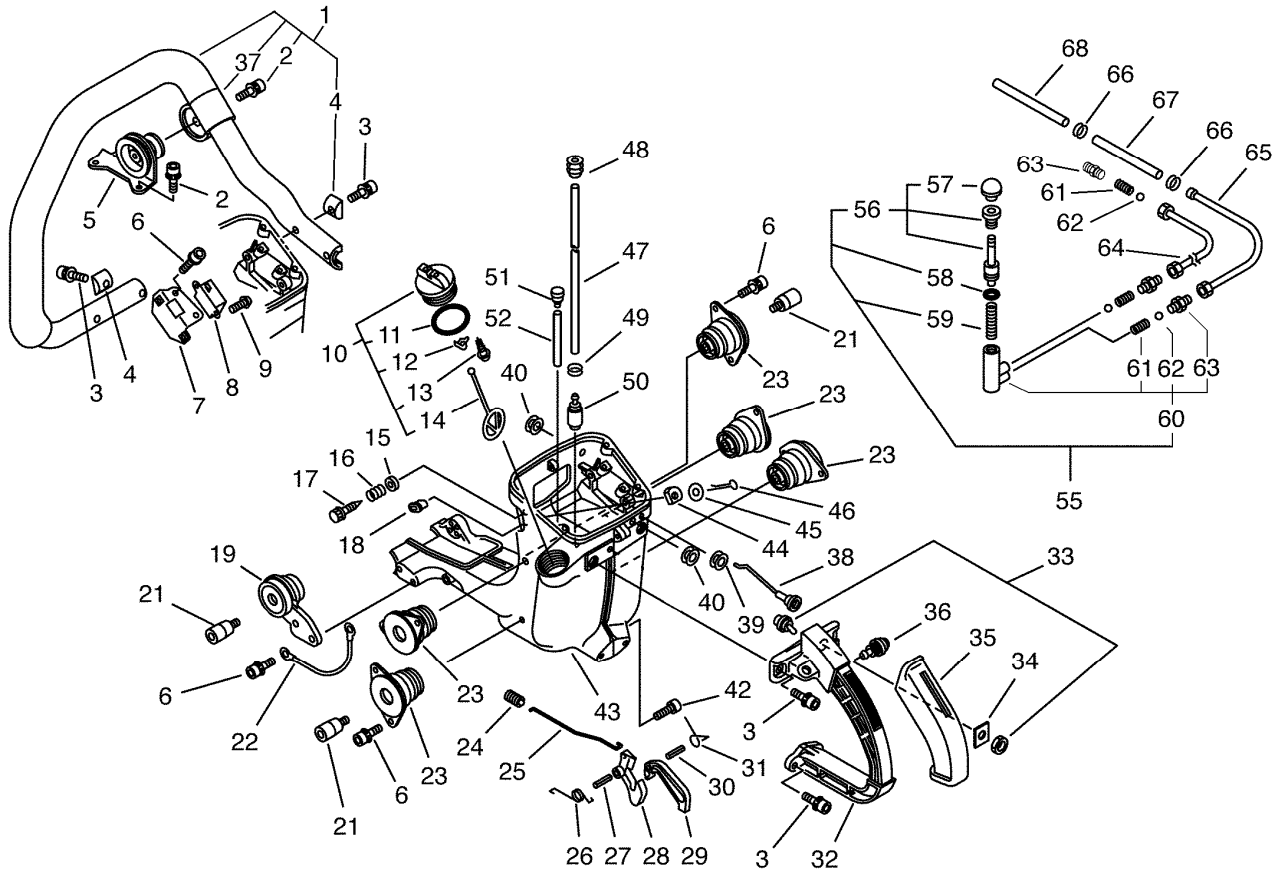
KEY	LV	PART NUMBER	Q'TY	DESCRIPTION	REMARKS
34	+	17721610630	1	COLLAR	
35	+	17724214730	1	PLATE, STARTER	
36	+	17722010631	1	SPRING, REWIND	
37	+	17722110630	1	PLATE, STARTER	
38	+	V323000060	1	WASHER, CIRCULAR 5	
39	+	17722816430	1	GRIP, STARTER	
40	+	17722710630	1	GUIDE, ROPE	
41		10152216430	2	PIN, DOWEL	
42		90016206025	3	BOLT, H.S. 6*25	
43		X502000460	1	LABEL, ECHO	
44		15061114730	1	TUBE	



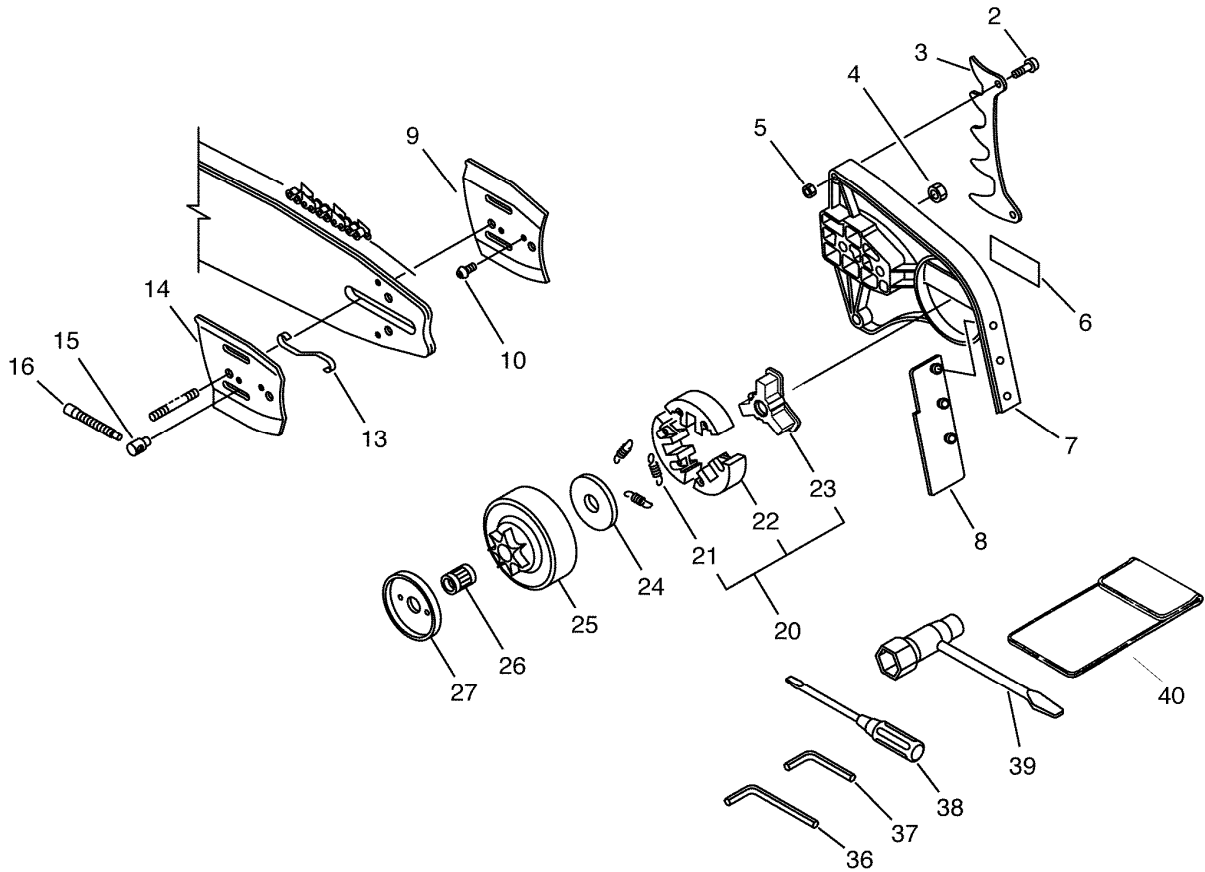
KEY	LV	PART NUMBER	Q'TY	DESCRIPTION	REMARKS
1		35160405262	1	HANDLE KIT, FRONT	
37	+	35161305260	1	SUPPORTER, F.HANDLE	
2	+	90016206020	1	BOLT, H.S. 6*20	
4	+	35161116430	4	WASHER	
2		90016206020	3	BOLT, H.S. 6*20	
3		90016206025	8	BOLT, H.S. 6*25	
5		35161816431	1	CUSHION (L-U)	
6		90016205014	14	BOLT, H.S. 5*14	
7		15261560730	1	BRACKET, MODULE	
8		15260560730	1	MODULE, E.S.G.	
9		90024205010	2	SCREW 5*10	
10		13100460730	1	CAP ASSY, FUEL TANK	
11	+	90072000032	1	O-RING 32	
12	+	13105019830	1	RETAINER, LINK	
13	+	90024603008	1	SCREW 3*8	
14	+	13105119830	1	LINK	
15		90060000004	1	WASHER 4	
16		12902014730	1	SPRING	
17		12901314730	1	SCREW, IDLE ADJUST.	
18		12901014730	1	GROMMET	
19		10091716430	1	CUSHION	
21		10091516430	6	FASTENER, CUSHION	
22		16201014732	1	LEAD, GROUND	
23		10091016431	5	CUSHION	
24		17821105260	1	GROMMET	
25		17801116430	1	ROD, THROTTLE	



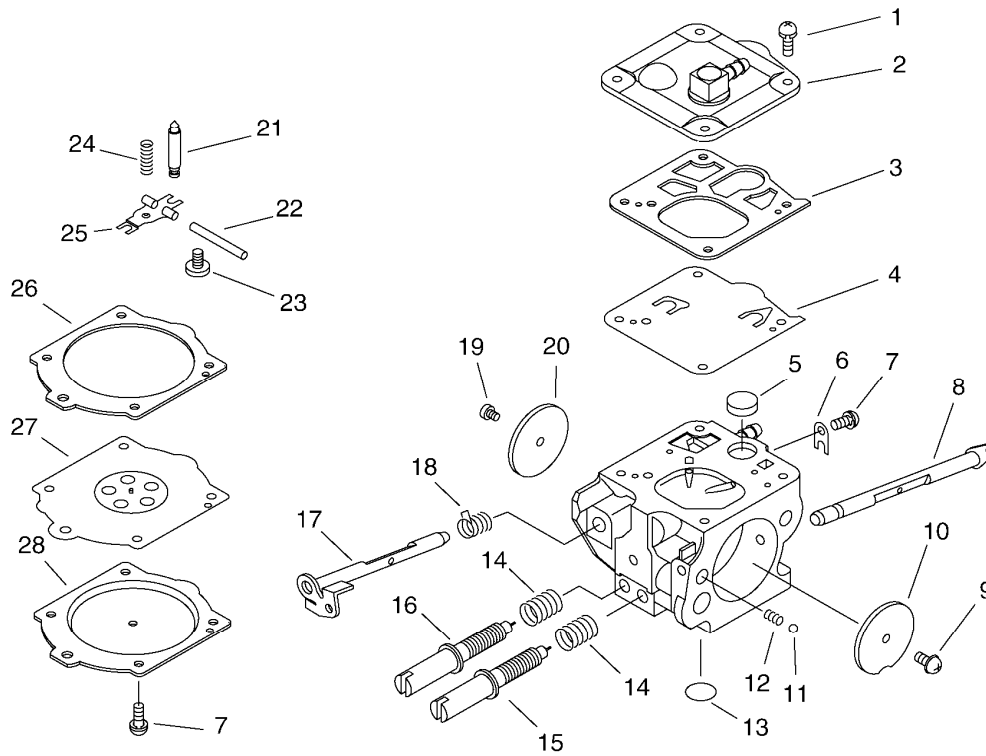
KEY	LV	PART NUMBER	Q'TY	DESCRIPTION	REMARKS
26		17804316430	1	SPRING, THR. RETURN	
27		90034250025	1	PIN, SPRING 5*25	
28		17801005260	1	CONTROL, THROTTLE	
29		17809016430	1	LOOKOUT, T. CONTROL	
30		90034240018	1	PIN, SPRING 4*18	
31		17809116430	1	SPRING	
32		35111016431	1	HANDLE	
33		16340019831	1	SWITCH, IGNITION	
34		89015716430	1	LABEL, SWITCH	
35		35111116431	1	GRIP	
36		17830212330	1	LATCH, THROTTLE	
38		17851016430	1	ROD, CHOKE CONTROL	
39		17881002830	1	GROMMET	
40		15611406330	2	BUSHING	
43		13100260732	1	TANK SET, FUEL	
42	+	90010505014	4	BOLT, H.S. 5*14	
44		13141000330	1	PACKING, FELT	
45		90060000002	1	WASHER 2	
46		90030020015	1	PIN, SPLIT 2*15	
47		13201005260	1	PIPE 3* 6*360	
48		13211512330	2	GROMMET	
49		13201326630	1	CLIP	
50		13120519831	1	STRAINER, FUEL	
51		13130016430	1	VENT ASS'Y, FUEL	
52		V471003440	1	PIPE	
55		43710016430	1	PUMP ASS'Y, OIL	



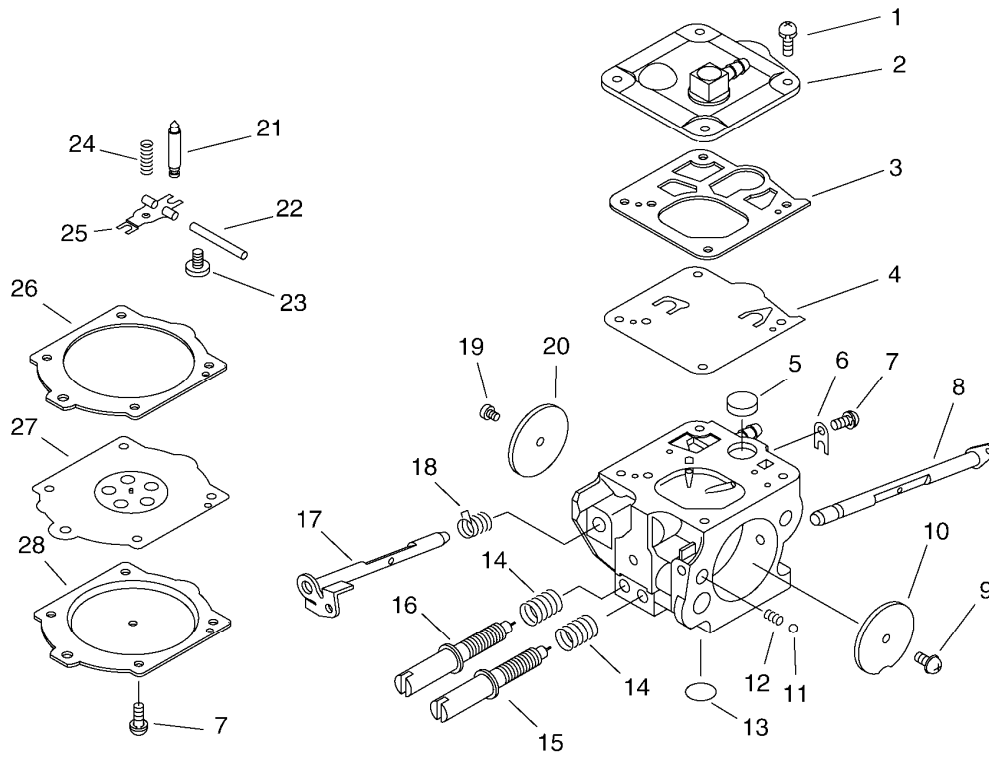
KEY	LV	PART NUMBER	Q'TY	DESCRIPTION	REMARKS
56	+	43710114730	1	PISTON, OIL PUMP	
57	++	43711914731	1	BUTTON, PUSH	
58	+	90072000006	1	O-RING 6	
59	+	43711100231	1	SPRING, OIL PUMP	
60	+	43710216430	1	BODY ASS'Y, OIL PUMP	
61	++	43701300330	3	SPRING, VALVE	
62	++	43701200330	3	VALVE, BALL	
63	++	43705200330	3	CONNECTOR	
64		43720616430	1	PIPE	
65		43720732930	1	PIPE	
66		43722116430	2	CLIP	
67		43721116431	1	PIPE	
68		43741216430	1	TUBE, PROTECTOR	



KEY	LV	PART NUMBER	Q'TY	DESCRIPTION	REMARKS
2		90010506020	2	BOLT, H.S. 6*20	
3		88021016431	1	BUMPER, SPIKED	
4		43301910630	2	NUT	
5		14571300630	2	LOCKNUT 6	
6		X502000540	1	LABEL,ECHO	
7		43302116430	1	GUARD, SPROCKET	
8		43302516430	1	PAD	
9		43301216430	1	PLATE, GUIDE (OUTER)	
10		90022003006	2	SCREW 3*6	
13		43303516430	1	HOLDER, PLATE	
14		43301316430	1	PLATE, GUIDE (INNER)	
15		43301416430	1	TENSIONER	
16		43301616430	1	SCREW, TENSIONER	
20		A056000170	1	CLUTCH ASY	
21	+	17501860730	3	SPRING, CLUTCH	
22	+	P021010080	1	CLUTCH SHOE SET	
23	+	17501660730	1	HUB, CLUTCH	
24		17501960130	1	PLATE, CLUTCH	
25		17500660730	1	DRUM, CLUTCH (.404)	
26		17501260730	1	BEARING, NEEDLE	
27		17501560730	1	WASHER	
36		X605000070	1	HEXA WRENCH 6MM	
37		X605000100	1	TOOL,L WRENCH	
38		89581100130	1	DRIVER, SCREW 125	
39		89541010630	1	WRENCH, W/S. DRIVER	
40		X698000050	1	TOOL,CASE	



KEY	LV	PART NUMBER	Q'TY	DESCRIPTION	REMARKS
		A021001261	1	CARBURETOR,DIAPHRAGM - WALBRO	
1	+	12311010630	4	SCREW, PUMP COVER	
2	+	P003001530	1	COVER, FUEL PUMP	
3	+	12312505260	1	GASKET, FUEL PUMP	
4	+	12311205260	1	DIAPHRAGM, FUEL PUMP	
5	+	12312610631	1	SCREEN, INLET	
6	+	12312703930	1	CLIP, THROTTLE SHAFT	
7	+	12313002960	5	SCREW	
8	+	P003001560	1	SHAFT ASY,CHOKE	
9	+	12311438830	1	SCREW	
10	+	12313205260	1	VALVE, CHOKE	
11	+	12313610631	1	BALL, CHOKE FRICTION	
12	+	12313510631	1	SPRING, CHOKE FRICT.	
13	+	P003001570	1	PLUG, WELCH	
14	+	12312122130	2	SPRING, NEEDLE	
15	+	12312005260	1	NEEDLE, HIGH SPEED	
16	+	12311805260	1	NEEDLE, IDLE	
17	+	P003001540	1	SHAFT ASY,THROTTLE	
18	+	P003001550	1	SPRING	
19	+	12311405260	1	SCREW	
20	+	P003001750	1	VALVE, THROTTLE	
21	+	12313704260	1	VALVE, INLET NEEDLE	
22	+	12313810630	1	PIN, METERING LEVER	
23	+	12313903930	1	SCREW, M. LEVER PIN	
24	+	12312210630	1	SPRING, METER. LEVER	
25	+	12312305260	1	LEVER, METERING	



KEY	LV	PART NUMBER	Q'TY	DESCRIPTION	REMARKS
26	+	12314010630	1	GASKET, M. DIAPHRAGM	
27	+	12314105260	1	DIAPHRAGM, METERING	
28	+	12314210630	1	COVER, M. DIAPHRAGM	

1A	21G63	2A	27X-72E
1B	25G63	2B	27X-84E
1C	30G63	2C	27X-92E
1D	33G63	2D	27X-100E
1E	36G63	2E	27X-104E
1F	36W63	2F	27X-104E
1G	42G63	2G	27X-124E

KEY	LV	PART NUMBER	Q'TY	DESCRIPTION	REMARKS
1A		43032716431	1	BAR, GUIDE 21G63	
2A		43113216431	1	CHAIN, SAW 27X-72E	
1B		43032816431	1	BAR, GUIDE 25G63	
2B		43113316431	1	CHAIN, SAW 27X-84E	
1C		43032916431	1	BAR, GUIDE 30G63	
2C		43113416431	1	CHAIN, SAW 27X-92E	
1D		43033216431	1	BAR, GUIDE 33 G 63	
2D		43113616432	1	CHAIN, SAW 27X-100E	
1E		43033016430	1	BAR, GUIDE 36G-63	
2E		43113516432	1	CHAIN, SAW 27X-104E	
1F		X114000000	1	BAR, GUIDE 36W63	
2F		43113516432	1	CHAIN, SAW 27X-104E	
1G		X117000000	1	BAR, GUIDE 105	
2G		43113716431	1	CHAIN, SAW 27X-124E	

Index

Patrs Number	Key No.	Patrs Number	Key No.	Patrs Number	Key No.
89014916430	1 - 1	43720516430	1 - 51	10014412331	3 - 11
90016206025	1 - 2	13211512330	1 - 39	10014600310	3 - 12
10151416432	1 - 3	43620514730	1 - 52	15280060730	3 - 13
17980532930	1 - 4	43621216431	1 - 53	17723414730	3 - 20
17981516432	1 - 5	43600160730	1 - 54	90060000006	3 - 21
90034520014	1 - 6	90072000025	1 - 55	17724702830	3 - 22
90060000005	1 - 7	43602402830	1 - 56	17721802830	3 - 23
17981216431	1 - 8	13105019830	1 - 57	90010006016	3 - 24
17980616431	1 - 9	90024603008	1 - 58	17720016432	3 - 26
10101160730	1 - 10	13105119830	1 - 59	90016205014	3 - 27
40091200910	1 - 11	89015160730	2 - 1	30021700610	3 - 28
10110016430	1 - 12	13030216430	2 - 2	17724610631	3 - 29
10111402831	1 - 13	13040600330	2 - 3	90024204012	3 - 30
10111302830	1 - 14	90070100011	2 - 4	17724302833	3 - 31
10111212430	1 - 15	13030516430	2 - 5	17722614730	3 - 32
10111232930	1 - 26	13031216430	2 - 6	17721510632	3 - 33
10111202830	1 - 28	13033116430	2 - 7	17721610630	3 - 34
90022005010	1 - 16	13071416430	2 - 8	17724214730	3 - 35
10101016431	1 - 17	90016205050	2 - 9	17722010631	3 - 36
10000060730	1 - 18	P021010271	2 - 10	17722110630	3 - 37
10001116431	1 - 19	A021001261	2 - 30	V323000060	3 - 38
10001316430	1 - 20	V103000330	2 - 31	17722816430	3 - 39
10001516430	1 - 21	13003716430	2 - 11	17722710630	3 - 40
10001216430	1 - 22	90016205014	2 - 12	10152216430	3 - 41
10001460730	1 - 23	13001316431	2 - 13	90016206025	3 - 42
10010060731	1 - 24	13001232930	2 - 14	X502000460	3 - 43
10014212330	1 - 25	13051016431	2 - 15	15061114730	3 - 44
10020416430	1 - 29	90016205020	2 - 16	35160405262	4 - 1
13011312330	1 - 27	13001116430	2 - 17	35161305260	4 - 37
43301116430	1 - 30	13051214731	2 - 18	90016206020	4 - 2
10021216431	1 - 31	90010606025	2 - 20	35161116430	4 - 4
10021502830	1 - 32	14560016430	2 - 21	90016206020	4 - 2
10024216430	1 - 33	14551016431	2 - 22	90016206025	4 - 3
90070200047	1 - 34	14563316430	2 - 23	35161816431	4 - 5
90081006204	1 - 35	14581814730	2 - 24	90016205014	4 - 6
10021316430	1 - 36	17851600830	2 - 25	15261560730	4 - 7
90016206030	1 - 37	90015005015	2 - 26	15260560730	4 - 8
43720114730	1 - 40	14572016431	2 - 27	90024205010	4 - 9
13011016430	1 - 38	14564216431	2 - 28	13100460730	4 - 10
43705911133	1 - 41	43741216430	3 - 1	90072000032	4 - 11
43700016430	1 - 42	15901216430	3 - 2	13105019830	4 - 12
43702002830	1 - 43	15901103432	3 - 3	90024603008	4 - 13
43701902830	1 - 44	15901010630	3 - 4	13105119830	4 - 14
88021016431	1 - 45	16202160730	3 - 5	90060000004	4 - 15
90010506020	1 - 46	16201060730	3 - 6	12902014730	4 - 16
90016205014	1 - 47	15011200310	3 - 7	12901314730	4 - 17
43302616430	1 - 48	15011716430	3 - 8	12901014730	4 - 18
14571300630	1 - 49	15262660730	3 - 9	10091716430	4 - 19
43741216430	1 - 50	90016205025	3 - 10	10091516430	4 - 21

Index

Patrs Number	Key No.	Patrs Number	Key No.	Patrs Number	Key No.
16201014732	4 - 22	43302516430	5 - 8	43032716431	7 - 1A
10091016431	4 - 23	43301216430	5 - 9	43113216431	7 - 2A
17821105260	4 - 24	90022003006	5 - 10	43032816431	7 - 1B
17801116430	4 - 25	43303516430	5 - 13	43113316431	7 - 2B
17804316430	4 - 26	43301316430	5 - 14	43032916431	7 - 1C
90034250025	4 - 27	43301416430	5 - 15	43113416431	7 - 2C
17801005260	4 - 28	43301616430	5 - 16	43033216431	7 - 1D
17809016430	4 - 29	A056000170	5 - 20	43113616432	7 - 2D
90034240018	4 - 30	17501860730	5 - 21	43033016430	7 - 1E
17809116430	4 - 31	P021010080	5 - 22	43113516432	7 - 2E
35111016431	4 - 32	17501660730	5 - 23	X114000000	7 - 1F
16340019831	4 - 33	17501960130	5 - 24	43113516432	7 - 2F
89015716430	4 - 34	17500660730	5 - 25	X117000000	7 - 1G
35111116431	4 - 35	17501260730	5 - 26	43113716431	7 - 2G
17830212330	4 - 36	17501560730	5 - 27		
17851016430	4 - 38	X605000070	5 - 36		
17881002830	4 - 39	X605000100	5 - 37		
15611406330	4 - 40	89581100130	5 - 38		
13100260732	4 - 43	89541010630	5 - 39		
90010505014	4 - 42	X698000050	5 - 40		
13141000330	4 - 44	A021001261	6 -		
90060000002	4 - 45	12311010630	6 - 1		
90030020015	4 - 46	P003001530	6 - 2		
13201005260	4 - 47	12312505260	6 - 3		
13211512330	4 - 48	12311205260	6 - 4		
13201326630	4 - 49	12312610631	6 - 5		
13120519831	4 - 50	12312703930	6 - 6		
13130016430	4 - 51	12313002960	6 - 7		
V471003440	4 - 52	P003001560	6 - 8		
43710016430	4 - 55	12311438830	6 - 9		
43710114730	4 - 56	12313205260	6 - 10		
43711914731	4 - 57	12313610631	6 - 11		
90072000006	4 - 58	12313510631	6 - 12		
43711100231	4 - 59	P003001570	6 - 13		
43710216430	4 - 60	12312122130	6 - 14		
43701300330	4 - 61	12312005260	6 - 15		
43701200330	4 - 62	12311805260	6 - 16		
43705200330	4 - 63	P003001540	6 - 17		
43720616430	4 - 64	P003001550	6 - 18		
43720732930	4 - 65	12311405260	6 - 19		
43722116430	4 - 66	P003001750	6 - 20		
43721116431	4 - 67	12313704260	6 - 21		
43741216430	4 - 68	12313810630	6 - 22		
90010506020	5 - 2	12313903930	6 - 23		
88021016431	5 - 3	12312210630	6 - 24		
43301910630	5 - 4	12312305260	6 - 25		
14571300630	5 - 5	12314010630	6 - 26		
X502000540	5 - 6	12314105260	6 - 27		
43302116430	5 - 7	12314210630	6 - 28		

YAMABIKO CORPORATION

7-2 SUEHIROCHO 1-CHOME, OHME, TOKYO 198-8760, JAPAN
PHONE: 81-428-32-6118. FAX: 81-428-32-6145.

