



Los accesorios para los productos ECHO se pueden encontrar en:

Accessories for ECHO products can be found at:
www.echo-latinamerica.com/products/catalogs

LISTA DE PIEZAS PARTS CATALOG

HC-2020 Cortaseto

HC-2020 Hedge Trimmer



21.2 cc

NÚMERO DE SERIE
SERIAL NUMBER

U45129001001 - U45129999999

ECHO Incorporated

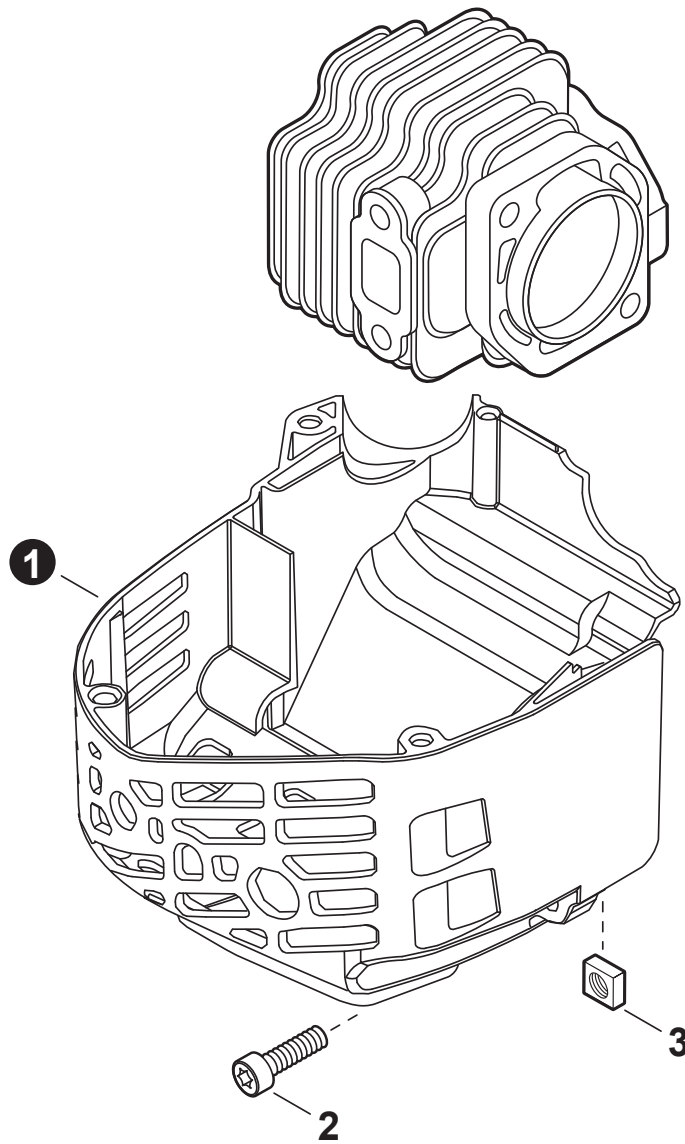
400 Oakwood Road, Lake Zurich, Illinois 60047

WWW.ECHO-USA.COM

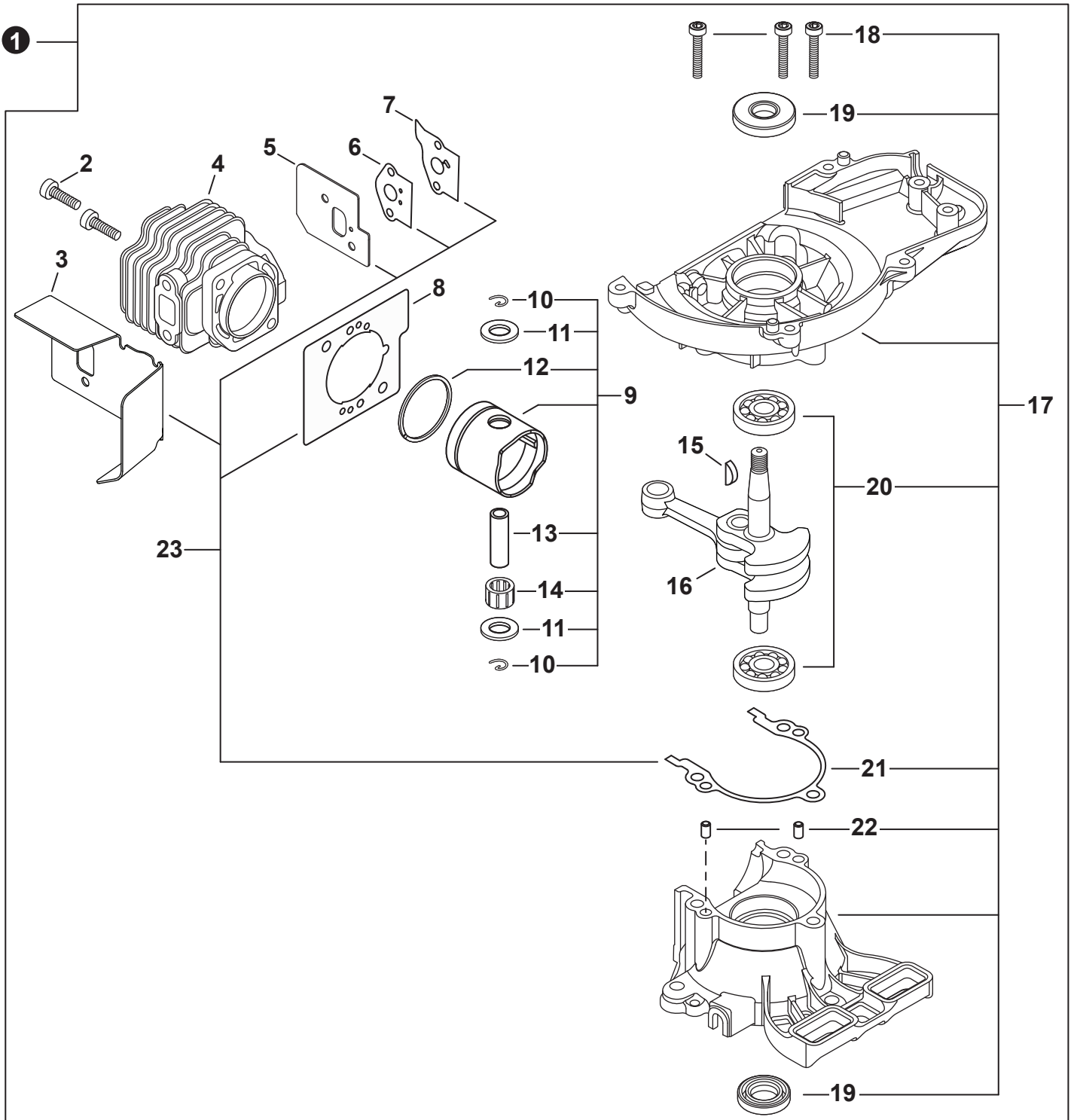
©2021 ECHO Incorporated. All Rights Reserved

P/N 99922205652
REVISED 05/18/21

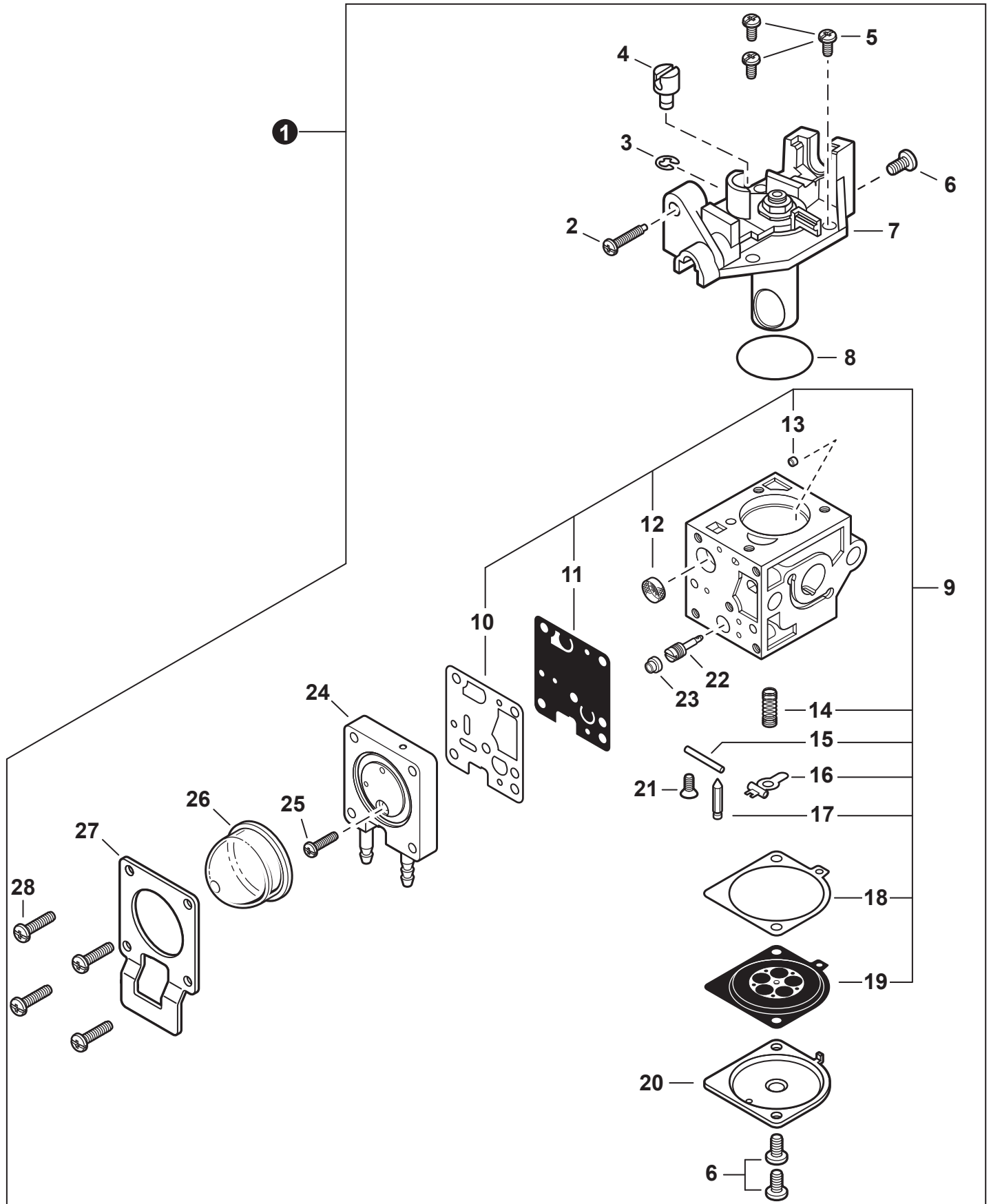
| | |
|---|-----------|
| Cubierta de motor | 3 |
| Engine Cover | |
| Motor | 4 |
| Engine | |
| Motor | 5 |
| Engine | |
| Carburador | 6 |
| Carburetor | |
| Carburador | 7 |
| Carburetor | |
| Admisión | 8 |
| Intake | |
| Escape | 9 |
| Exhaust | |
| Encendido | 10 |
| Ignition | |
| Arrancador autorretráctil | 11 |
| Starter | |
| Sistema de combustible | 12 |
| Fuel System | |
| Mango trasero | 13 |
| Handle - Rear | |
| Cabezal de corte | 14 |
| Cutting Head | |
| Cabezal de corte | 15 |
| Cutting Head | |
| Etiquetas | 16 |
| Labels | |
| Juegos de mantenimiento | 17 |
| Maintenance Kits | |
| Tubo al por mayor | 17 |
| Bulk Pipe | |
| Cuerda del arrancador al por mayor | 17 |
| Bulk Starter Rope | |



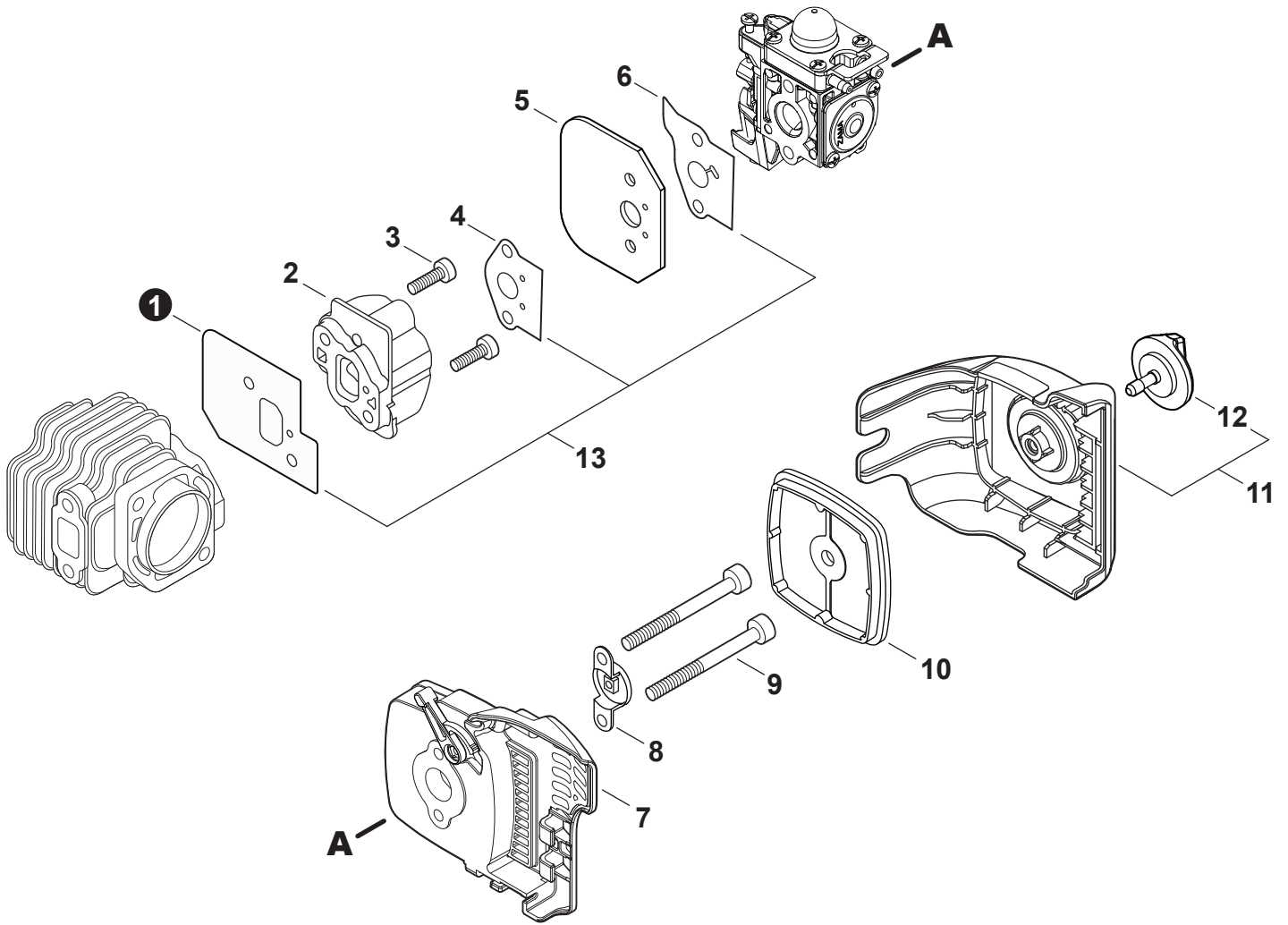
| NO. | PART NUMBER | QTY. | DESCRIPCIÓN | DESCRIPTION |
|-----|-------------|------|--------------------|------------------|
| 1 | A160003580 | 1 | CUBIERTA DE MOTOR | COVER, ENGINE |
| 2 | V805000150 | 1 | PERNO TORX 5x16 | BOLT, TORX 5x16 |
| 3 | 90056550005 | 1 | TUERCA - 5 - CUADR | NUT - 5 - SQUARE |



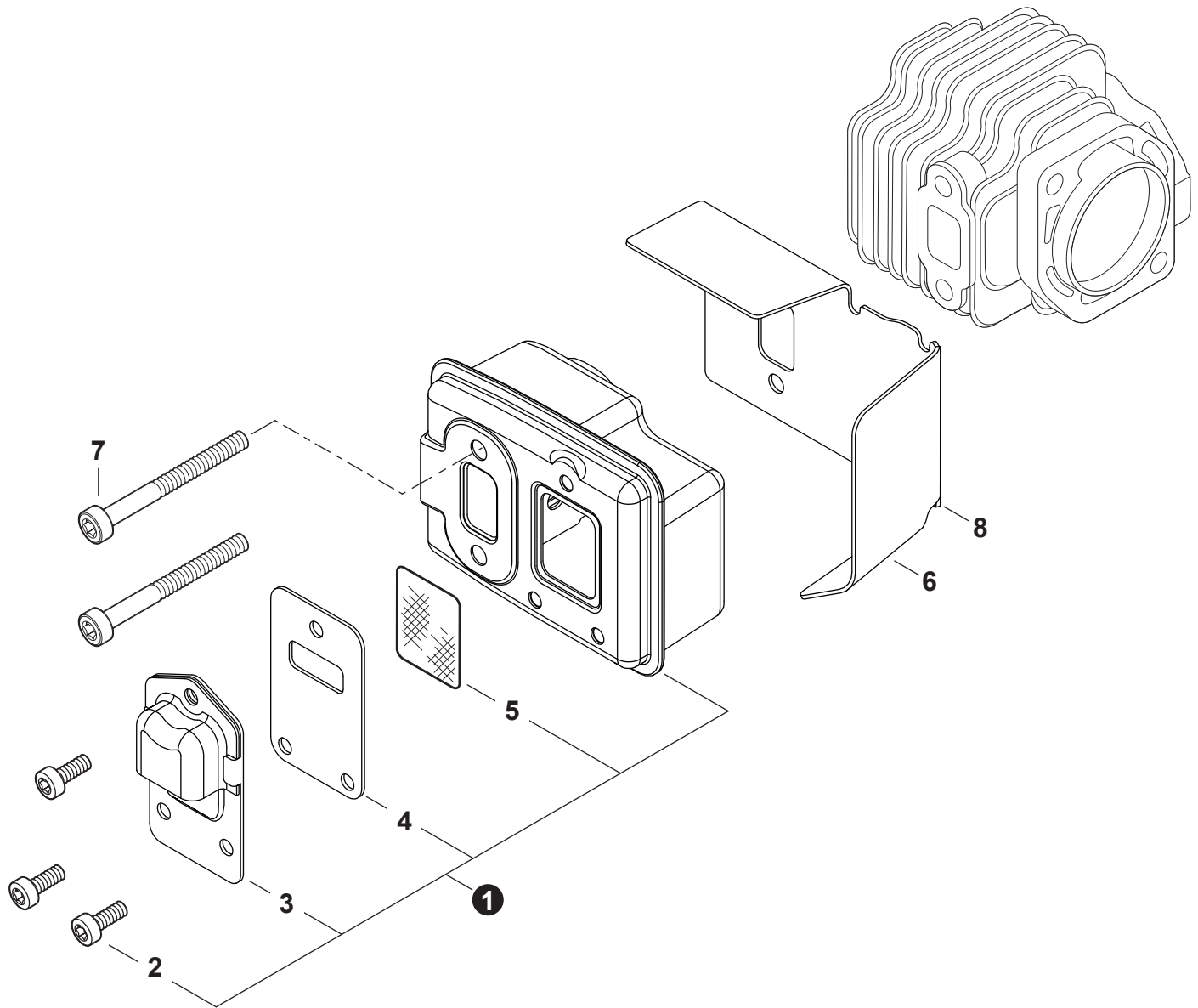
| NO. | PART NUMBER | QTY. | DESCRIPCIÓN | DESCRIPTION |
|-----|-------------------|------|----------------------------------|-----------------------|
| 1 | SB1123 | 1 | BLOQUE CORTO | SHORT BLOCK |
| 2 | V805000210 | 2 | +PERNO TORX 5x20 | +BOLT, TORX 5x20 |
| 3 | V104002190 | 1 | +PROTECTOR TÉRMICO DEL ESCAPE | +HEAT SHIELD, EXHAUST |
| 4 | A130001960 | 1 | +CILINDRO | +CYLINDER |
| 5 | V103002030 | 1 | +EMPAQUETADURA DE ADMISIÓN | +GASKET, INTAKE |
| 6 | V103002020 | 1 | +EMPAQUETADURA DE ADMISIÓN | +GASKET, INTAKE |
| 7 | V103001740 | 1 | +EMPAQUETADURA DE ADMISIÓN | +GASKET, INTAKE |
| 8 | V100000720 | 1 | +EMPAQUETADURA DE CILINDRO | +GASKET, CYLINDER |
| 9 | P021007772 | 1 | +JUEGO DE PISTÓN | +PISTON KIT |
| 10 | 10001504630 | 2 | ++ANILLO RETENEDOR | ++RING, SNAP |
| 11 | 10001408960 | 2 | ++ARANDELA DE EMPUJE | ++WASHER, THRUST |
| 12 | A101000090 | 1 | ++ANILLO DEL PISTÓN | ++RING, PISTON |
| 13 | 10001311520 | 1 | ++PASADOR DEL PISTÓN 8 | ++PIN, PISTON 8 |
| 14 | 10011305930 | 1 | ++COJINETE DE AGUJAS | ++BEARING, NEEDLE |
| 15 | 10014212330 | 1 | +CHAVETA WOODRUFF | +KEY, WOODRUFF |
| 16 | A011001550 | 1 | +MONTAJE DE CIGÜEÑAL | +CRANKSHAFT ASSY |
| 17 | P100006080 | 1 | +JUEGO DE CÁRTER | +CRANKCASE SET |
| 18 | V805000220 | 3 | ++PERNO TORX 5x25 | ++BOLT, TORX 5x25 |
| 19 | 10021261830 | 2 | ++SELLO DE ACEITE | ++SEAL, OIL |
| 20 | 90081036000 | 2 | ++COJINETE DE BOLAS | ++BEARING, BALL |
| 21 | V102000240 | 1 | ++EMPAQUETADURA DE CÁRTER | ++GASKET, CRANKCASE |
| 22 | 90033040080 | 2 | ++PASADOR DE POSICIONAMIENTO 4x8 | ++PIN, LOCATING 4x8 |
| 23 | P021052750 | 1 | JUEGO DE EMPAQUETADURA | GASKET KIT |



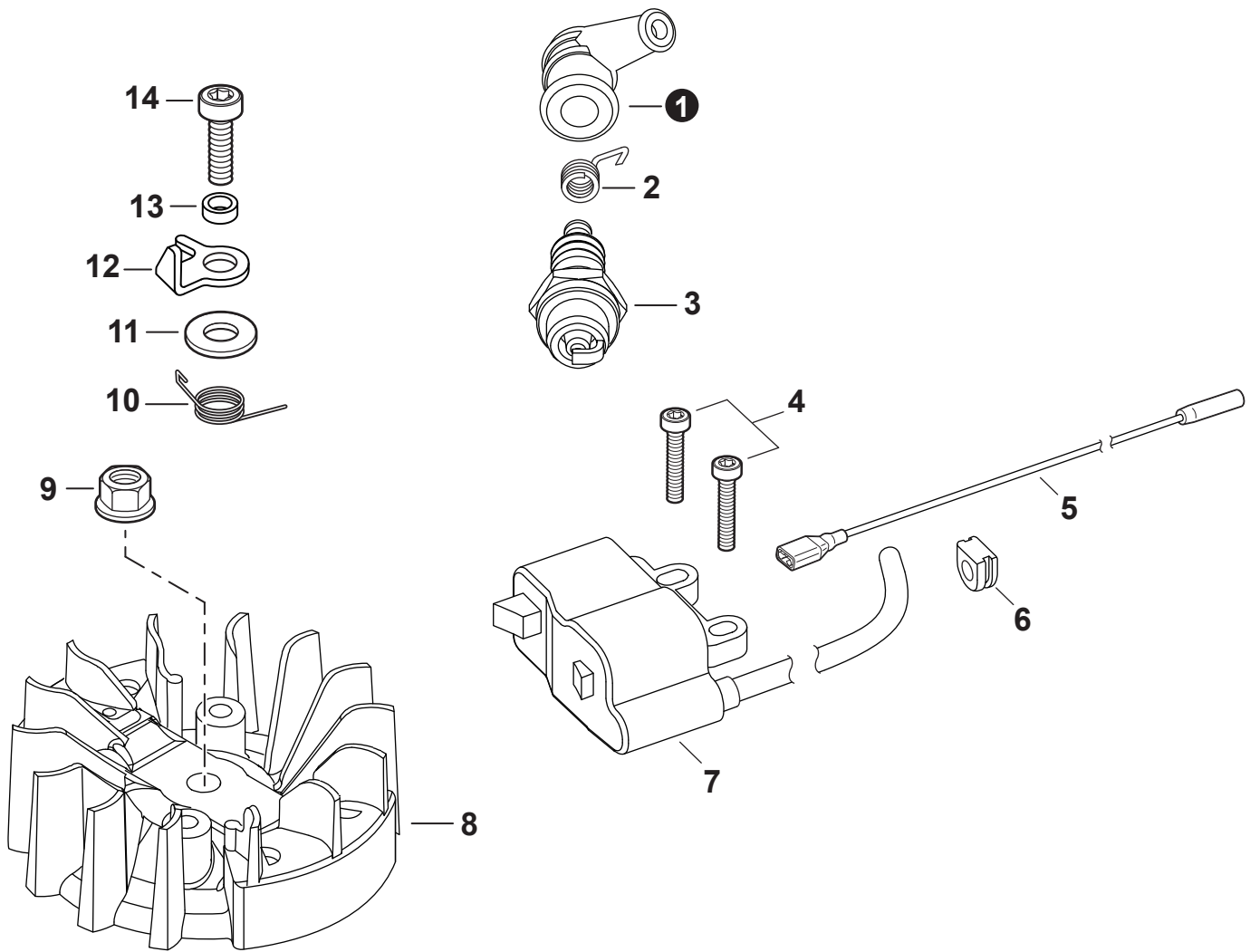
| NO. | PART NUMBER | QTY. | DESCRIPCIÓN | DESCRIPTION |
|-----|-------------------|----------|---|--------------------------------|
| 1 | A021005290 | 1 | CARBURADOR - Z011/0CA | CARBURETOR - Z011/0CA |
| 2 | P005000100 | 1 | +TORNILLO PARA AJUSTAR EL RALENTI | +SCREW, IDLE ADJUST |
| 3 | P005000190 | 1 | +RETENEDOR TIPO "E" | +E-RING |
| 4 | P005002200 | 1 | +CONECTOR GIRATORIO | +SWIVEL |
| 5 | 12534413931 | 3 | +TORNILLO | +SCREW |
| 6 | 12534452130 | 3 | +TORNILLO | +SCREW |
| 7 | P005002160 | 1 | +MONTAJE DE CUBIERTA DE ROTOR | +COVER ASSY, ROTOR |
| 8 | P005004260 | 1 | +JUNTA TÓRICA | +O-RING |
| 9 | P005003750 | 1 | +JUEGO DE REPARACIÓN DE CARBURADOR | +REPAIR KIT, CARBURETOR |
| 10 | P005000520 | 1 | ++EMPAQUETADURA DE LA BOMBA | ++GASKET, PUMP |
| 11 | P005000510 | 1 | ++DIAFRAGMA DE LA BOMBA | ++DIAPHRAGM, PUMP |
| 12 | P005000010 | 1 | ++MALLA FILTRADORA | ++SCREEN, FUEL INLET |
| 13 | P005001000 | 1 | ++GUÍA DE RODILLO | ++GUIDE, ROLLER |
| 14 | P005000940 | 1 | ++RESORTE PALANCA DE MEDICIÓN | ++SPRING, METERING LEVER |
| 15 | 12533813930 | 1 | ++PASADOR DE PALANCA DE MEDICIÓN | ++PIN, METERING LEVER |
| 16 | 12532308260 | 1 | ++PALANCA DE MEDICIÓN | ++LEVER, METERING |
| 17 | 12533708260 | 1 | ++VÁLVULA REGULADORA | ++VALVE, INLET NEEDLE |
| 18 | P005000200 | 1 | ++EMPAQUETADURA DIAFRAGMA DE MEDICIÓN | ++GASKET, METERING DIAPHRAGM |
| 19 | P005003760 | 1 | ++DIAFRAGMA DE MEDICIÓN | ++DIAPHRAGM, METERING |
| 20 | 12534252130 | 1 | +TAPA DE DIAFRAGMA DE MEDICIÓN | +COVER, METERING DIAPHRAGM |
| 21 | 12533942030 | 1 | +TORNILLO | +SCREW |
| 22 | P005001260 | 1 | +AGUJA DE REGULACION ALTA (H) | +NEEDLE, HIGH SPEED |
| 23 | P005001250 | 1 | +PROTECTOR DE TORNILLO | +CAP, LIMITER |
| 24 | P005004240 | 1 | +MONTAJE DE CUERPO DE PURGA | +BODY ASSY, PURGE |
| 25 | P005000270 | 1 | +TORNILLO | +SCREW |
| 26 | P005003110 | 1 | +BULBO DE PURGA | +BULB, PURGE |
| 27 | P005000250 | 1 | +RETENEDOR DE BULBO DE PURGA | +RETAINER, PURGE BULB |
| 28 | P005001900 | 4 | +TORNILLO | +SCREW |



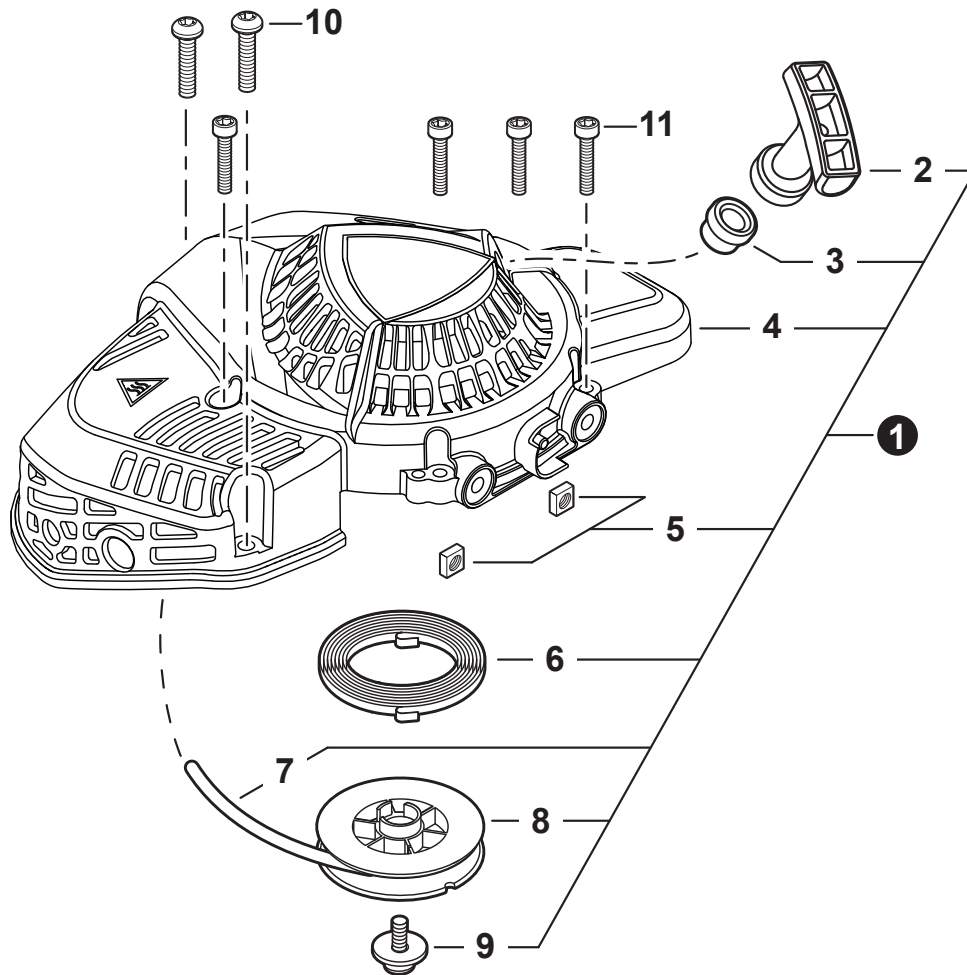
| NO. | PART NUMBER | QTY. | DESCRIPCIÓN | DESCRIPTION |
|-----|-------------|------|--------------------------------------|----------------------------|
| 1 | V103002030 | 1 | EMPAQUETADURA DE ADMISIÓN | GASKET, INTAKE |
| 2 | A200001200 | 1 | AISLADOR DE ADMISIÓN | INSULATOR, INTAKE |
| 3 | V805000170 | 2 | PERNO TORX 5x25 | BOLT, TORX 5x25 |
| 4 | V103002020 | 1 | EMPAQUETADURA DE ADMISIÓN | GASKET, INTAKE |
| 5 | A209000610 | 1 | PLACA AISLANTE | PLATE, INSULATOR |
| 6 | V103001740 | 1 | EMPAQUETADURA DE ADMISIÓN | GASKET, INTAKE |
| 7 | P021049871 | 1 | CAJA DEL FILTRO DE AIRE | CASE, AIR FILTER |
| 8 | A244000070 | 1 | PLACA DE PREVENCIÓN | PLATE, PREVENT |
| 9 | V805000100 | 2 | PERNO TORX 5x65 | BOLT, TORX 5x65 |
| 10 | A226001410 | 1 | FILTRO DE AIRE - CAPA DOBLE | FILTER, AIR - DOUBLE LAYER |
| 11 | P021049130 | 1 | JUEGO DE CUBIERTA DEL FILTRO DE AIRE | COVER SET, AIR FILTER |
| 12 | V299000610 | 1 | +TORNILLO DE OREJETAS | +THUMBSCREW |
| 13 | P021052750 | 1 | JUEGO DE EMPAQUETADURA | GASKET KIT |



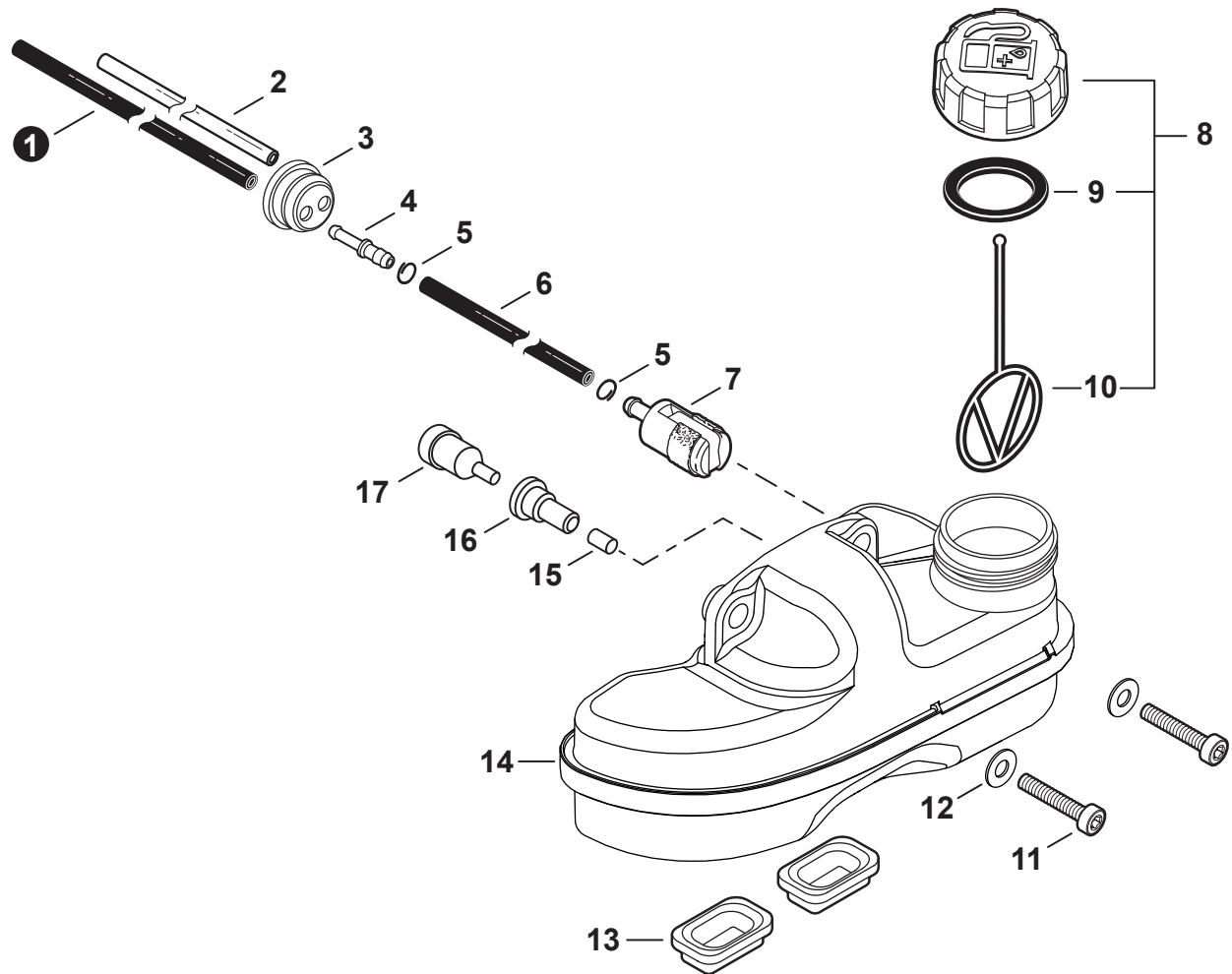
| NO. | PART NUMBER | QTY. | DESCRIPCIÓN | DESCRIPTION |
|-----|-------------|------|------------------------------|-------------------------|
| 1 | P100006060 | 1 | MONTAJE DE SILENCIADOR | MUFFLER ASSY |
| 2 | V804000030 | 3 | +PERNO TORX 4x8 | +BOLT, TORX 4x8 |
| 3 | A313002090 | 1 | +GUÍA DE ESCAPE | +GUIDE, EXHAUST |
| 4 | V104002420 | 1 | +EMPAQUETADURA DE ESCAPE | +GASKET, EXHAUST |
| 5 | 14586240630 | 1 | +SUPRESOR DE CHISPAS | +SCREEN, SPARK ARRESTER |
| 6 | V104002190 | 1 | PROTECTOR TÉRMICO DEL ESCAPE | HEAT SHIELD, EXHAUST |
| 7 | V805000380 | 2 | PERNO TORX 5x50 | BOLT, TORX 5x50 |
| 8 | P021052750 | 1 | JUEGO DE EMPAQUETADURA | GASKET KIT |



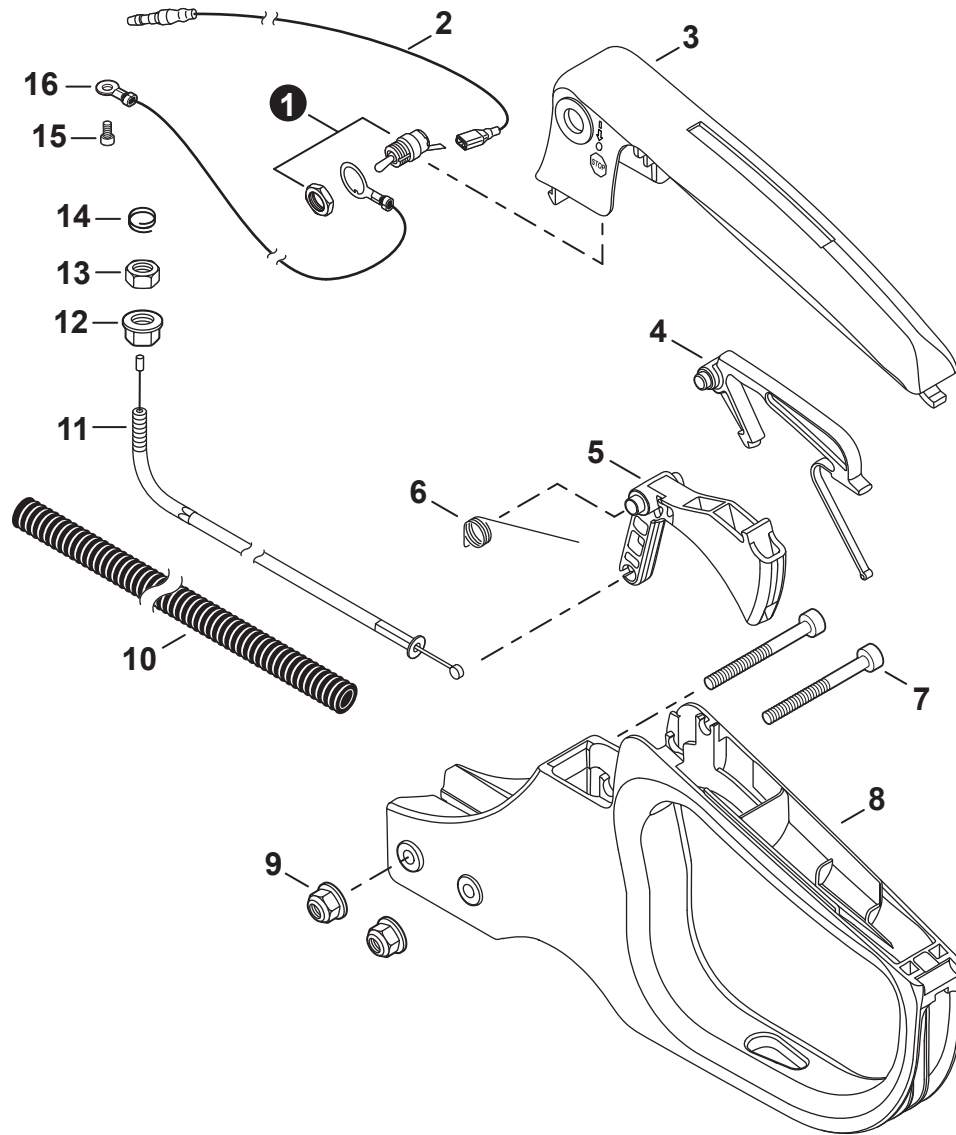
| NO. | PART NUMBER | QTY. | DESCRIPCIÓN | DESCRIPTION |
|-----|-------------|------|---------------------|----------------------|
| 1 | A427000013 | 1 | TAPA DE BUJÍA | CAP, SPARK PLUG |
| 2 | A426000010 | 1 | TERMINAL DE BUJÍA | TERMINAL, SPARK PLUG |
| 3 | A425000000 | 1 | BUJÍA - BPMR8Y | SPARK PLUG - BPMR8Y |
| 4 | V804000060 | 2 | PERNO TORX 4x16 | BOLT, TORX 4x16 |
| 5 | V485001220 | 1 | CABLE L= 85 MM | LEAD L= 85 MM |
| 6 | V135000150 | 1 | OJAL | GROMMET |
| 7 | A411001810 | 1 | BOBINA DE ENCENDIDO | COIL, IGNITION |
| 8 | A409001360 | 1 | VOLANTE | FLYWHEEL |
| 9 | 9210506000 | 1 | TUERCA-BRIDA M6 | NUT, FLANGE M6 |
| 10 | V452001370 | 2 | RESORTE DE TORSIÓN | SPRING, TORSION |
| 11 | 13191103460 | 2 | ARANDELA 5.5x16x0.8 | WASHER 5.5x16x0.8 |
| 12 | A514000260 | 2 | TRINQUETE | PAWL |
| 13 | 17807010860 | 2 | ESPACIADOR | SPACER |
| 14 | V805000150 | 2 | PERNO TORX 5x16 | BOLT, TORX 5x16 |



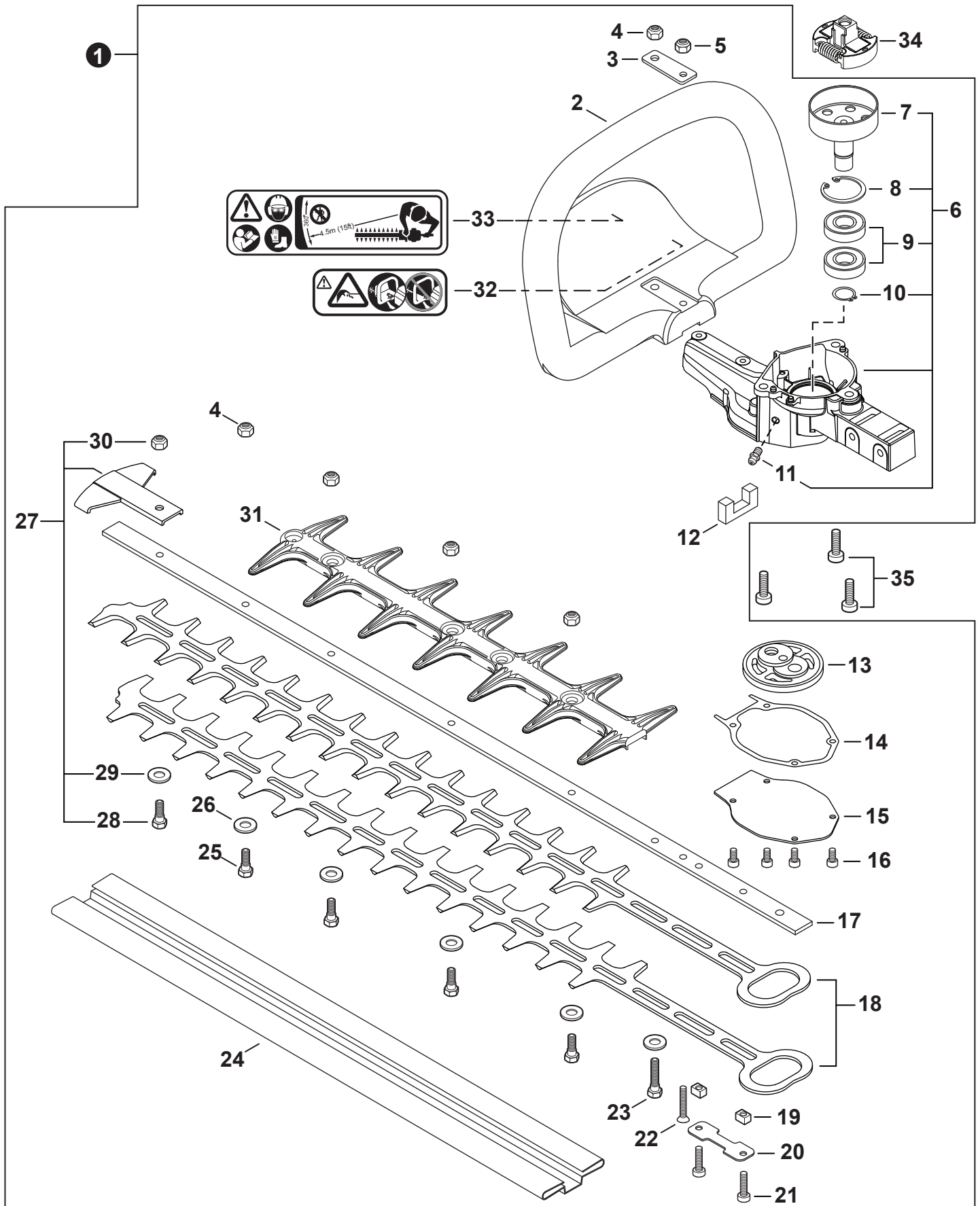
| NO. | PART NUMBER | QTY. | DESCRIPCIÓN | DESCRIPTION |
|-----|-------------|------|--------------------------------------|----------------------|
| 1 | A051003390 | 1 | MONTAJE DE ARRANCADOR AUTORRETRÁCTIL | STARTER ASSY, RECOIL |
| 2 | P022051660 | 1 | +AGARRE DEL ARRANCADOR | +GRIP, STARTER |
| 3 | P022045770 | 1 | +GUÍA DE CUERDA | +GUIDE, ROPE |
| 4 | P022051640 | 1 | +CAJA DE ARRANQUE | +CASE, STARTER |
| 5 | 90056550005 | 2 | +TUERCA - 5 - CUADR | +NUT - 5 - SQUARE |
| 6 | P022019680 | 1 | +RESORTE RECULAR | +SPRING, RECOIL |
| 7 | P022039290 | 1 | +CUERDA DEL ARRANCADOR | +ROPE, STARTER |
| 8 | P022051650 | 1 | +CARRETE DE CUERDA | +REEL, ROPE |
| 9 | 17723644330 | 1 | +TORNILLO | +SCREW |
| 10 | V805000000 | 2 | PERNO TORX 5x16 | BOLT, TORX 5x16 |
| 11 | V804000060 | 4 | PERNO TORX 4x16 | BOLT, TORX 4x16 |



| NO. | PART NUMBER | QTY. | DESCRIPCIÓN | DESCRIPTION |
|-----|-------------------|------|--|-----------------------------------|
| 1 | V471005670 | 1 | TUBO DE COMBUSTIBLE 3x5.5x91 NEGRO | PIPE, FUEL 3x5.5x91 BLACK |
| 2 | 13201056330 | 1 | TUBO DE RETORNO 3x6x90 MM TRANSPARENTE | PIPE, FUEL RETURN 3x6x90 MM CLEAR |
| 3 | 13211544331 | 1 | OJAL DE COMBUSTIBLE | GROMMET, FUEL |
| 4 | V186000520 | 1 | CONECTOR DE TUBO 5x3.5 | CONNECTOR, PIPE 5x3.5 |
| 5 | V490001240 | 2 | SUJETADOR 6 | CLIP 6 |
| 6 | V471003661 | 1 | TUBO DE COMBUSTIBLE 3x5x115 NEGRO | PIPE, FUEL 3x5x115 BLACK |
| 7 | A369000480 | 1 | FILTRO DE COMBUSTIBLE | FILTER, FUEL |
| 8 | P100006051 | 1 | MONTAJE DE TAPA DE COMBUSTIBLE | CAP ASSY, FUEL |
| 9 | V107000190 | 1 | +EMPAQUETADURA DE TAPA DE COMBUSTIBLE | +GASKET, FUEL CAP |
| 10 | A365000050 | 1 | +CONECTOR DE TAPA L= 60 MM | +CONNECTOR, CAP L= 60 MM |
| 11 | V805000160 | 2 | PERNO TORX 5x20 | BOLT, TORX 5x20 |
| 12 | 90060300005 | 2 | ARANDELA 5.5x12x0.8 | WASHER 5.5x12x0.8 |
| 13 | V420004490 | 2 | AMORTIGUADOR | CUSHION |
| 14 | A350002521 | 1 | TANQUE DE COMBUSTIBLE | TANK, FUEL |
| 15 | 13131435430 | 1 | FILTRO DE RESPIRADERO | FILTER, VENT |
| 16 | V137000150 | 1 | OJAL DE COMBUSTIBLE | GROMMET, FUEL |
| 17 | A356000031 | 1 | VÁLVULA DE RESPIRADERO | VENT ASSY |



| NO. | PART NUMBER | QTY. | DESCRIPCIÓN | DESCRIPTION |
|-----|-------------|------|----------------------------------|-------------------|
| 1 | 16340003460 | 1 | INTERRUPTOR DE ENCENDIDO-APAGADO | SWITCH, ON-OFF |
| 2 | V485003150 | 1 | CABLE DE ENCENDIDO | LEAD - IGNITION |
| 3 | C411000030 | 1 | CUBIERTA DE MANGO | COVER, HANDLE |
| 4 | C460000120 | 1 | SEGURO DEL ACELERADOR | LOCKOUT, THROTTLE |
| 5 | C450000750 | 1 | GATILLO DEL ACELERADOR | TRIGGER, THROTTLE |
| 6 | V452000392 | 1 | RESORTE DE TORSIÓN | SPRING, TORSION |
| 7 | V805000280 | 2 | PERNO TORX 5x45 | BOLT, TORX 5x45 |
| 8 | C410000431 | 1 | MANGO TRASERO | HANDLE, REAR |
| 9 | 9210805000 | 2 | TUERCA-BRIDA M5 | NUT, FLANGE M5 |
| 10 | V475007040 | 1 | TUBO FLEXIBLE | TUBE, FLEXIBLE |
| 11 | V430004670 | 1 | CABLE DEL ACELERADOR | CABLE, THROTTLE |
| 12 | 90051800006 | 1 | TUERCA-BRIDA M6 | NUT, FLANGE M6 |
| 13 | 90050200006 | 1 | TUERCA M6 | NUT M6 |
| 14 | V490001100 | 1 | SUJETADOR | CLIP |
| 15 | V804000040 | 1 | PERNO TORX 4x10 | BOLT, TORX 4x10 |
| 16 | V485003140 | 1 | CABLE | LEAD |



| NO. | PART NUMBER | QTY. | DESCRIPCIÓN | DESCRIPTION |
|-----|--------------------|------|---------------------------------------|-------------------------|
| 1 | 9001034 | 1 | MONTAJE DE CABEZAL DE CORTE | CUTTING HEAD KIT |
| 2 | C400000533 | 1 | +MANGO DELANTERO | +HANDLE, FRONT |
| 3 | 35161105360 | 1 | +PLACA | +PLATE, EYE |
| 4 | 43302206460 | 5 | +TUERCA M6 | +NUT M6 |
| 5 | 9210805000 | 1 | +TUERCA-BRIDA M5 | +NUT, FLANGE M5 |
| 6 | P021052880 | 1 | +MONTAJE DE CAJA DE ENGRANAJES | +GEAR CASE ASSY |
| 7 | A556001840 | 1 | ++TAMBOR DE EMBRAGUE | ++DRUM, CLUTCH |
| 8 | 90070200032 | 1 | ++ANILLO RETENEDOR 32 | ++RING, SNAP 32 |
| 9 | 9405236002 | 2 | ++COJINETE DE BOLAS | ++BEARING, BALL |
| 10 | 90070100014 | 1 | ++ANILLO RETENEDOR 14 | ++RING, SNAP 14 |
| 11 | 88011054230 | 1 | ++ENGRASADOR | ++FITTING, GREASE |
| 12 | V541000750 | 1 | +SELLO | +SEAL |
| 13 | V650000740 | 1 | +ENGRANAJE RECTO | +GEAR, SPUR |
| 14 | V110000230 | 1 | +EMPAQUETADURA DE CAJA DE ENGRANAJES | +GASKET, GEAR CASE |
| 15 | C539000190 | 1 | +TAPA CAJA DE ENGRANAJES | +COVER, GEAR CASE |
| 16 | V804000050 | 4 | +PERNO TORX 4x12 | +BOLT, TORX 4x12 |
| 17 | X425001060 | 1 | +SOPORTE DE LA CUCHILLA 50 CM | +SUPPORT, BLADE 20" |
| 18 | X412000770 | 2 | +CUCHILLA 50 CM | +CUTTER 20" |
| 19 | V353000250 | 2 | +GUÍA DE CUCHILLA 5 | +GUIDE, BLADE 5 |
| 20 | V150004330 | 1 | +PLACA | +PLATE, EYE |
| 21 | V805000210 | 2 | +PERNO TORX 5x20 | +BOLT, TORX 5x20 |
| 22 | 90021205030 | 1 | +TORNILLO 5x30 | +SCREW 5x30 |
| 23 | 69911506560 | 1 | +PERNO M6x35 | +BOLT M6x35 |
| 24 | X495000930 | 1 | +FUNDA 50 CM | +SCABBARD 20" |
| 25 | V204000570 | 4 | +PERNO M6x20 | +BOLT M6x20 |
| 26 | 69911804560 | 5 | +ARANDELA 6.5x15.5x0.6 | +WASHER 6.5x15.5x0.6 |
| 27 | 99988802030 | 1 | +JUEGO DE PROTECTOR DE PUNTA | +TIP GUARD KIT |
| 28 | V204000570 | 1 | ++PERNO M6x20 | ++BOLT M6x20 |
| 29 | 69911804560 | 1 | ++ARANDELA 6.5x15.5x0.6 | ++WASHER 6.5x15.5x0.6 |
| 30 | 43302206460 | 1 | ++TUERCA M6 | ++NUT M6 |
| 31 | X431000200 | 1 | +PROTECTOR DE LA CUCHILLA DE CORTE | +GUARD, CUTTER BLADE |
| 32 | X505000290 | 1 | +ETIQUETA DE PRECAUCIÓN | +LABEL - CAUTION |
| 33 | X505002610 | 1 | +ETIQUETA DE PRECAUCIÓN - ISO | +LABEL - CAUTION - ISO |
| 34 | A056000790 | 1 | MONTAJE DE EMBRAGUE | CLUTCH ASSY |
| 35 | V806000130 | 3 | PERNO TORX 6 | BOLT, TORX 6 |



| NO. | PART NUMBER | QTY. | DESCRIPCIÓN | DESCRIPTION |
|-----|-------------|------|----------------------------|-----------------------------|
| 1 | X502001100 | 1 | ETIQUETA MODELO HC-2020 | LABEL - MODEL - HC-2020 |
| 2 | X532004970 | 1 | ETIQUETA DE BUJÍA BPMR8Y | LABEL - SPARK PLUG - BPMR8Y |
| 3 | 89033252730 | 1 | ETIQUETA DEL ESTRANGULADOR | LABEL - CHOKE |

| NO. | PART NUMBER | QTY. | DESCRIPCIÓN | DESCRIPTION |
|-----|-------------|------|-------------------------------|-----------------------|
| 1 | P021052750 | 1 | JUEGO DE EMPAQUETADURA | GASKET KIT |
| 2 | V104002190 | 1 | +PROTECTOR TÉRMICO DEL ESCAPE | +HEAT SHIELD, EXHAUST |
| 3 | V103002030 | 1 | +EMPAQUETADURA DE ADMISIÓN | +GASKET, INTAKE |
| 4 | V103002020 | 1 | +EMPAQUETADURA DE ADMISIÓN | +GASKET, INTAKE |
| 5 | V103001740 | 1 | +EMPAQUETADURA DE ADMISIÓN | +GASKET, INTAKE |
| 6 | V100000720 | 1 | +EMPAQUETADURA DE CILINDRO | +GASKET, CYLINDER |
| 7 | V102000240 | 1 | +EMPAQUETADURA DE CÁRTER | +GASKET, CRANKCASE |

Tubo al por mayor
Bulk Pipe

| NO. | PART NUMBER | QTY. | DESCRIPCIÓN | DESCRIPTION |
|-----|-------------|------|--|---|
| 1 | 90014 | 1 | TUBO AL POR MAYOR 3x5 MM NEGRO (4 PIEZASx2 M) | BULK PIPE - 3x5 MM BLACK (4 PIECESx2 M) |
| 2 | 90015 | 1 | TUBO AL POR MAYOR 3x6 MM NEGRO (4 PIEZASx2 M) | BULK PIPE - 3x6 MM BLACK (4 PIECESx2 M) |
| 3 | 90016 | 1 | TUBO AL POR MAYOR 3x7 MM NEGRO (4 PIEZASx2 M) | BULK PIPE - 3x7 MM BLACK (4 PIECESx2 M) |
| 4 | 90017 | 1 | TUBO AL POR MAYOR 3x6 MM TRANSPARENTE (4 PIEZASx2 M) | BULK PIPE - 3x6 MM CLEAR (4 PIECESx2 M) |
| 5 | 90018 | 1 | TUBO AL POR MAYOR 2x4 MM TRANSPARENTE (4 PIEZASx2 M) | BULK PIPE - 2x4 MM CLEAR (4 PIECESx2 M) |

Cuerda del arrancador al por mayor
Bulk Starter Rope

| NO. | PART NUMBER | QTY. | DESCRIPCIÓN | DESCRIPTION |
|-----|-------------|------|--|---------------------------------|
| 1 | 99944435000 | 1 | CUERDA DEL ARRANCADOR AL POR MAYOR 2.3 MMx61 M | BULK STARTER ROPE - 2.3 MMx61 M |
| 2 | 99944440000 | 1 | CUERDA DEL ARRANCADOR AL POR MAYOR 3.0 MMx61 M | BULK STARTER ROPE - 3.0 MMx61 M |
| 3 | 99944445000 | 1 | CUERDA DEL ARRANCADOR AL POR MAYOR 3.5 MMx61 M | BULK STARTER ROPE - 3.5 MMx61 M |
| 4 | 99944450000 | 1 | CUERDA DEL ARRANCADOR AL POR MAYOR 4.0 MMx61 M | BULK STARTER ROPE - 4.0 MMx61 M |
| 5 | 99944455000 | 1 | CUERDA DEL ARRANCADOR AL POR MAYOR 4.4 MMx61 M | BULK STARTER ROPE - 4.4 MMx61 M |
| 6 | 99944460000 | 1 | CUERDA DEL ARRANCADOR AL POR MAYOR 4.8 MMx61 M | BULK STARTER ROPE - 4.8 MMx61 M |