



Accessories for ECHO products can be found at:

www.echo-usa.com/products/catalogs

PARTS CATALOG

SC-2013 CHIPPER/SHREDDER

OPTIONAL ACCESSORIES & ATTACHMENTS:

| | |
|----------------------------------|-------------|
| LEAF TAMPER | 99944300009 |
| ALL WEATHER COVER | 99944300008 |
| KIT, 3" DEBRIS BAG | 99944300011 |
| KIT, TWO WHEEL TOW | 99944300010 |
| SCREEN, FINE (3/8" DIA) | 99944300004 |
| SCREEN, MEDIUM (3/4" DIA) | 99944300005 |
| SCREEN, COARSE (1-3/8" DIA) | 99944300006 |
| KIT, NARROW SHRED KNIVES | 99944300015 |
| KIT, CHIPPER BLADE | 99944300013 |
| SCREEN, WET DEBRIS | 99944300007 |
| KIT, SPARK ARRESTER BRIGGS (208) | YH460000170 |



208 cc

SERIAL NUMBER

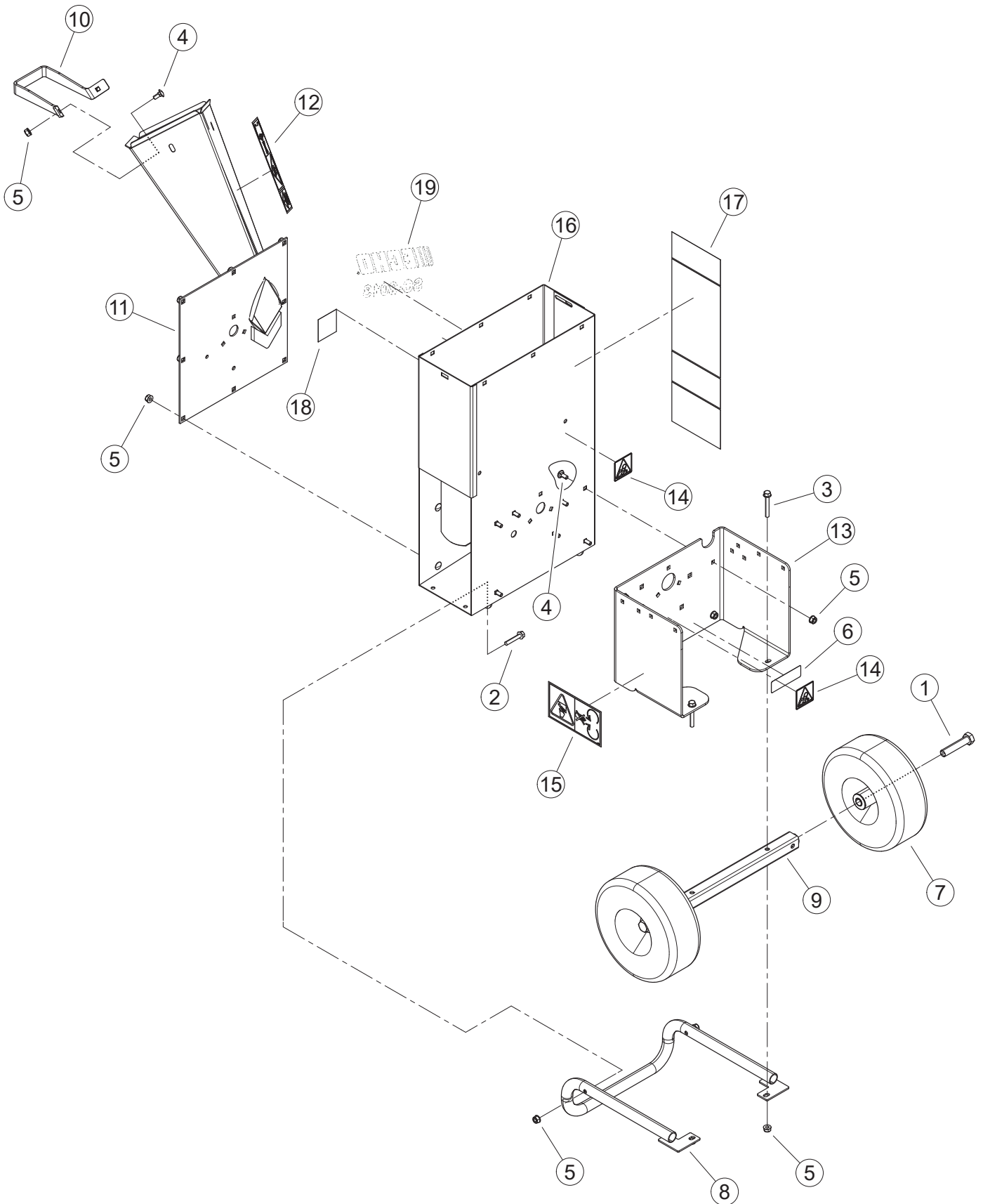
200SCB000001 - 200SCB999999

ECHO Incorporated

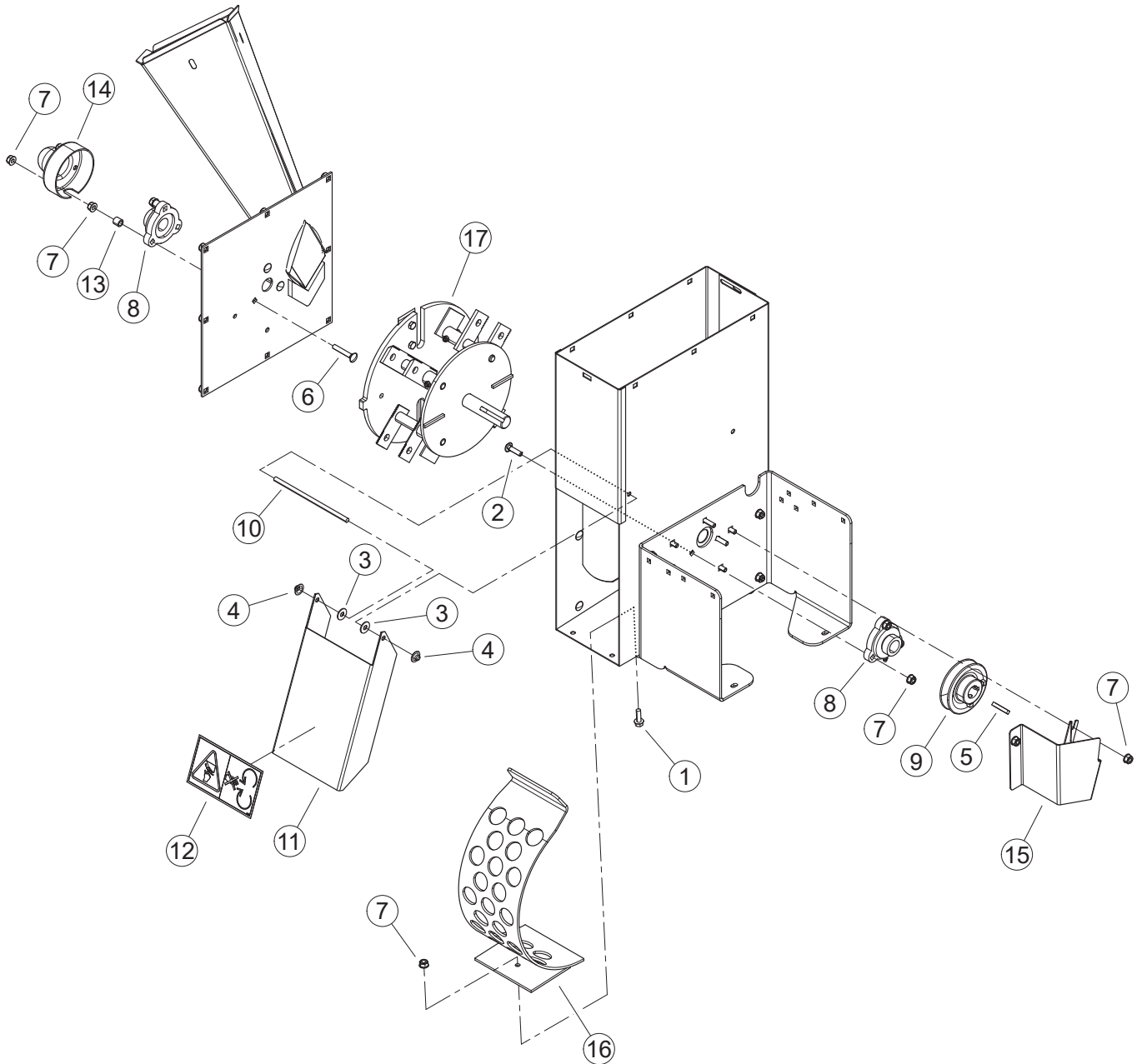
400 Oakwood Road, Lake Zurich, Illinois 60047

WWW.ECHO-USA.COM

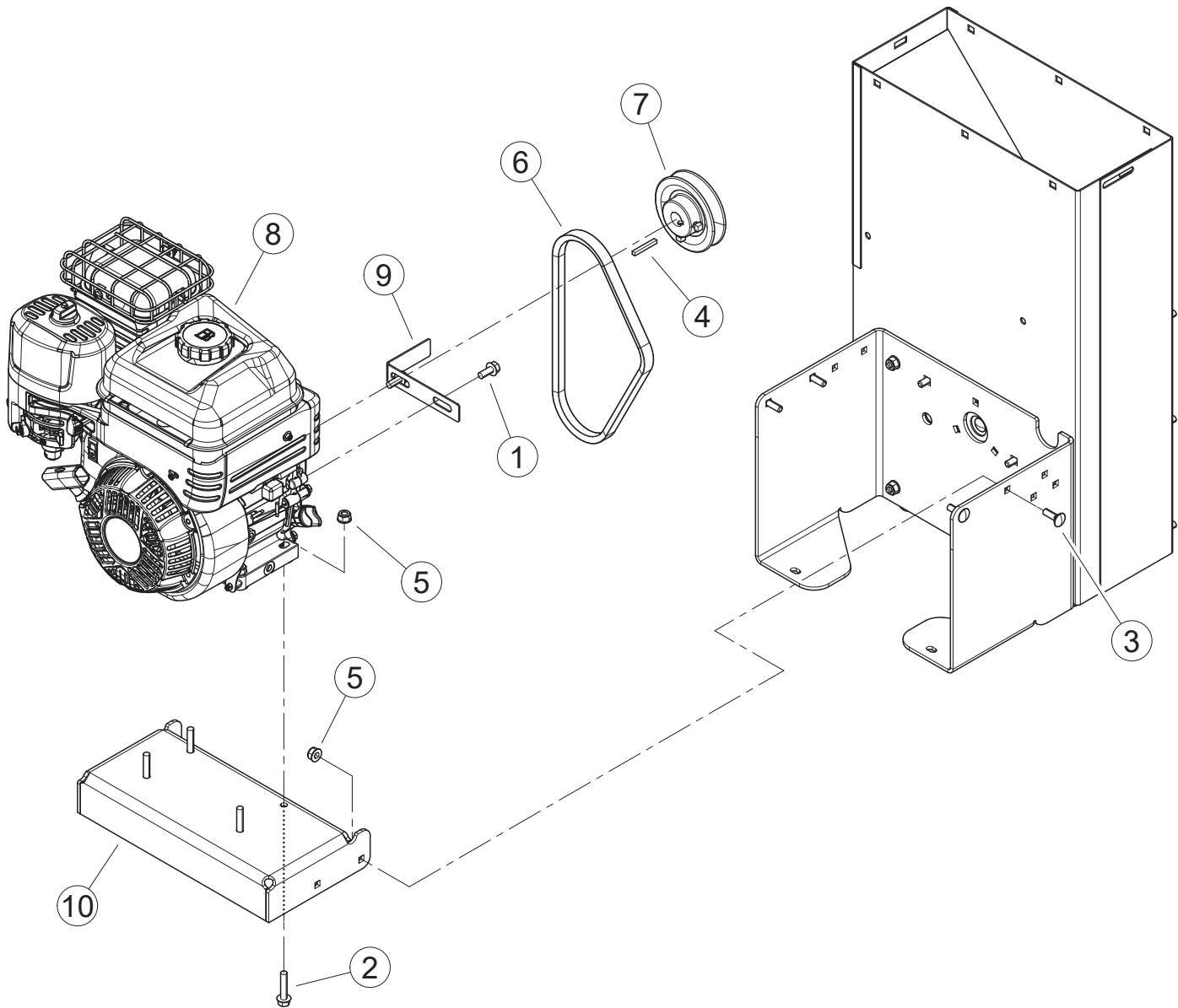
| | |
|------------------------|----|
| Body | 2 |
| Body | 3 |
| Rotor & Bearings | 4 |
| Rotor & Bearings | 5 |
| Engine | 6 |
| Engine | 7 |
| Idler | 8 |
| Idler | 9 |
| Hopper | 10 |
| Hopper | 11 |



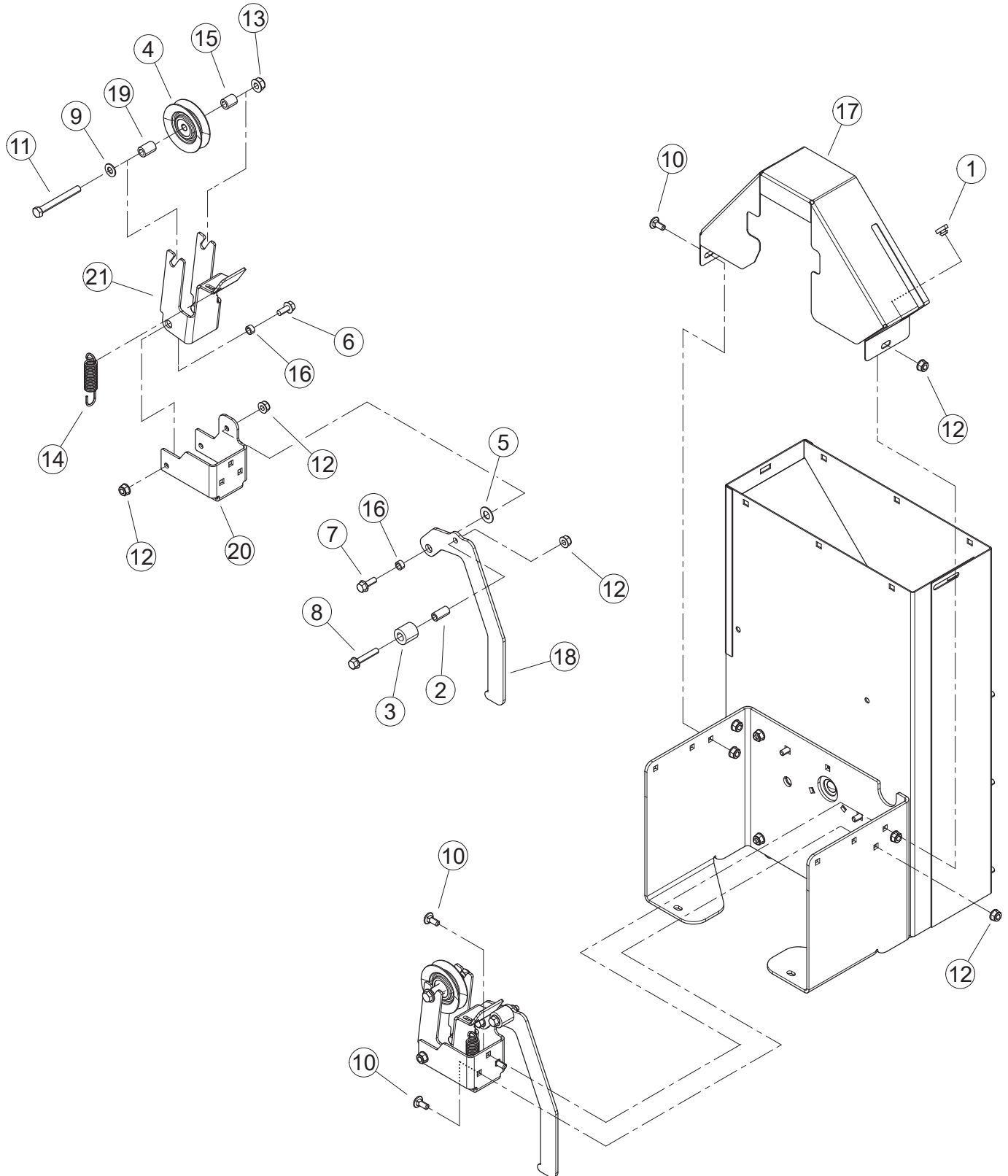
| NO | PART NUMBER | QTY | DESCRIPTION |
|----|-------------|-----|---|
| 1 | YH434000010 | 2 | BOLT, 5/8 × 3 HEX HD GR5 ZP |
| 2 | YH436000070 | 2 | BOLT, 5/16 × 1-3/4 FLANGE NC |
| 3 | YH436000080 | 2 | BOLT, 5/16 × 2-1/4 FLANGE NC |
| 4 | YH434000050 | 14 | BOLT, 5/16 × 3/4 GR5 CRG NC ZP |
| 5 | YH449000040 | 18 | NUT, 5/16-18 NYLOCK FLANGE |
| 6 | - | 1 | DECAL, SERIAL NUMBER |
| 7 | YH478000060 | 2 | ASSEMBLY, 410/350-4 FLAT-FREE WHEEL |
| 8 | YH479001560 | 1 | WELDMENT, SUPPORT LEG SHORT |
| 9 | YH479001570 | 1 | WELDMENT, AXLE 3 IN CHIPPER |
| 10 | YH466000410 | 1 | HANDLE, CHIPPER CHUTE 3 IN |
| 11 | YH479001610 | 1 | ASSEMBLY, 3 IN FRONT PLATE COMP (includes Item 12) |
| 12 | YH653000210 | 1 | DECAL, 3" CHIPPER CHUTE |
| 13 | YH479001630 | 1 | ASSEMBLY, BASE 3 IN CHIPPER SERVICE (includes Items 14 & 15) |
| 14 | YH653000170 | 2 | DECAL, SHIELD DANGER ISO |
| 15 | YH653000180 | 1 | DECAL, BLADE DANGER ISO |
| 16 | YH479001850 | 1 | ASSEMBLY, 3 IN DOM BODY COMPONENTS (includes Items 14, 17, 18, & 19). |
| 17 | YH653000220 | 1 | DECAL, 3" CHIPPER BODY SIDE |
| 18 | YH653000290 | 1 | DECAL, SPARK ARRESTOR |
| 19 | YH653000440 | 1 | DECAL, MODEL ECHO SC-2013 |



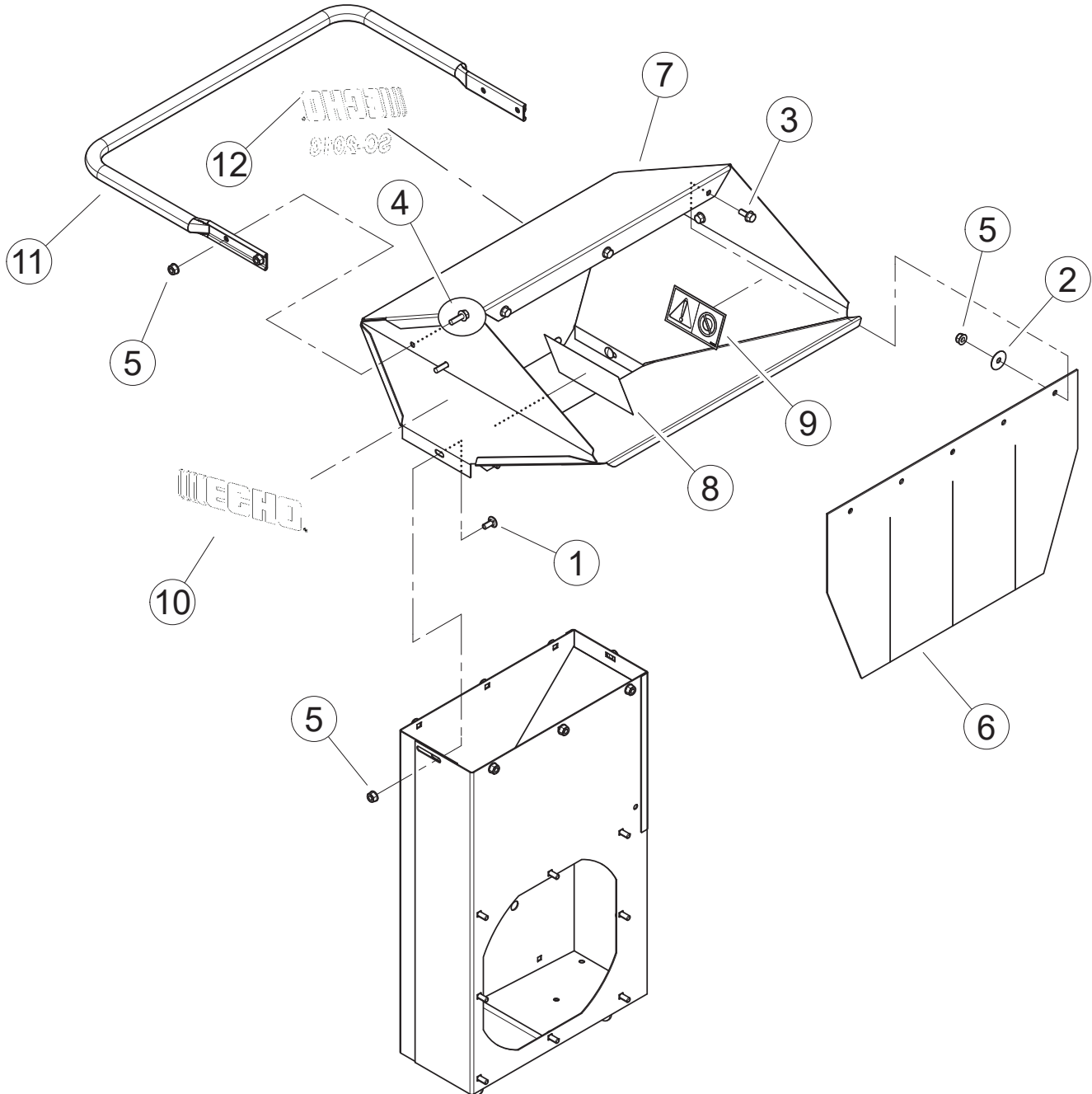
| ITEM | PART NUMBER | QTY | DESCRIPTION |
|------|-------------|-----|--|
| 1 | YH436000050 | 4 | BOLT, 5/16 × 1 FLANGE NC |
| 2 | YH434000060 | 3 | BOLT, 5/16 × 1-1/4 GR5 CRG |
| 3 | YH451000470 | 2 | WASHER, 5/16" ID 7/8" OD NYLON FLAT |
| 4 | YH452000660 | 2 | PUSHNUT, 5/16" ZP |
| 5 | YH469000050 | 1 | KEY, 1/4 SQ × 1-1/2 LG PLAIN |
| 6 | YH434000080 | 3 | BOLT, 5/16 × 2" GR5 CRG NC ZP |
| 7 | YH449000040 | 12 | NUT, 5/16-18 NYLOCK FLANGE |
| 8 | YH453000120 | 2 | BEARING, 1" FLUSH MOUNT CAST W/ COLLAR |
| 9 | YH472000040 | 1 | PULLEY, CAST 4" OD 1" BORE B GRV |
| 10 | YH466000140 | 1 | SHAFT, DOOR PIVOT |
| 11 | YH479000800 | 1 | DOOR, 3 + 5 HP DISCHARGE W/ DECAL (includes Item 12) |
| 12 | YH653000180 | 1 | +DECAL, BLADE DANGER ISO |
| 13 | YH475000090 | 3 | SPACER, .54 OD × .50" LG |
| 14 | YH468000110 | 1 | CAP, ROTOR SHAFT END CAP RENTAL |
| 15 | YH479001030 | 1 | SHIELD, LOWER |
| 16 | 99944300006 | 1 | WELDMENT, NARROW COARSE TAPERED |
| 17 | YH457000100 | 1 | ASSEMBLY, 3" NARROW ROTOR KNIVES |



| ITEM | PART NUMBER | QTY | DESCRIPTION |
|------|-------------|-----|-------------------------------------|
| 1 | YH436000020 | 2 | BOLT, 5/16 × 3/4 SERRATED FLANGE NF |
| 2 | YH436000060 | 4 | BOLT, 5/16 × 1-1/2 FLANGE NC |
| 3 | YH434000030 | 4 | BOLT, 5/16-18 × 1 GR5 CRG |
| 4 | YH469000060 | 1 | KEY, SQUARE 3/16" × 1-1/2" LG PLN |
| 5 | YH449000040 | 8 | NUT, 5/16-18 NYLOCK FLANGE |
| 6 | YH454000000 | 1 | BELT, 29" C/S |
| 7 | YH472000050 | 1 | PULLEY, CAST 4" OD 3/4" BORE B GR |
| 8 | - | 1 | ENGINE, 208cc 900 SERIES B&S |
| 9 | YH466000320 | 1 | GUIDE, BELT |
| 10 | YH479001430 | 1 | PLATE, ENGINE MOUNTING |



| ITEM | PART NUMBER | QTY | DESCRIPTION |
|------|-------------|-----|---------------------------------|
| 1 | YH468000490 | 1 | BUMPER, RUBBER |
| 2 | YH475000190 | 2 | SPACER, 0.5 × 1.00 |
| 3 | YH453000130 | 1 | ROLLER, 0.5 × 1.00 × 1.00 NYLON |
| 4 | YH472000070 | 1 | IDLER, INSIDE |
| 5 | YH451000480 | 1 | WASHER, 1/2 INCH NYLON |
| 6 | YH436000010 | 1 | BOLT, 5/16 × 3/4 FLANGE NC |
| 7 | YH436000030 | 1 | BOLT, 5/16 × 7/8 FLANGE NC |
| 8 | YH436000070 | 1 | BOLT, 5/16 × 1-3/4 FLANGE NC |
| 9 | YH451000460 | 1 | WASHER, 3/8 SAE FLAT ZP |
| 10 | YH434000050 | 4 | BOLT, 5/16 × 3/4 GR5 CRG NC ZP |
| 11 | YH434000090 | 1 | BOLT, 3/8 × 3-1/4 HEX HD GR5 ZP |
| 12 | YH449000040 | 7 | NUT, 5/16-18 NYLOCK FLANGE |
| 13 | YH449000050 | 1 | NUT, 3/8-16 NYLOCK FLANGE |
| 14 | YH476000170 | 1 | SPRING, 3/4" OD EXTENSION |
| 15 | YH475000070 | 1 | SPACER, 3/4" LONG IDLER TUBE |
| 16 | YH475000180 | 2 | SPACER, .50 × .25 |
| 17 | YH479001020 | 1 | SHIELD, UPPER |
| 18 | YH470000860 | 1 | HANDLE, ENGAGEMENT |
| 19 | YH475000250 | 1 | SPACER, 5/8 OD × 11 GA × 0.88 |
| 20 | YH479001600 | 1 | MOUNT, IDLER BRACKET |
| 21 | YH466000400 | 1 | BRACKET, IDLER 3 IN CHIPPER |



| ITEM | PART NUMBER | QTY | DESCRIPTION |
|------|-------------|-----|---|
| 1 | YH434000110 | 8 | BOLT, 5/16-18 × 3/4 SN GR5 CRG |
| 2 | YH451000070 | 3 | WASHER, 5/16" FENDER ZP |
| 3 | YH436000010 | 3 | BOLT, 5/16 × 3/4 FLANGE NC |
| 4 | YH436000050 | 4 | BOLT, 5/16 × 1 FLANGE NC |
| 5 | YH449000040 | 15 | NUT, 5/16-18 NYLOCK FLANGE |
| 6 | YH479000840 | 1 | BELTING, RENTAL HOPPER |
| 7 | YH479000950 | 1 | ASSEMBLY, NARROW RENTAL HOPPER W/ DECALS (includes Items 8, 9, 10, & 12). |
| 8 | YH653000180 | 1 | DECAL, BLADE DANGER ISO |
| 9 | YH653000190 | 1 | DECAL, SHREDDER SIZE ISO |
| 10 | YH653000670 | 1 | DECAL, ECHO |
| 11 | YH479000970 | 1 | HANDLE, RENTAL HOPPER |
| 12 | YH653000440 | 1 | DECAL, MODEL ECHO SC-2013 |