



PARTS CATALOG
21560056 2 Line Rapid
Loader Head

Accepts .095" to .155" Diameter Line

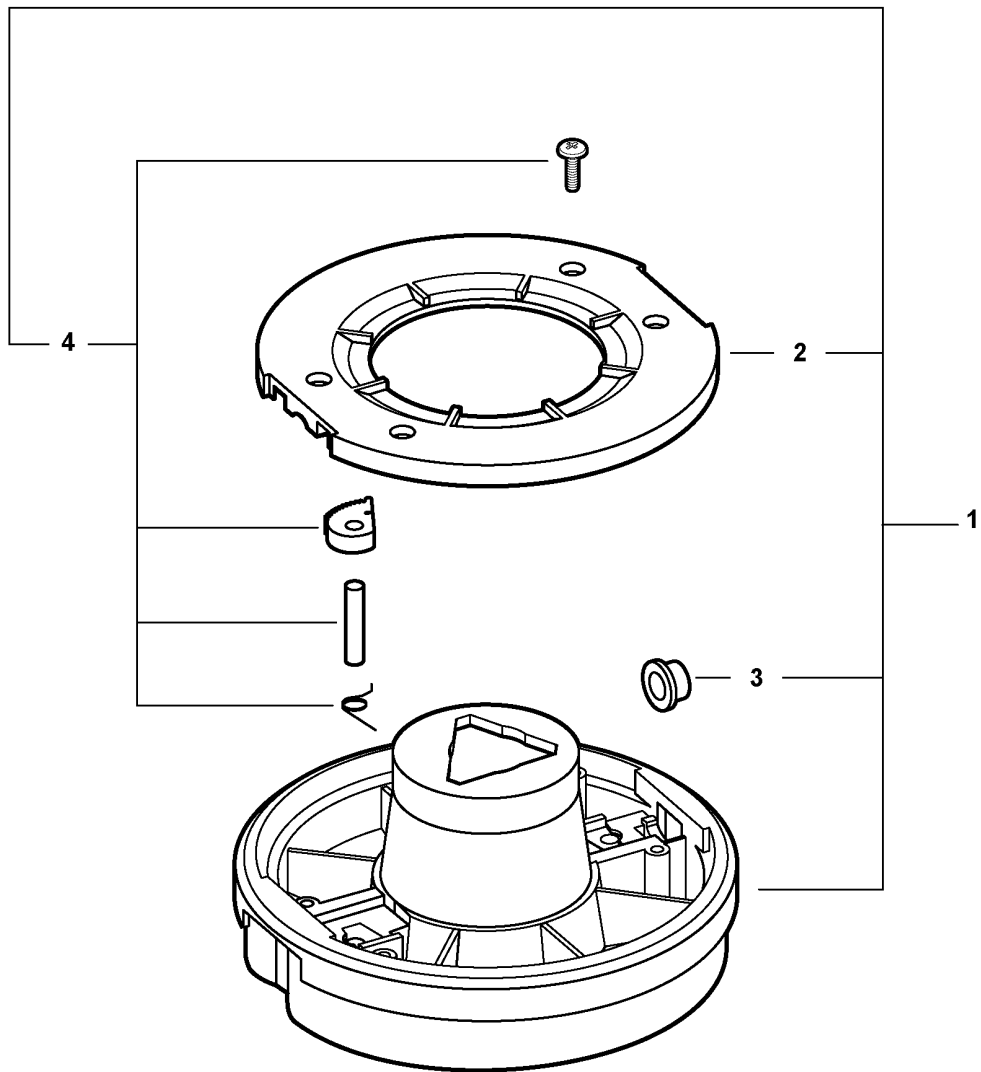
SERIAL NUMBERS

2-Line Rapid Loader Trimmer Head

ECHO, INCORPORATED

400 Oakwood Road Lake Zurich, Illinois 60047 USA

WWW.ECHO-USA.COM



900 0004 000

ITEM	PART NUMBER	QTY	DESCRIPTION	REMARKS
1	21560056	1	TWO LINE RAPID LOADER HEAD	INCLUDES ITEM 2-4
2	P022001070	1	COVER, TOP	
3	P022001080	1	EYELET	
4	P022001091	1	REPAIR KIT	INCLUDES 3 OF EACH
	P022001100	1	COLLET ASSORTMENT (7 PCS.)	NOT SHOWN
	P022001110	1	HARDWARE PACK	NOT SHOWN



ECHO, INCORPORATED

400 Oakwood Road
Lake Zurich, IL 60047 USA

WWW.ECHO-USA.COM
