



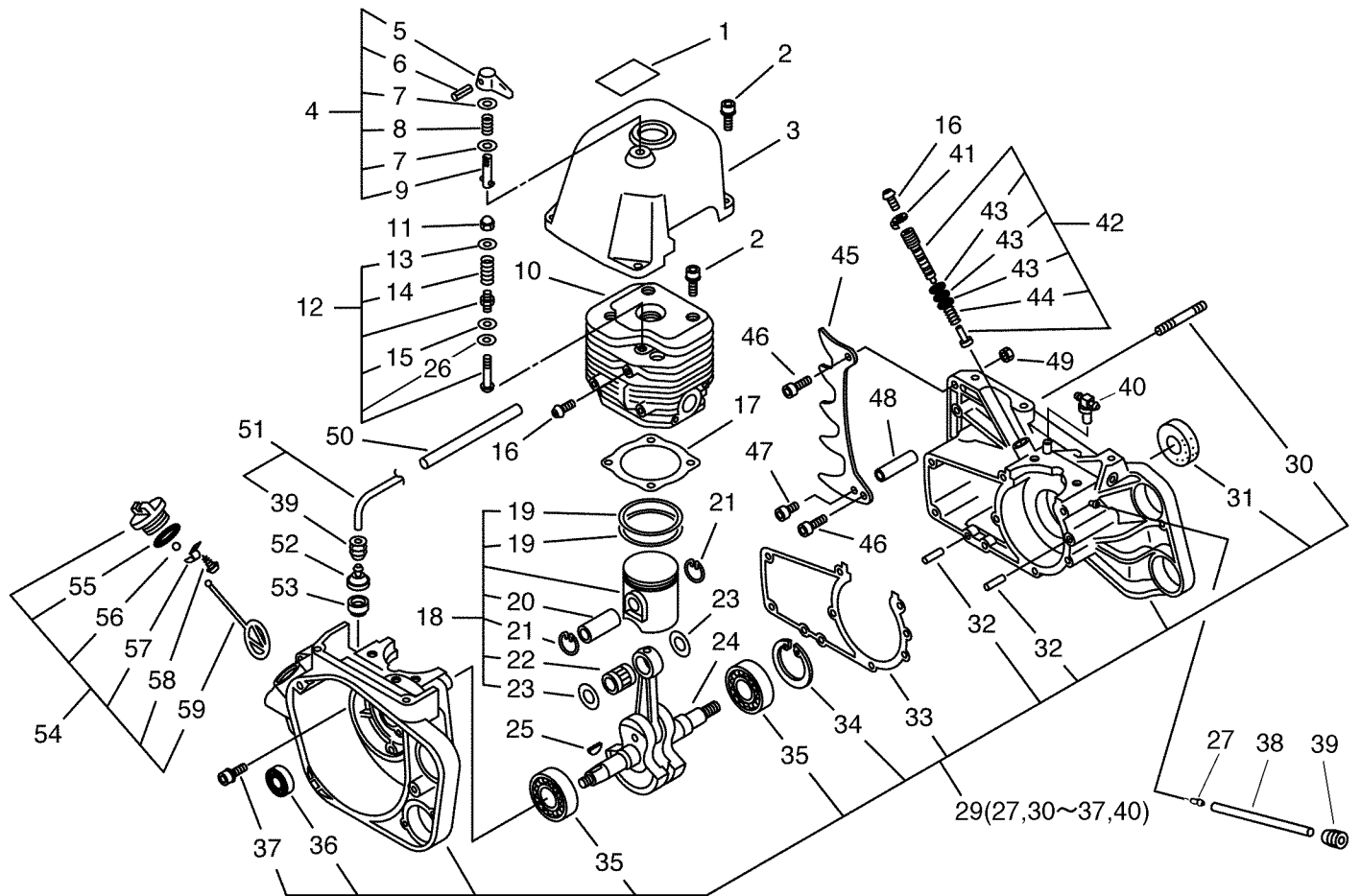
PARTS CATALOG

**SOUTH AMERICA
CHAIN SAW
CS-1201**

000001 - 999999

ECHO, INCORPORATED

400 OAKWOOD ROAD
LAKE ZURICH, ILLINOIS 60047
WWW.ECHO-USA.COM



CYLINDER, CRANKCASE, CYLINDER COVER

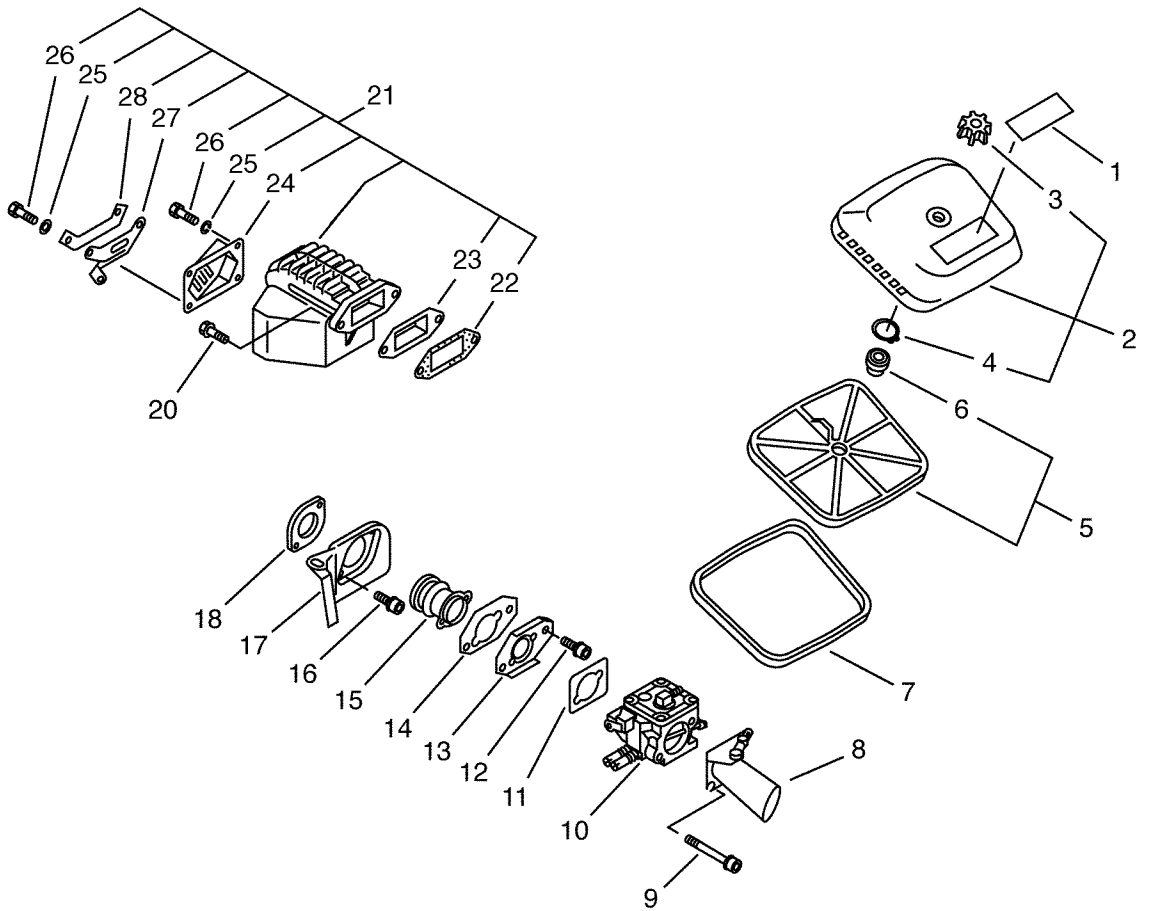
CS-1201

KEY	PART NUMBER	QTY	DESCRIPTION	REMARKS
1	89014916430	1	LABEL, COMP. RELEASE	
2	90016206025	7	BOLT, H.S. 6*25	
3	10151416432	1	COVER, CYLINDER	
4	17980532930	1	LEVER, COMP. RELEASE	
5	+ 17981516432	1	BUTTON, C, RELEASE	
6	+ 90034520014	1	PIN, SPRING 2*14	
7	+ 90060000005	2	WASHER 5	
8	+ 17981216431	1	SPRING	
9	+ 17980616431	1	SHAFT, COMP. RELEASE	
10	10101160730	1	CYLINDER	
11	40091200910	1	NUT, CAP 4	
12	10110016430	1	RELEASE ASSY, COMP.	
13	+ 10111402831	1	WASHER, COMP.R.VALVE	
14	+ 10111302830	1	SPRING, COMP.R.VALVE	
15	+ 10111212430	1	GASKET, V.SEAT 2.0	Sus. by 101112-02830
15	+ 10111202830	1	GASKET, V.SEAT (1.5)	
16	90022005010	2	SCREW 5*10	
17	10101016431	1	GASKET, CYL. BASE	
18	1000060730	1	PISTON KIT	
19	+ 10001116431	2	RING, PISTON	
20	+ 10001316430	1	PIN, PISTON	
21	+ 10001516430	2	CIRCLIP, PISTON PIN	
22	+ 10001216430	1	BEARING, NEEDLE	
23	+ 10001460730	2	SPACER, PISTON PIN	
24	10010060730	1	CRANKSHAFT ASSY	Sus. by 100100-60731
24	10010060731	1	CRANKSHAFT	
25	10014212330	1	KEY, WOODRUFF	
26	+ 10111232930	1	GASKET, V.SEAT (1.0)	
27	+ 13011312330	1	CONNECTER	
29	10020416430	1	CRANKCASE KIT	
30	+ 43301116430	2	STUD, GUIDE BAR	
31	+ 10021216431	1	OILSEAL	
32	+ 10021502830	2	PIN, DOWEL	
33	+ 10024216430	1	GASKET, CRANKCASE	
34	+ 90070200047	1	CIRCLIP 47	
35	+ 90081006204	2	BEARING, BALL 6204	
36	+ 10021316430	1	OILSEAL	
37	+ 90016206030	8	BOLT, H.S. 6*30	
38	13011016430	1	PIPE, IMPULSE	
39	13211512330	1	GROMMET	
39	+ 13211512330	1	GROMMET	
40	+ 43720114730	1	CONNECTOR KIT	

CYLINDER, CRANKCASE, CYLINDER COVER

CS-1201

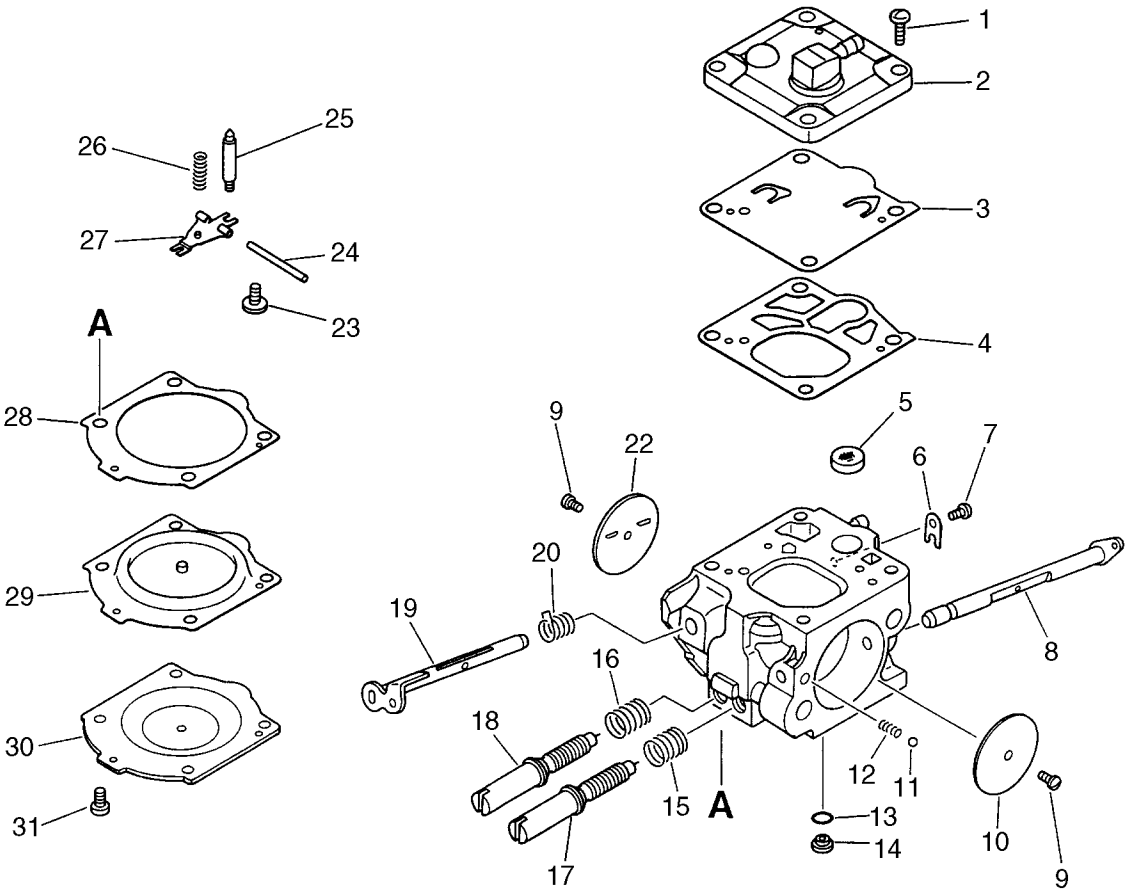
KEY	PART NUMBER	QTY	DESCRIPTION	REMARKS
41	43705911133	1	LOCKWASHER	
42	43700016430	1	AUTO-OILER ASS'Y	
43	+ 43702002830	3	O-RING (S-5)	
44	+ 43701902830	1	SPRING, OILER	
45	88021016431	1	BUMPER, SPIKED	
46	90010506020	2	BOLT, H.S. 6*20	
47	90016205014	1	BOLT, H.S. 5*14	
48	43302616430	1	CATCHER, CHAIN	
49	14571300630	2	LOCKNUT 6	
50	43741216430	1	TUBE, PROTECTOR	
51	43720516430	1	PIPE	
52	43620514730	1	STRAINER, OIL	
53	43621216431	1	COVER, OIL STRAINER	
54	43600160730	1	CAP ASSY, OIL TANK	
55	+ 90072000025	1	O-RING 25	
56	+ 43602402830	1	VALVE, BALL	
57	+ 13105019830	1	RETAINER, LINK	
58	+ 90024603008	1	SCREW 3*8	
59	+ 13105119830	1	LINK	



INTAKE, EXHAUST

CS-1201

KEY	PART NUMBER	QTY	DESCRIPTION	REMARKS
1	89015160730	1	LABEL, MODEL	
2	13030216430	1	COVER ASSY, AIR CLN	
3	+ 13040600330	1	NUT, THUMB	
4	+ 90070100011	1	CIRCLIP 11	
5	13030516430	1	FILTER, AIR	
6	+ 13031216430	1	GASKET, AIR CLEANER	
7	13033116430	1	SEAL, AIR CLEANER	
8	13071416430	1	ADAPTER, INTAKE	
9	90016205050	2	BOLT, H.S. 5*50	
10	12200032930	1	CARBURETOR ASSY - TILLOTSON	
11	13003716430	1	SPACER	
12	90016205014	2	BOLT, H.S. 5*14	
13	13001316431	1	ADAPTER, CARBURETOR	
14	13001232930	1	SEAL, DUST	
15	13051016431	1	BELLOWS, INTAKE	
16	90016205020	2	BOLT, H.S. 5*20	
17	13001116430	1	PLATE, WIND PROOF	
18	13051214731	1	HOLDER	
20	90010606025	2	BOLT, H.S. 6*25	
21	14560016430	1	MUFFLER ASSY	
22	+ 14551016431	1	GASKET, EXHAUST	
23	+ 14563316430	1	DIFFUSER, EXH. PORT	
24	+ 14581814730	1	PLATE, EXHAUST	
25	+ 17851600830	4	SPACER	
26	+ 90015005015	4	BOLT 5*15	
27	+ 14572016431	1	BRACKET	
28	+ 14564216431	1	WASHER	



CARBURETOR

CS-1201

KEY	PART NUMBER	QTY	DESCRIPTION	REMARKS
	12200032930	1	CARBURETOR ASSY - TILLOTSON	
1	+ 12211000231	4	SCREW	
2	+ 12212414730	1	COVER, FUEL PUMP	
3	+ 12212500230	1	GASKET, PUMP	
4	+ 12211200230	1	DIAPHRAGM, PUMP	
5	+ 12212600230	1	SCREEN, FUEL	
6	+ 12212700230	1	CLIP, THROTTLE SHAFT	
7	+ 12211400231	1	SCREW	
8	+ 12213132930	1	SHAFT, CHOKE	
9	+ 12214400231	2	SCREW & LOCKWASHER	
10	+ 12213210630	1	BUTTERFLY, CHOKE	
11	+ 12213600230	1	BALL, CHOKE SET	
12	+ 12213500230	1	SPRING, CHOKE SET	
13	+ 12214500230	1	PLUG, WELCH (L)	
14	+ 12214732930	1	VALVE, CHECK	
15	+ 12211910630	1	SPRING, NEEDLE	
16	+ 12212110630	1	SPRING, NEEDLE	
17	+ 12212032930	1	NEEDLE, HIGH SPEED	
18	+ 12211832930	1	NEEDLE, IDLE	
19	+ 12211732930	1	SHAFT, THROTTLE	
20	+ 12211332930	1	SPRING, RETURN	
22	+ 12211632930	1	VALVE, THROTTLE	
23	+ 12213900231	1	SCREW	
24	+ 12213800230	1	SHAFT, LEVER	
25	+ 12213700230	1	NEEDLE, INLET	
26	+ 12212200230	1	SPRING, TENSION	
27	+ 12212300230	1	LEVER, INLET CONTROL	
28	+ 12214000230	1	GASKET, DIAPHRAGM	
29	+ 12214100230	1	DIAPHRAGM	
30	+ 12214214730	1	COVER, DIAPHRAGM	
31	+ 12214400231	4	SCREW & LOCKWASHER	

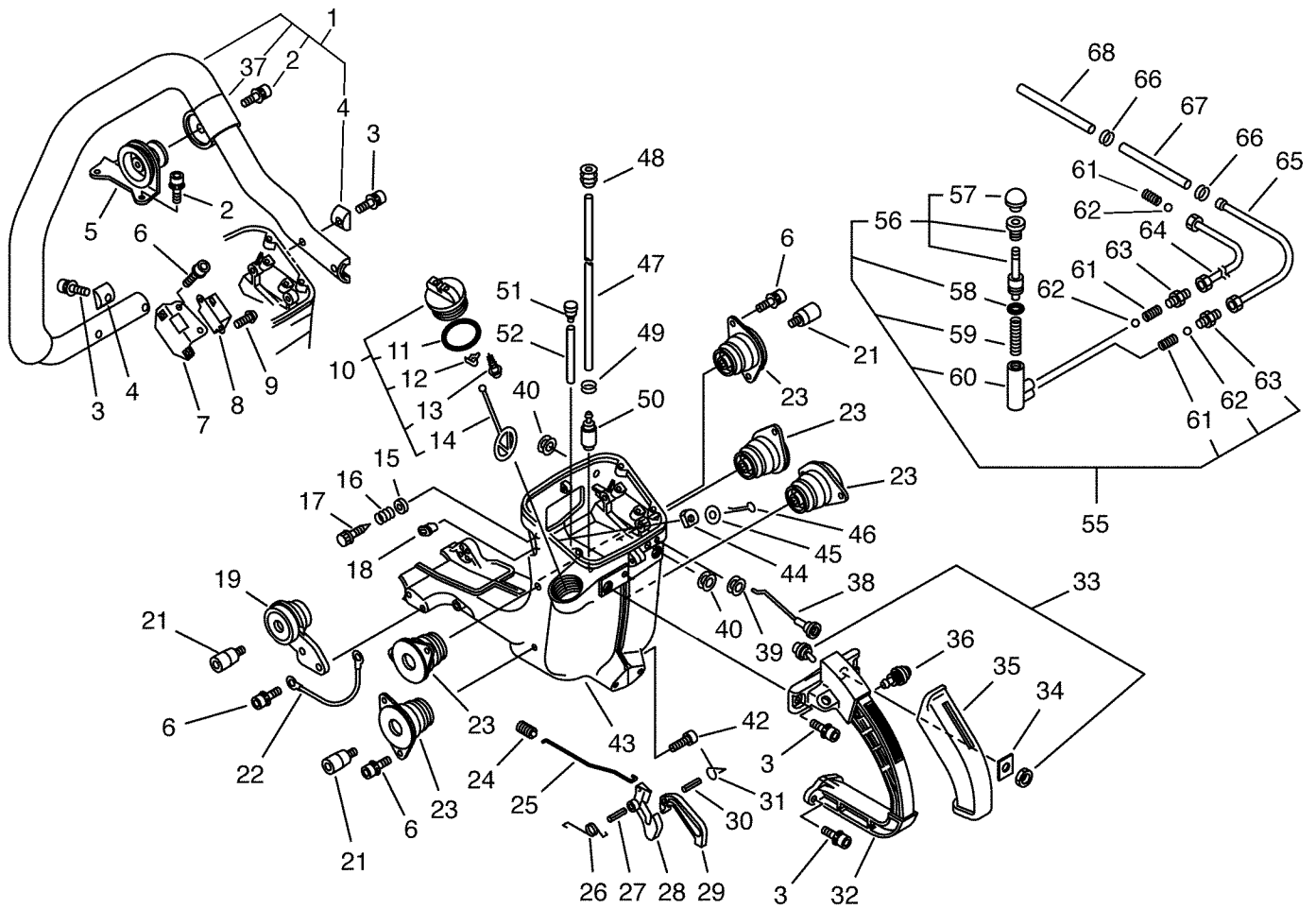
IGNITION, STARTER ASSEMBLY

CS-1201

KEY	PART NUMBER	QTY	DESCRIPTION	REMARKS
1	43741216430	1	TUBE, PROTECTOR	
2	15901216430	1	CAP, SPARK PLUG	
3	15901103432	1	COIL, SPARK PLUG CAP	
4	15901716431	1	PLUG, SPARK (CJ-6Y)	
5	16202160730	1	LEAD	
6	16201060730	1	LEAD, GROUND	
7	15011200310	1	BUSHING	
8	15011716430	2	SPACER	
9	15262660730	1	COIL, IGNITION	
10	90016205025	2	BOLT, H.S. 5*25	
11	10014412331	1	NUT	
12	10014600310	1	WASHER (C-R)	
13	15280060730	1	ROTOR, MAGNETO	
20	17723414730	2	SPRING, RETURN	
21	90060000006	4	WASHER 6	
22	17724702830	2	SPACER, RATCHET	
23	17721802830	2	RATCHET	
24	90010006016	2	BOLT 6*16	
26	17720016431	1	STARTER ASS'Y (BS)	
27	+ 90016705014	1	BOLT, H.S. 5*14	
28	+ 30021700610	1	WASHER	
29	+ 17724610631	1	CLIP, STARTER ROPE	
30	+ 90024204012	2	SCREW 4*12	
31	+ 17724302833	1	CATCHER, PAWL	
32	+ 17722614730	1	ROPE, STARTER	
33	+ 17721510632	1	DRUM, STARTER	
34	+ 17721610630	1	COLLAR	
35	+ 17724214730	1	PLATE, STARTER	
36	+ 17722010631	1	SPRING, REWIND	
37	+ 17722110630	1	PLATE, STARTER	
38	+ 17722916430	1	WASHER	
39	+ 17722816430	1	GRIP, STARTER	
40	+ 17722710630	1	GUIDE, ROPE	Sus. by 177227-07060
40	+ 17722707060	1	GUIDE, ROPE	
41	10152216430	2	PIN, DOWEL	
42	90016206025	3	BOLT, H.S. 6*25	
43	89011238130	1	LABEL, ECHO	Sus. by 890118-17930
43	89011817930	1	LABEL, ECHO	
44	15061114730	1	TUBE	

CS-1201

HANDLES, FUEL SYSTEM, THROTTLE CONTROL



HANDLES, FUEL SYSTEM, THROTTLE CONTROL

CS-1201

KEY	PART NUMBER	QTY	DESCRIPTION	REMARKS
1	35160405260	1	HANDLE, FRONT	
2	+ 90016206020	1	BOLT, H.S. 6*20	
2	+ 90016206020	3	BOLT, H.S. 6*20	
3	90016206025	8	BOLT, H.S. 6*25	
4	+ 35161116430	4	WASHER	
5	35160516430	1	CUSHION	
6	90016205014	14	BOLT, H.S. 5*14	
7	15261560730	1	BRACKET, MODULE	
8	15260560730	1	MODULE, E.S.G.	
9	90024205010	2	SCREW 5*10	
10	13100460730	1	CAP ASSY, FUEL TANK	
11	+ 90072000032	1	O-RING 32	
12	+ 13105019830	1	RETAINER, LINK	
13	+ 90024603008	1	SCREW 3*8	
14	+ 13105119830	1	LINK	
15	90060000004	1	WASHER 4	
16	12902014730	1	SPRING	
17	12901314730	1	SCREW, IDLE ADJUST.	
18	12901014730	1	GROMMET	
19	10091716430	1	CUSHION	
21	10091516430	6	FASTENER, CUSHION	
22	16201014732	1	LEAD, GROUND	
23	10091016430	5	CUSHION	
24	17821105260	1	GROMMET	
25	17801116430	1	ROD, THROTTLE	
26	17804316430	1	SPRING, THR. RETURN	
27	90034250025	1	PIN, SPRING 5*25	
28	17801005260	1	CONTROL, THROTTLE	
29	17809016430	1	LOOKOUT, T. CONTROL	
30	90034240018	1	PIN, SPRING 4*18	
31	17809116430	1	SPRING	
32	35111016431	1	HANDLE	
33	16340019830	1	SWITCH, IGNITION	
34	89015716430	1	LABEL, SWITCH	
35	35111116430	1	GRIP, REAR HANDLE	
36	17830212330	1	LATCH, THROTTLE	
37	+ 35161305260	1	SUPPORTER, F.HANDLE	
38	17851016430	1	ROD, CHOKE CONTROL	
39	17881002830	1	GROMMET	
40	15611406330	2	BUSHING	
42	+ 90010505014	4	BOLT, H.S. 5*14	
43	13100260732	1	TANK SET, FUEL	
44	13141000330	1	PACKING, FELT	

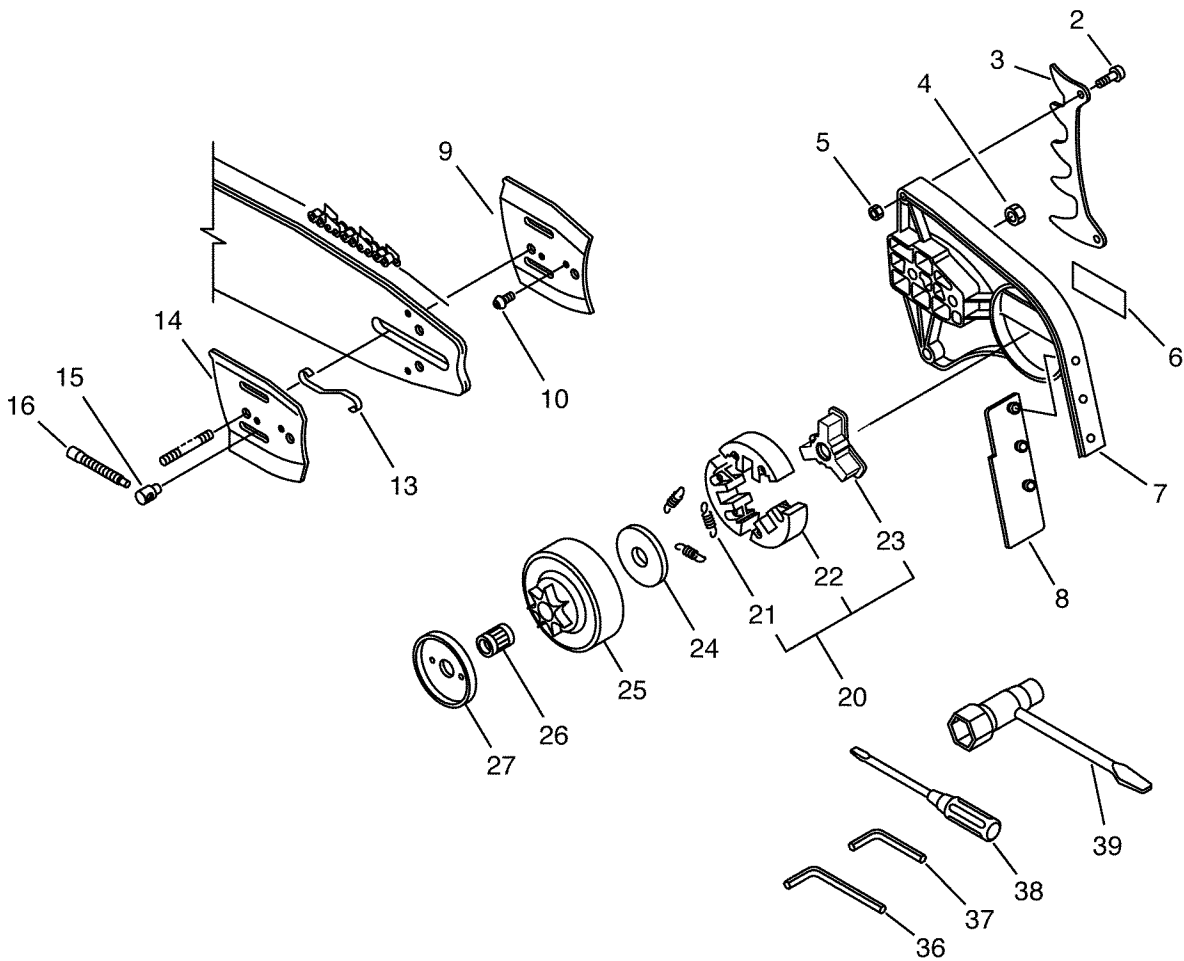
HANDLES, FUEL SYSTEM, THROTTLE CONTROL

CS-1201

KEY	PART NUMBER	QTY	DESCRIPTION	REMARKS
45	90060000002	1	WASHER 2	
46	90030020015	1	PIN, SPLIT 2*15	
47	13201005260	1	PIPE 3* 6*360	
48	13211512330	1	GROMMET	
49	13201326630	1	CLIP	
50	13120519830	1	STRAINER, FUEL	
51	13130016430	1	VENT ASS'Y, FUEL	
52	13131216430	1	PIPE, VENT	
55	43710016430	1	PUMP ASS'Y, OIL	
56	+ 43710114730	1	PISTON, OIL PUMP	
57	++43711914731	1	BUTTON, PUSH	
58	+ 90072000006	1	O-RING 6	
59	+ 43711100231	1	SPRING, OIL PUMP	
60	+ 43710216430	1	BODY ASS'Y, OIL PUMP	
61	++43701300330	2	SPRING, VALVE	
61	+ 43701300330	2	SPRING, VALVE	
62	++43701200330	2	VALVE, BALL	
62	+ 43701200330	2	VALVE, BALL	
63	++43705200330	2	CONNECTOR	
64	43720616430	1	PIPE	
65	43720732930	1	PIPE	
66	43722116430	2	CLIP	
67	43721116431	1	PIPE	
68	43741216430	1	TUBE, PROTECTOR	

CS-1201

CLUTCH, CHAIN BRAKE ASSEMBLY



CLUTCH, CHAIN BRAKE ASSEMBLY

CS-1201

KEY	PART NUMBER	QTY	DESCRIPTION	REMARKS
2	90010506020	2	BOLT, H.S. 6*20	
3	88021016431	1	BUMPER, SPIKED	
4	43301910631	2	NUT, FLANGE	
5	14571300630	2	LOCKNUT 6	
6	89011835030	1	LABEL, ECHO	
7	43302116430	1	GUARD, SPROCKET	
8	43302516430	1	PAD	
9	43301216430	1	PLATE, GUIDE (OUTER)	
10	90022003006	2	SCREW 3*6	
13	43303516430	1	HOLDER, PLATE	
14	43301316430	1	PLATE, GUIDE (INNER)	
15	43301416430	1	TENSIONER	
16	43301616430	1	SCREW, TENSIONER	
20	17500060730	1	CLUTCH ASSY	
21	+ 17501860730	3	SPRING, CLUTCH	
22	+ 17500260730	1	SHOE SET, CLUTCH	
23	+ 17501660730	1	HUB, CLUTCH	
24	17501960130	1	PLATE, CLUTCH	
25	17500660730	1	DRUM, CLUTCH (.404)	
26	17501260730	1	BEARING, NEEDLE	
27	17501560730	1	WASHER	
36	89561100330	1	L-WRENCH (5MM)	
37	89561000130	1	L-WRENCH (4MM)	
38	89581100130	1	DRIVER, SCREW 125	
39	89541010630	1	WRENCH, W/S. DRIVER	