



Accessories for ECHO products can be found at:

Los accesorios para los productos ECHO se pueden encontrar en:

www.echo-usa.com/products/catalogs

Fits all PPT models

Adapta a todos los modelos de PPT



PARTS CATALOG
LISTA DE PIEZAS

99946400023

4' Power Pruner Extension

1.2 m Extensión para la
podadora de altura



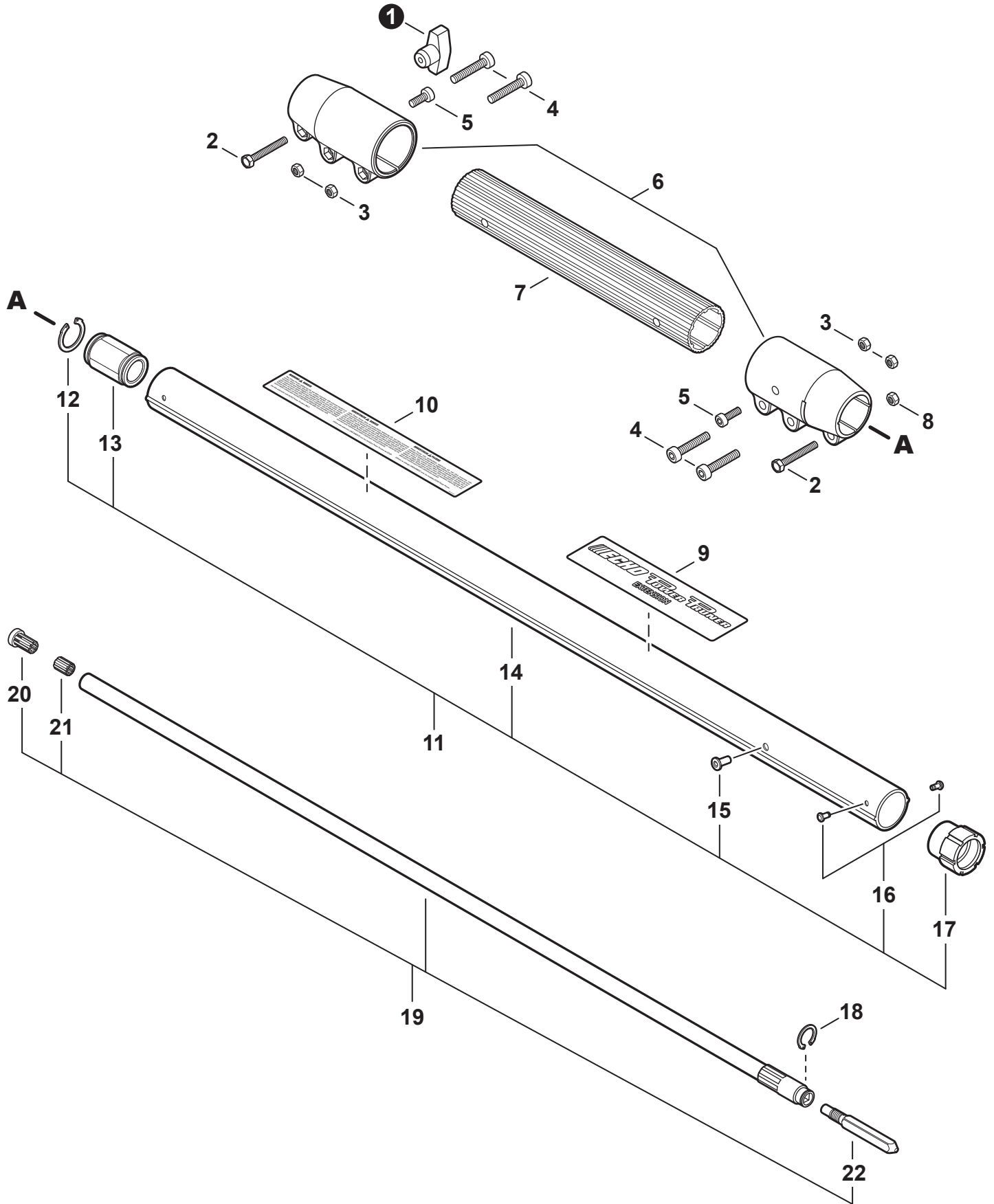
ECHO, INCORPORATED

400 Oakwood Road, Lake Zurich, Illinois 60047

WWW.ECHO-USA.COM

©2015 ECHO, Incorporated. All Rights Reserved

P/N 99922200687
REVISED 07/24/15





| NO. | PART NUMBER | QTY. | DESCRIPTION | DESCRIPCIÓN |
|-----------|-------------------|----------|-------------------------|----------------------------------|
| 1 | V299000321 | 1 | THUMBSCREW | TORNILLO DE OREJETAS |
| 2 | 90010006025 | 2 | BOLT 6×25 | PERNO 6×25 |
| 3 | 90050000005 | 4 | NUT 5 | TUERCA 5 |
| 4 | V253000230 | 4 | BOLT 5×20 | PERNO 5×20 |
| 5 | 90010505012 | 2 | BOLT 5×12 | PERNO 5×12 |
| 6 | C510000280 | 2 | COUPLING | ACOPLAMIENTO |
| 7 | C500000411 | 1 | PIPE, MAIN | TUBO PRINCIPAL |
| 8 | 90050000006 | 1 | NUT, HEX M6 | TUERCA HEXAGONAL 6M |
| 9 | X547001550 | 1 | LABEL, ECHO | ETIQUETA ECHO |
| 10 | 89007522761 | 1 | LABEL, CAUTION | ETIQUETA DE PRECAUCIÓN |
| 11 | C050001410 | 1 | MAIN PIPE ASSY | MONTAJE DE TUBO PRINCIPAL |
| 12 | 61033522460 | 3 | +RING, RETAINING | +ANILLO DE RETENCIÓN |
| 13 | C316000010 | 3 | +GUIDE, SHAFT | +GUÍA DE EJE |
| 14 | C500000370 | 1 | +MAIN PIPE | +TUBO PRINCIPAL |
| 15 | 89001122460 | 1 | +RIVET | +REMACHE |
| 16 | 89001122360 | 2 | +RIVET | +REMACHE |
| 17 | C503000080 | 1 | +HOLDER ASSY, BEARING | +MONTAJE DE SOPORTE DE COJINETE |
| 18 | 10022922460 | 1 | RING, RETAINING | ANILLO DE RETENCIÓN |
| 19 | C504000481 | 1 | DRIVESHAFT ASSY | MONTAJE DE EJE DE MANDO |
| 20 | C509000080 | 1 | +SOCKET - OUTER | +CAVIDAD - EXTERIOR |
| 21 | C509000090 | 1 | +SOCKET - INNER | +CAVIDAD - INTERIOR |
| 22 | 61002522361 | 1 | +CONNECTOR, DRIVE SHAFT | +CONECTOR DE EJE DE TRANSMISIÓN |