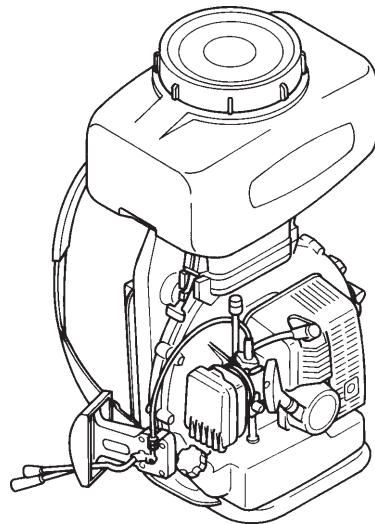


**ECHO**<sup>®</sup>

**GB** ENGLISH  
(Original instructions)

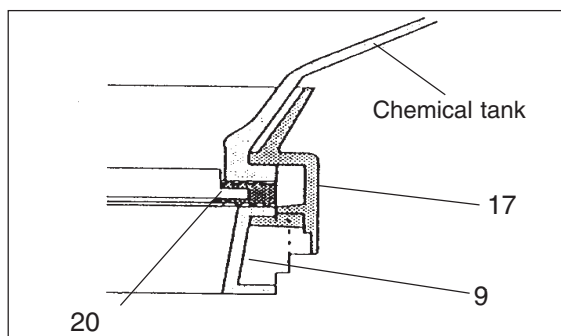
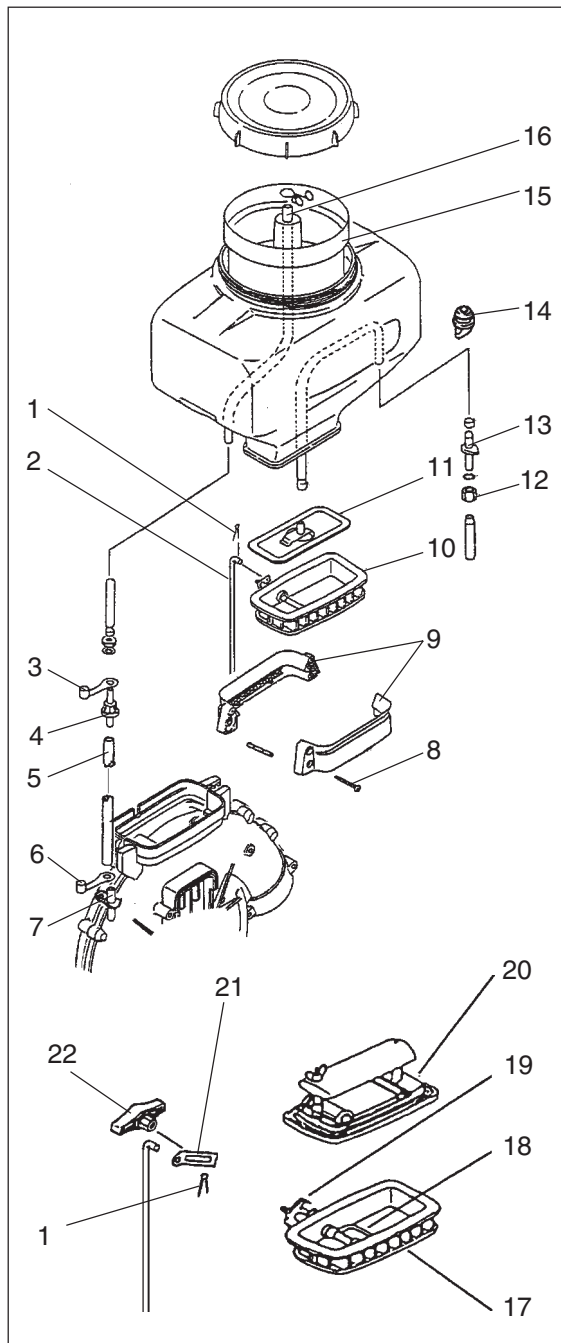


**INSTALLING DUSTING  
DEVICE  
KNAPSACK TYPE  
MONTAGE DU  
DISPOSITIF DE  
POUDRAGE  
MONTAGGIO  
DELL'ATOMIZZATORE  
DMAD-4610**

**CE**

# ASSEMBLING

## INSTALLING DUSTING DEVICE



1. Remove Snap pin (1) and Control lever rod (2) from Lower tank (10). Keep Snap pin (1) for dusting device.
2. Remove Pipe (5 ) from Chemical tank and Fan case. Plug two Pipe connectors (4, 7) with rubber Plugs (3, 6).
3. Remove Chemical tank assembly from the body.
4. Loosen four screws (8) and separate Chemical tank holders (9).
5. Loosen Hollow nut (12) and remove Outlet nipple (13) from Chemical tank. Plug the hole with rubber plug (14).
6. Remove the Pipe (16) from Chemical tank cap, and Tank bottom plate (11), Pipes, Filter (15) and related parts from the Chemical tank. Keep these parts for misting device.

7. Remove two screws fastening Shutter arm (18) to Shutter shaft (19).
8. Engage the Shutter arm (18) with hook of Shutter (20). Rotate the Shutter shaft (19) to prevent the plate on the end of Shutter shaft (19) from interference when assembling Chemical tank holders (9).
9. Pile up Chemical tank flange, shutter (20) and Lower tank assembly (17), then hold with Chemical tank holders (9) as shown and tighten four screws (8).

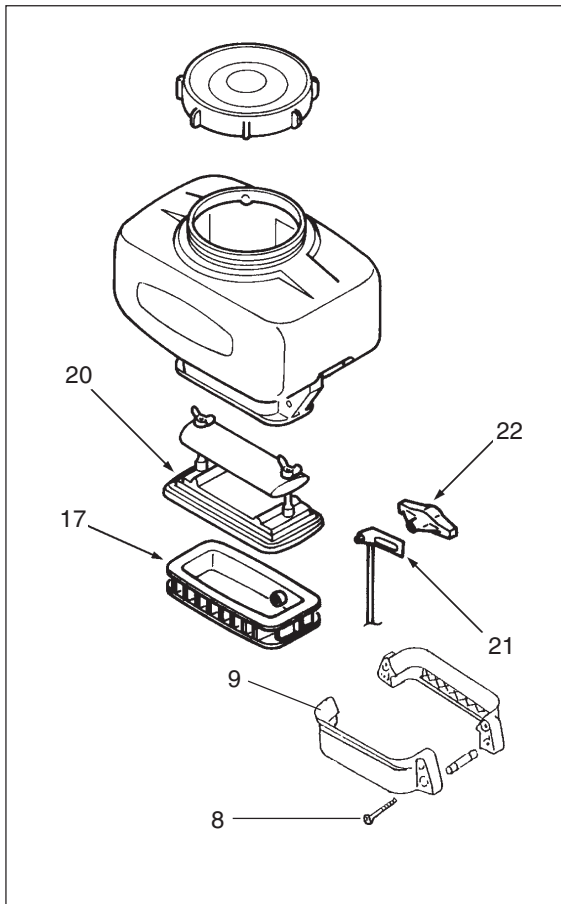
**Note:**

For easier installation, set the chemical tank upside down then put the Shutter assembly (20) and Lower tank assembly (17) on the Chemical tank flange then assemble tank holders.

10. Locate the screw holes with Shutter arm (18) turning the Shutter shaft (19) and tighten the Shutter arm (18) with two screws.
11. Install Chemical tank assembly to the body.
12. Refer to page 3, set the Shutter control arm (21) and tighten with Nut (22).

## DUSTING

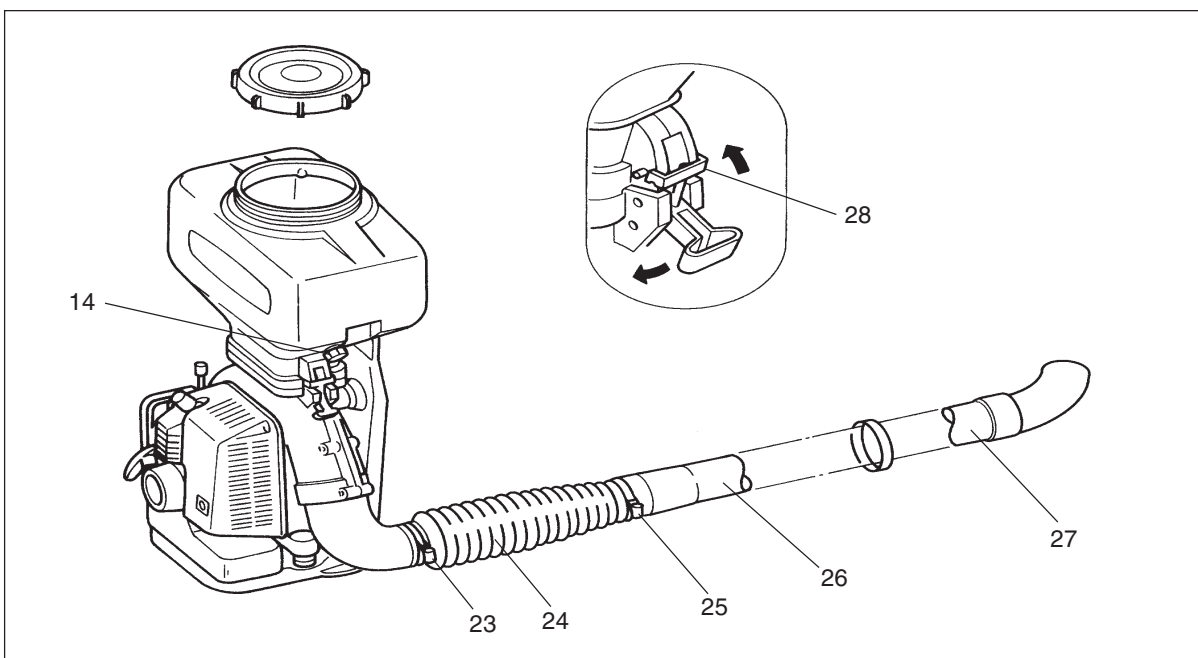
### Chemical tank assembly



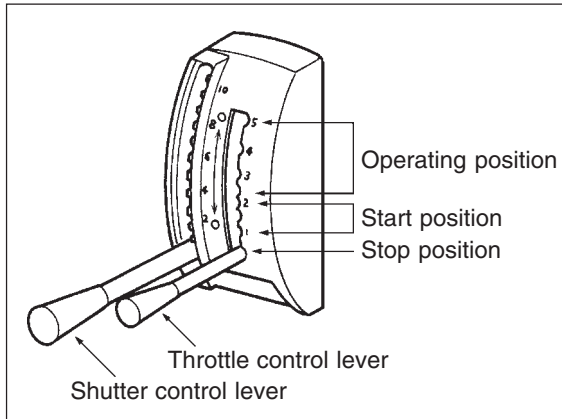
### DUSTING PARTS

- 8. Screw
- 9. Holder
- 14. Plug
- 17. Bracket
- 20. Shutter assembly
- 21. Shutter control arm
- 22. Nut
- 23. Clamp
- 24. Flexible pipe
- 25. Clamp
- 26. Straight pipe
- 27. Straight pipe
- 28. Hook

### Pipe connection



# OPERATING DUSTER



## FILLING CHEMICAL TANK

1. Close shutter assembly by setting shutter control lever down to bottom position.
2. Fill tank with chemicals.
3. Secure tank cap firmly to avoid chemical leakage.

### NOTE

Be sure that shutter control lever is in the bottom position before starting the engine.

## THROTTLE CONTROL LEVER POSITION

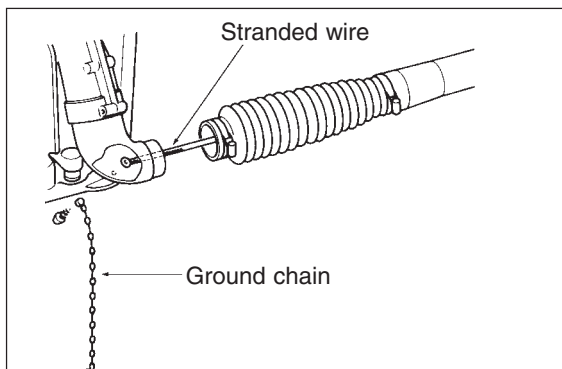
Make sure that shutter assembly is closed and set throttle lever to operating position. (Set throttle lever to intermediate position or position 2 - 5).

## ADJUSTING DISCHARGE VOLUME

Shutter control arm position	Application	
	<b>Fertilizer</b> Shutter opens fully by placing shutter control lever in the top position for maximum volume discharge.	
	<b>Powder/granule</b> Shutter opens partially by placing shutter control lever in the top position for medium to small volume discharge.	

### NOTE

Fine adjustments can be made by shutter control lever position as required.



## STATIC ELECTRICITY

In a certain condition, when operating dust blower, you may feel shock of static electricity. Static electricity itself does not affect your health but stings uncomfortably.

Optional ground chain and stranded wire are available through your ECHO dealer for eliminating static electricity.

# MEMORANDUM



# MEMORANDUM



# **YAMABIKO CORPORATION**

7-2 SUEHIROCHO 1-CHOME, OHME, TOKYO 198-8760, JAPAN  
PHONE: 81-428-32-6118. FAX: 81-428-32-6145.



## **Manufacturer**

### **YAMABIKO CORPORATION**

7-2 SUEHIROCHO 1-CHOME, OHME, TOKYO 198-8760, JAPAN

## **Authorized Representative in Europe**

### **Atlantic Bridge Limited**

Atlantic House, PO Box 4800, Earley, Reading RG5 4GB, United Kingdom

GB 898615-15611  
X750102-4501

© 2000 YAMABIKO CORPORATION